

BUSTER+PUNCH

LONDON

[product.]

FORKED PENDANT / SHADE

[type. **PENDANT LIGHT.**]

[detail. **FORKED.**]

[process. **ROUGH-CAST.**]

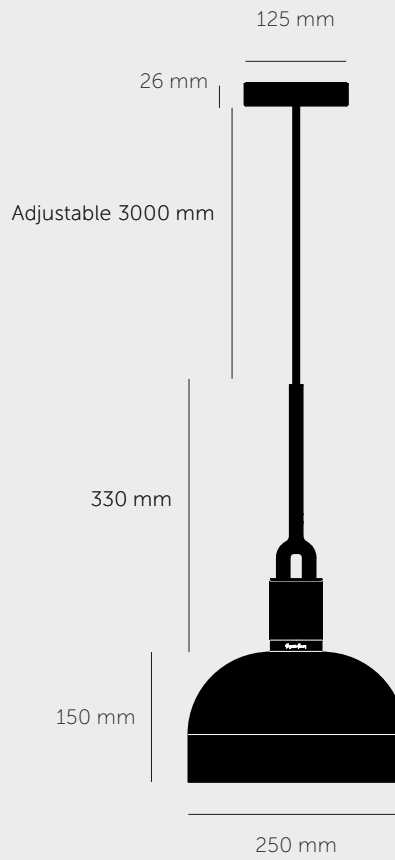
[region. **UK + EUROPE + AUSTRALIA.**]

A light pendant made from cast and machined metal, featuring our signature diamond-cut linear knurl pattern and fork detailing, refined by hand. Its shade is made from hand-spun metal.



[size. **MEDIUM.**]

[info. **MEASUREMENTS.**]



[info. **SPECIFICATIONS.**]

Pendant light

1x solid metal lamp holder

Adjustable 3000 mm cable

E27 / 220-240 VAC / IP20

Max 7.5W

Bulb included

CB Certified / Class 1

1x solid metal light shade

[info. **FINISH & SKU NUMBERS.**]

[finish.]

[EU + ANZ.]

[UK.]

Steel

RFP-833105

GFP-833105

Burnt Steel

RFP-893125

GFP-893125

Brass

RFP-813095

GFP-813095

[info. **CARE INSTRUCTIONS.**]

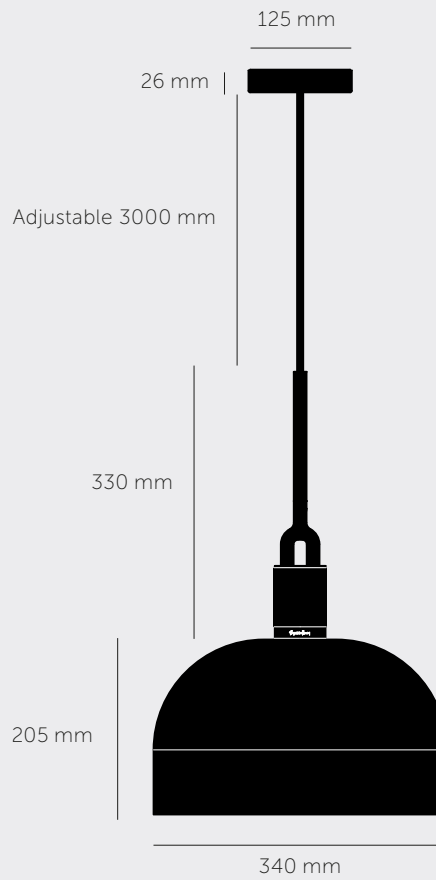
Wipe with damp cloth with no loose hairs, avoid using any chemicals. All finishes are prone to ageing.

[please. **NOTE.**]

DISCLAIMER: Always consult a trade professional when installing this light. Buster + Punch is not responsible for the usage or feasibility of installation requirements. This product is not suitable for damp or wet environments.

[size. **LARGE.**]

[info. **MEASUREMENTS.**]



[info. **SPECIFICATIONS.**]

Pendant light

1x solid metal lamp holder

E27 / 220-240 VAC / IP20

Max 7.5W

Bulb included

CB Certified / Class 1

1x solid metal light shade

[info. **FINISH & SKU NUMBERS.**]

[finish.]

[EU + ANZ.]

[UK.]

Steel

RFP-833106

GFP-833106

Burnt Steel

RFP-893126

GFP-893126

Brass

RFP-813096

GFP-813096

[info. **CARE INSTRUCTIONS.**]

Wipe with damp cloth with no loose hairs, avoid using any chemicals. All finishes are prone to ageing.

[please. **NOTE.**]

DISCLAIMER: Always consult a trade professional when installing this light. Buster + Punch is not responsible for the usage or feasibility of installation requirements. This product is not suitable for damp or wet environments.