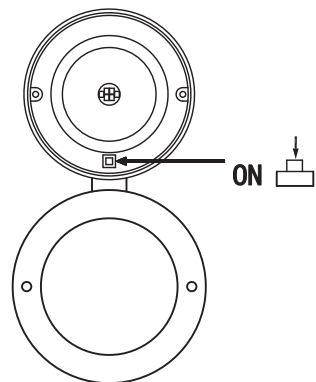


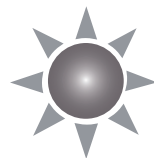
Art.no 482-89

FIRST USE

STEP 1.



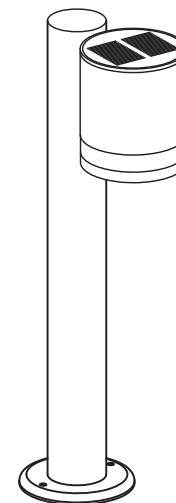
STEP 2.



(ON)

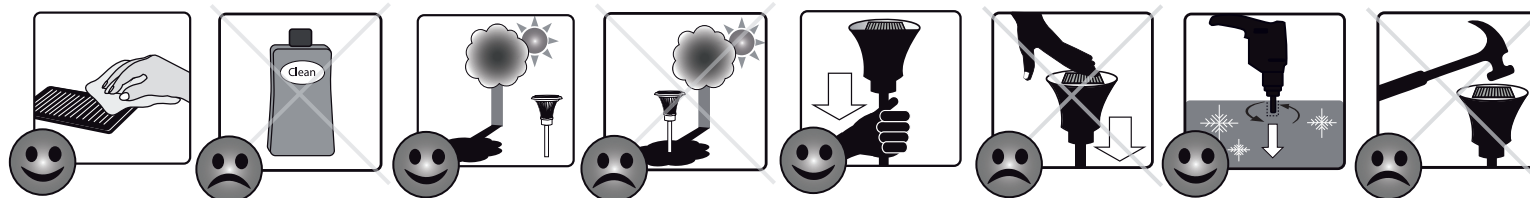
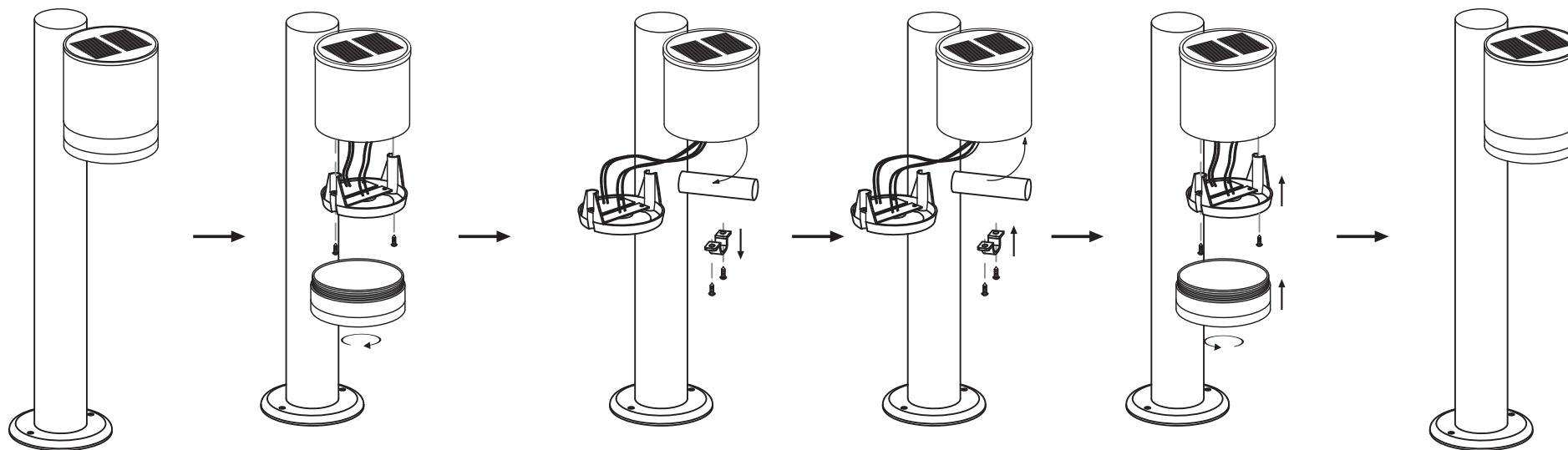


(OFF)



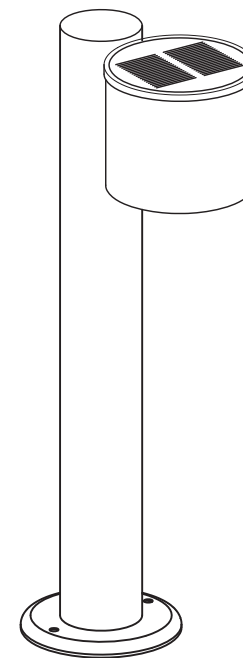
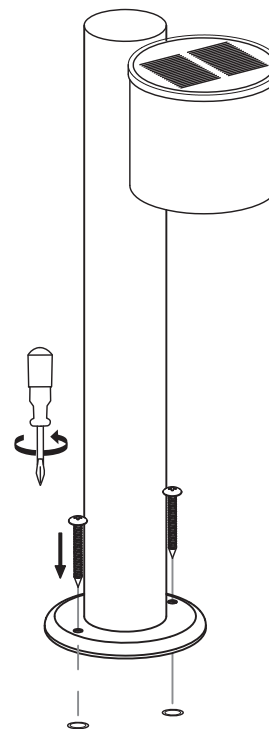
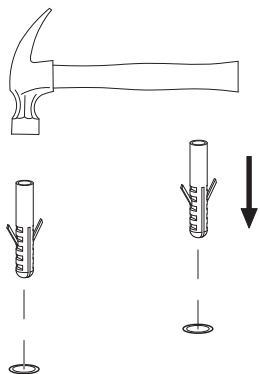
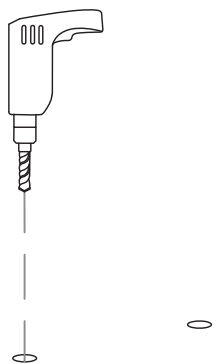
Ready after
36 h in the sun

BATTERY REPLACEMENT



STAR[®]
TRADING
STAR STREET 1
512 50 SVENLJUNGA
SWEDEN
www.startrading.com

 x 2  x 2



STAR[®]
TRADING
STAR STREET 1
512 50 SVENLJUNGA
SWEDEN
www.startrading.com