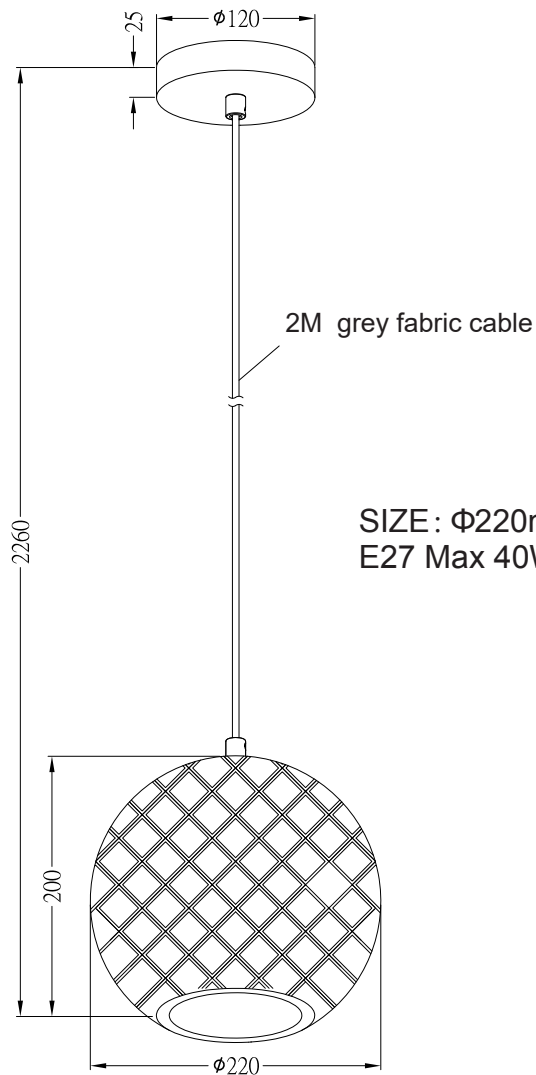


# IT'S ABOUT RoMi<sup>®</sup>

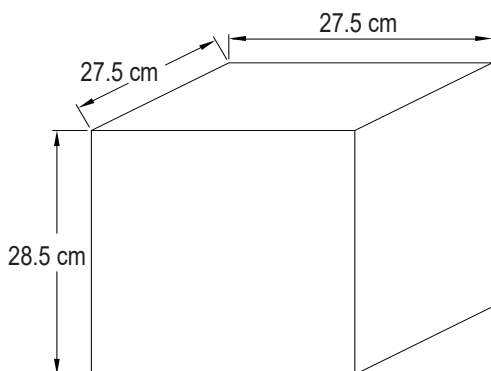
A M S T E R D A M

↳ Technical drawing & packing details

## VENICE HANGING LAMP ( VENICE/H20/C ) ( VENICE/H20/GR )



SIZE :  $\phi 220$ mm x H2260 mm Max.  
E27 Max 40W or 6W LED.



## PACKING DETAILS

Box Size: 27.5 x 27.5 x 28.5 cm

Total cbm: 0.0216

G.W: 2.2 kgs

N.W: 1.4 kgs

Number of boxes: 1 pc