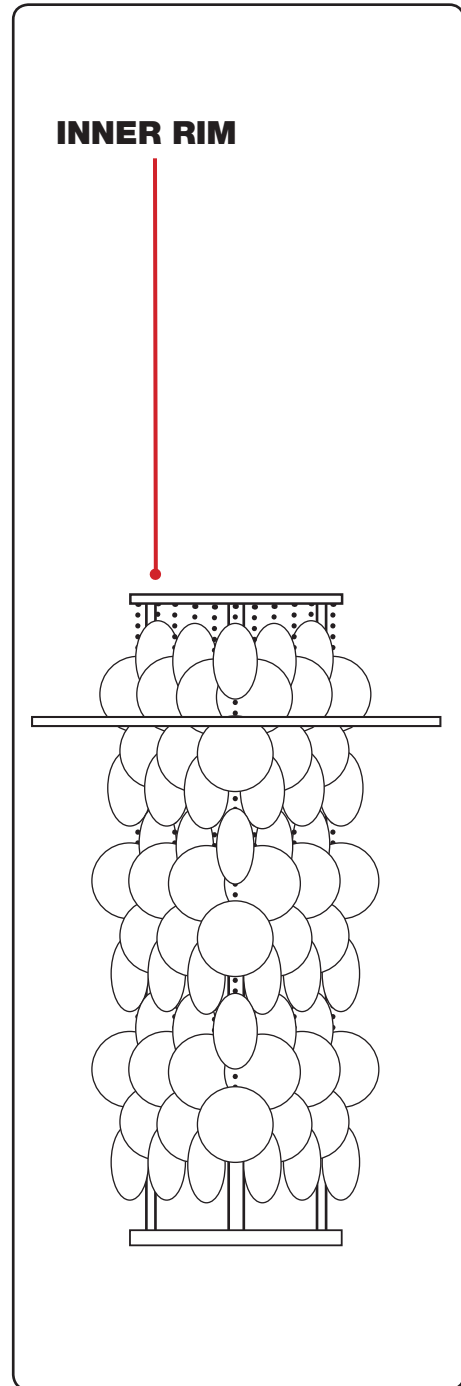
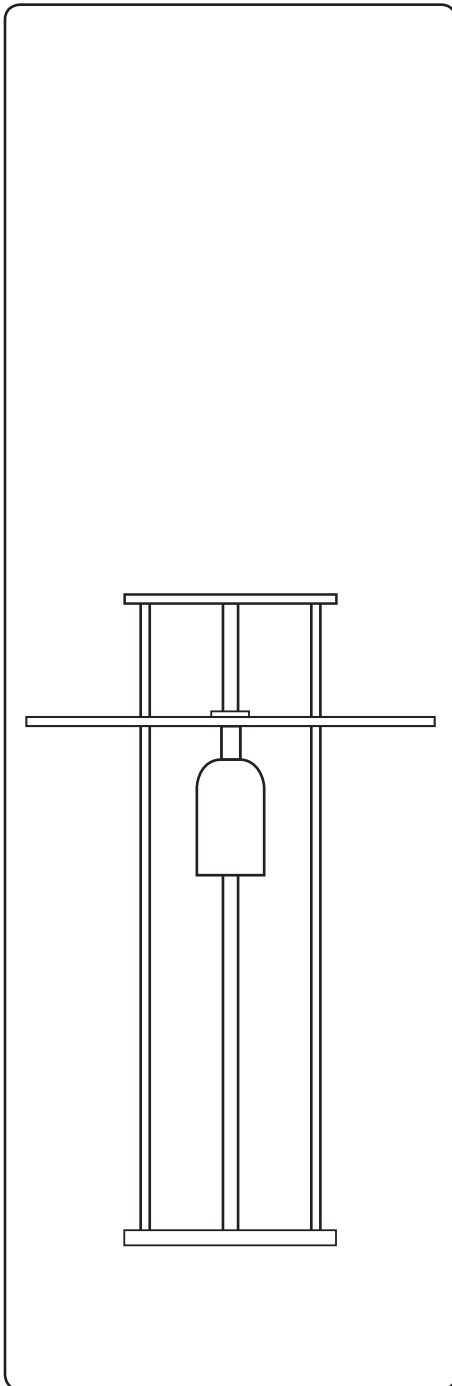


# Fun 2™

*Design by* VERNER PANTON

*Please read thoroughly before assembly*

1

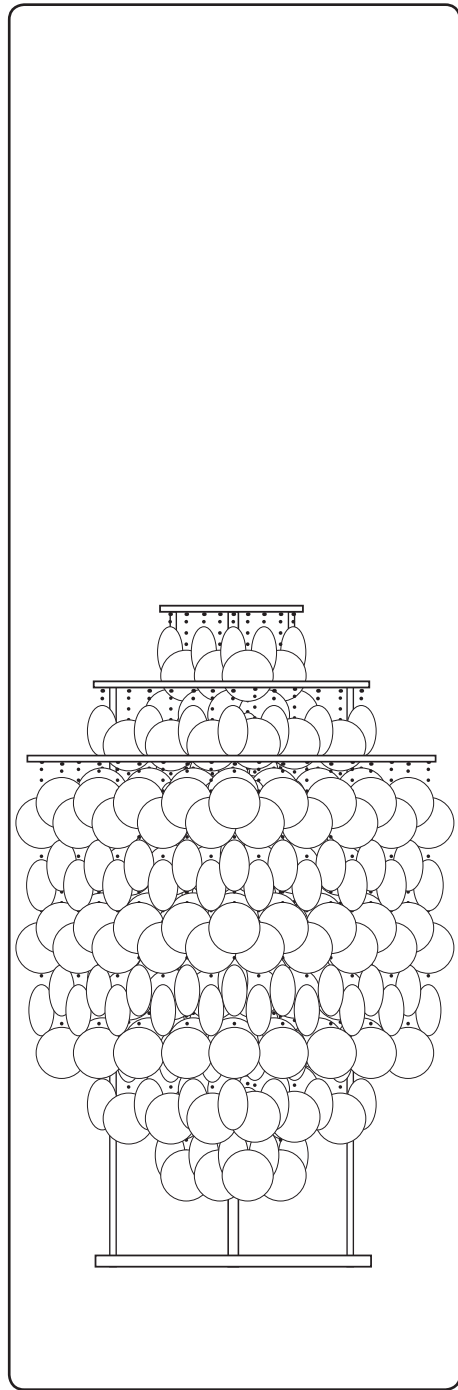
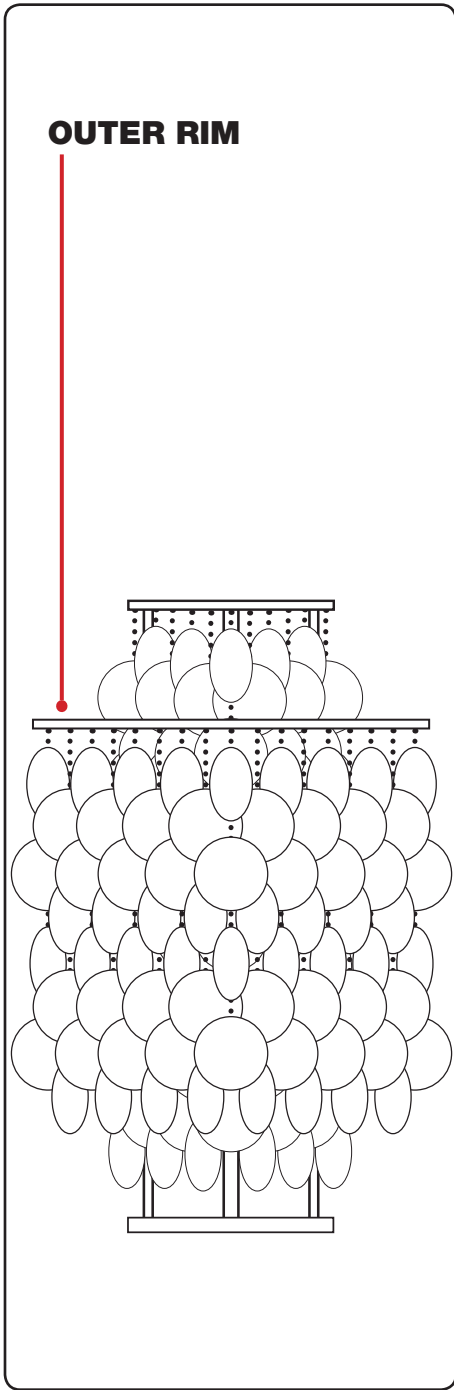


Take out the lamp from the box. Now you are ready to mount the plates.

### INNER RIM

Mount plates from box with 6 discs + 4 rings and box with 6 discs + 1 rings.

Please note:  
It is important that you alternate between the two lengths.



**OUTER RIM**

Mount plates from box with 4 discs + 4 rings and box with 4 discs + 1 rings.

Please note:  
It is important that you alternate between the two lengths.

**HOW TO CLEAN:**

Clean with a soft cloth, warm water and a mild detergent. Do NOT use any abrasive materials.

DESIGNED  
IN THE PAST  
**MADE FOR**  
**TOMORROW**

VERPAN ApS  
*Egeskovvej 29*  
8700 Horsens  
Denmark

[www.verpan.com](http://www.verpan.com)

[info@verpan.com](mailto:info@verpan.com)