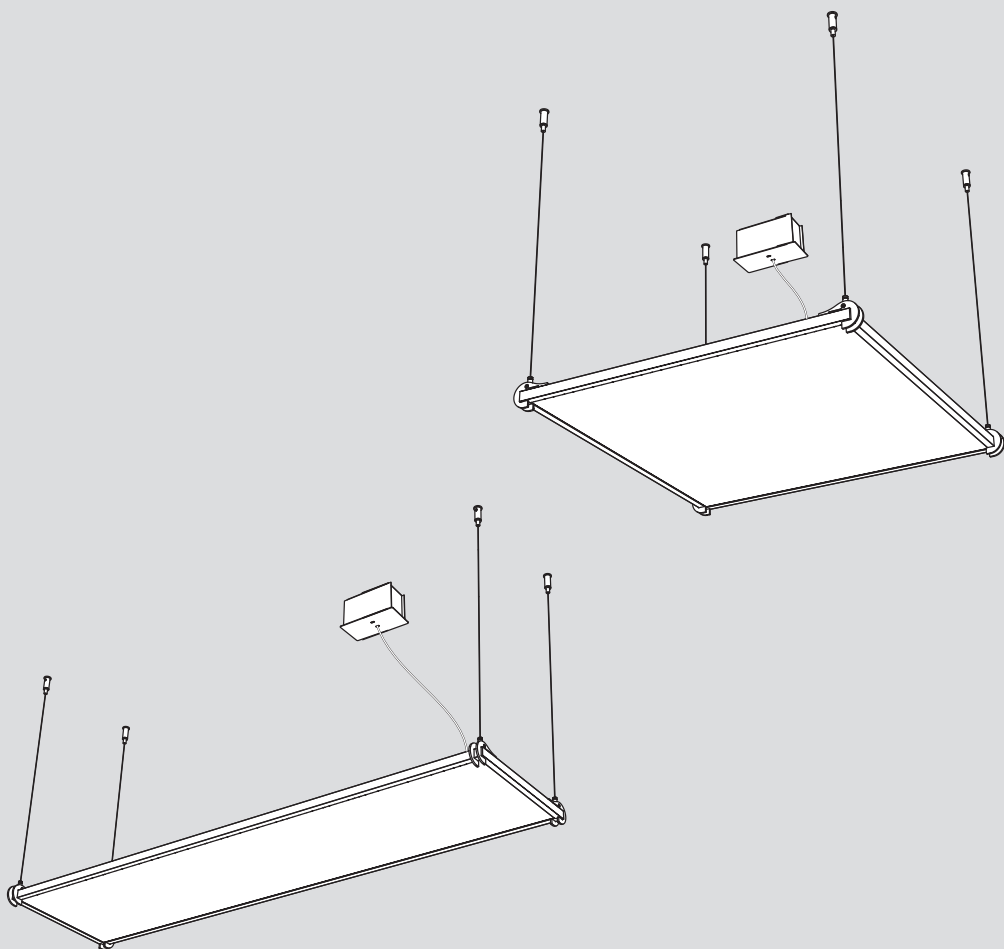


# Artemide®

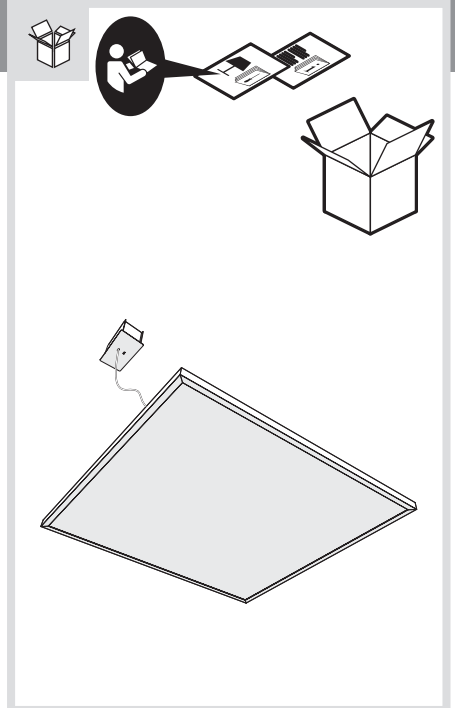
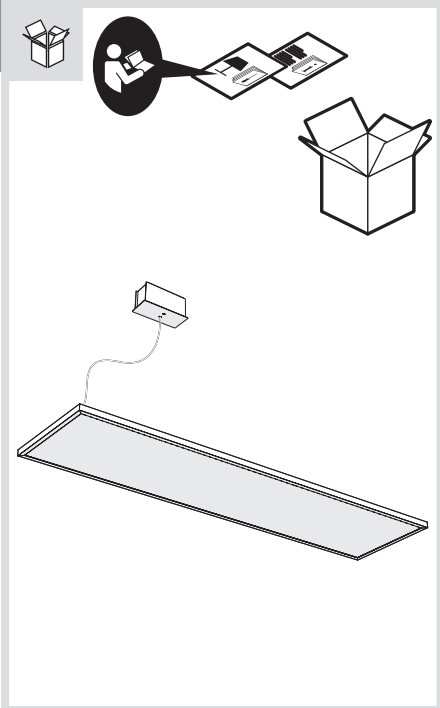
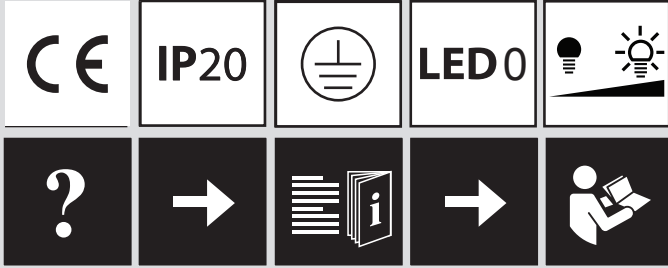
## GRAFA STAND ALONE

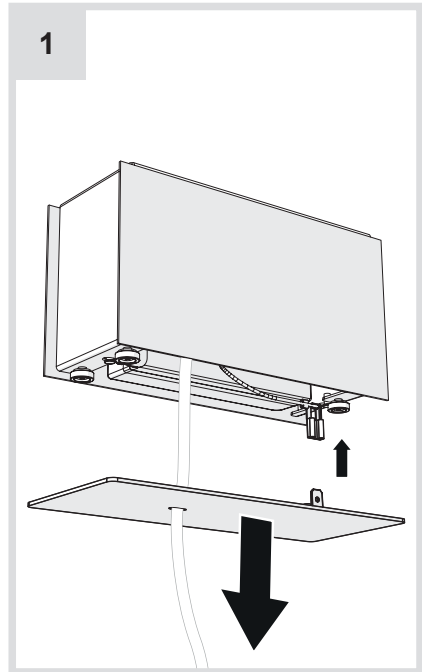
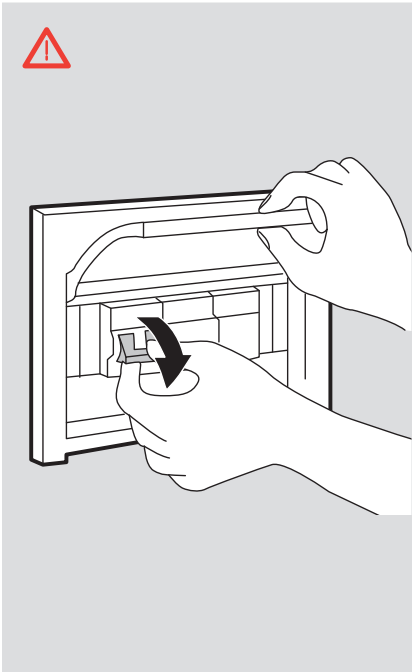
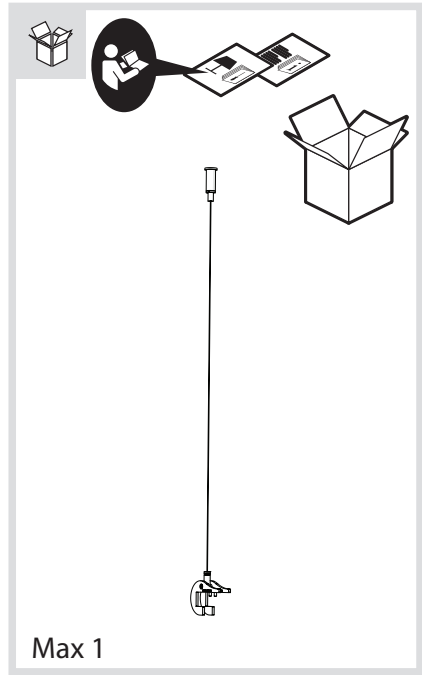
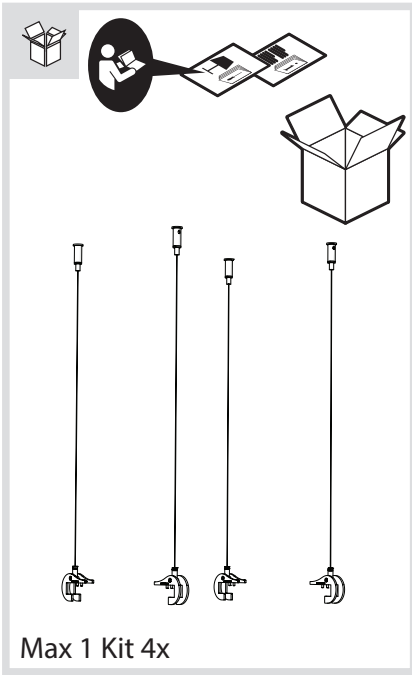
design  
Jean-Michel Wilmotte



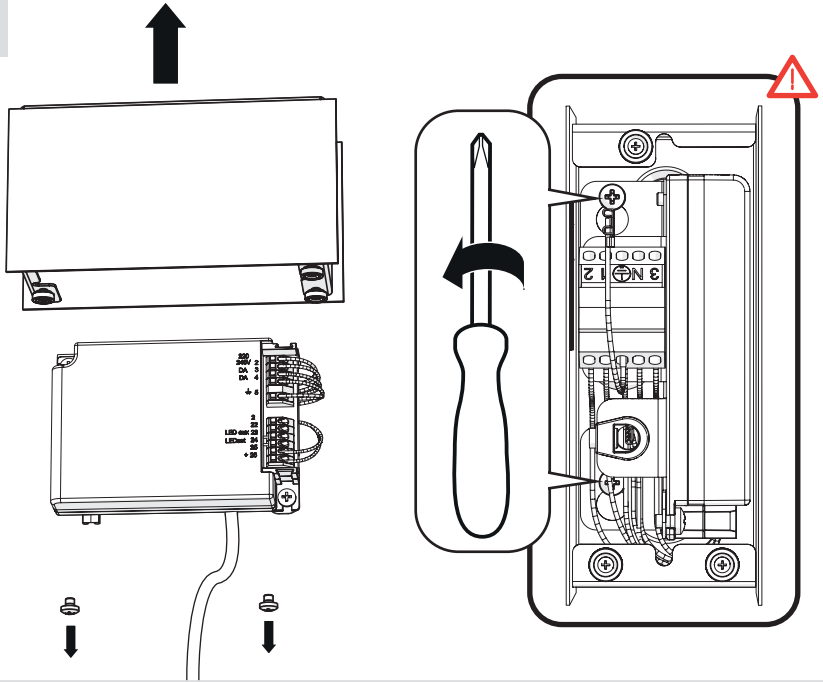


i

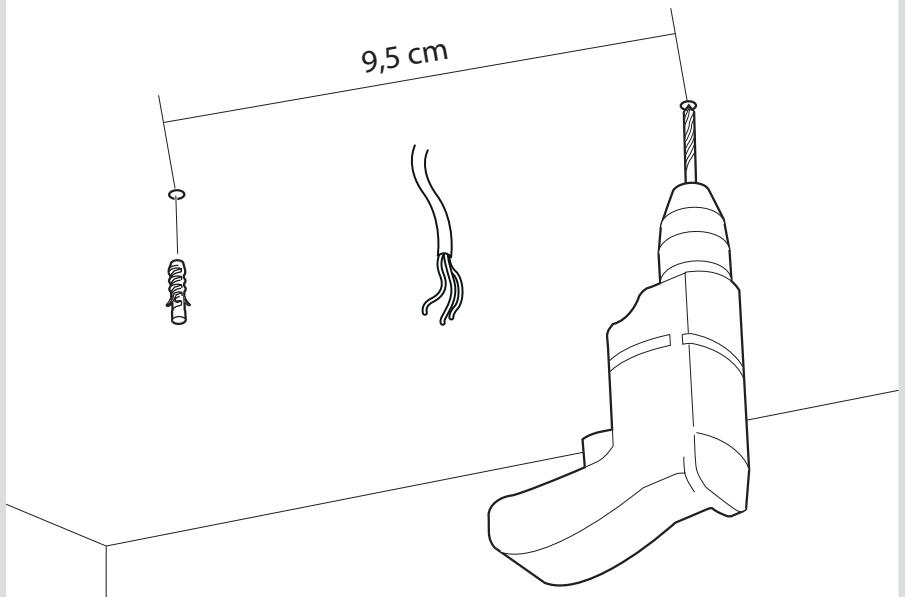




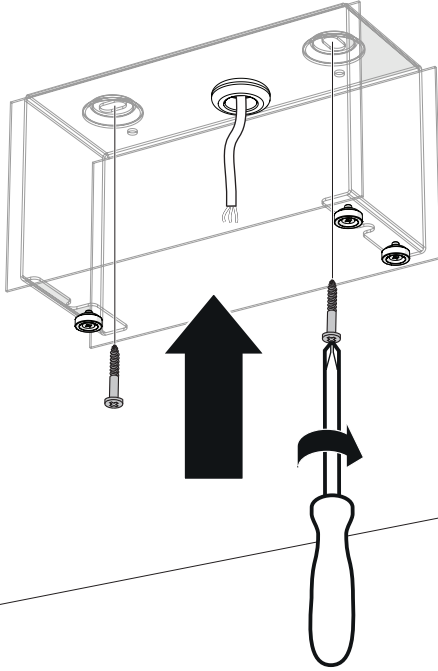
2



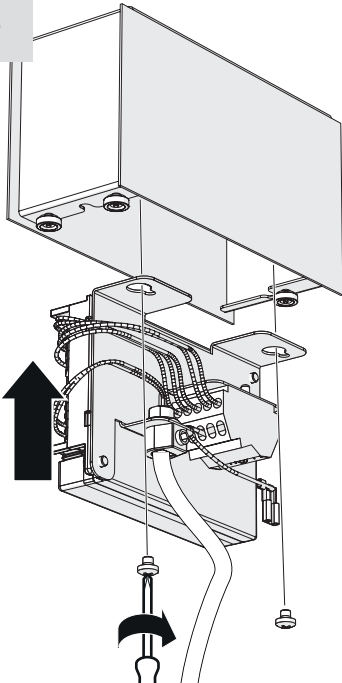
3



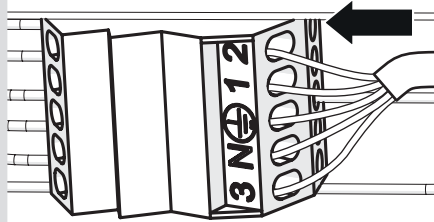
4



5

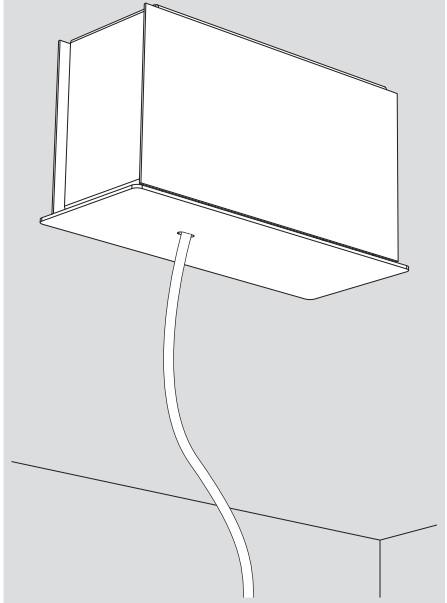
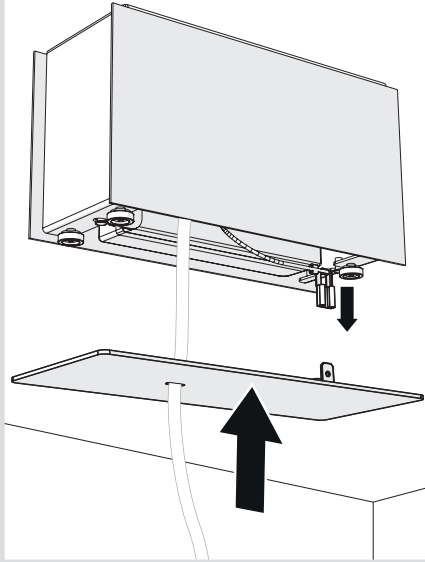


6

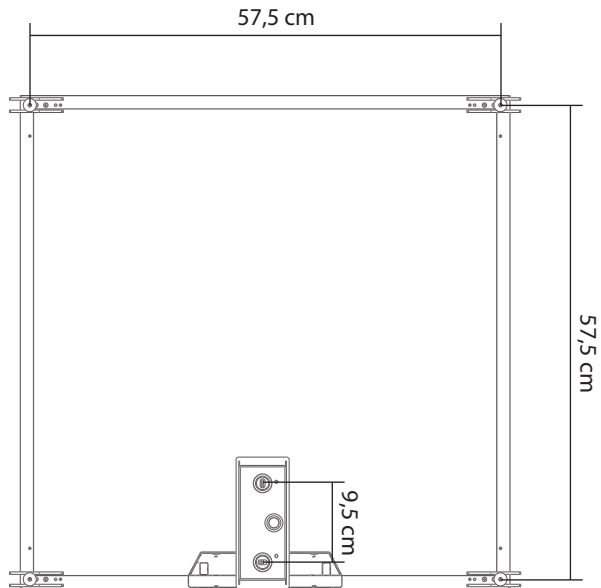


2	⊖	D2
1	⊖	D1
⊕	⊖	⊕
N	⊖	N
3	⊖	L

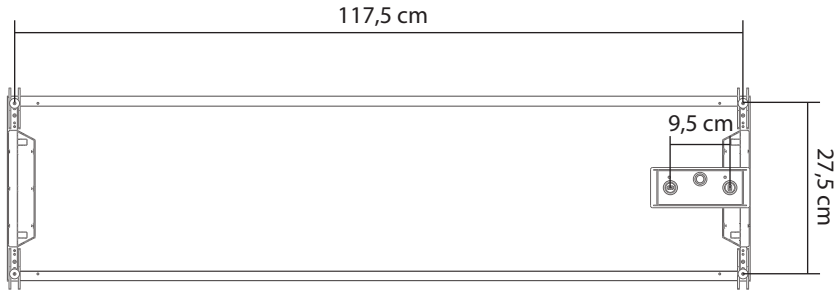
7



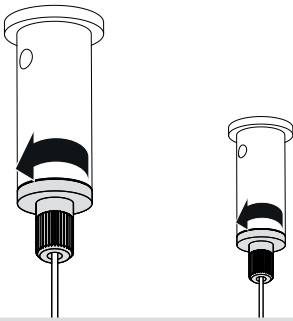
**i**



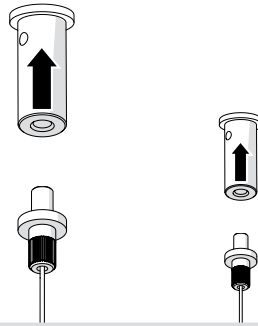
**i**



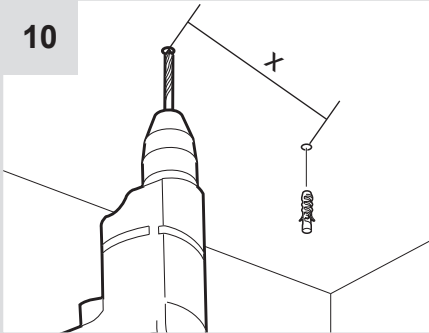
**8**



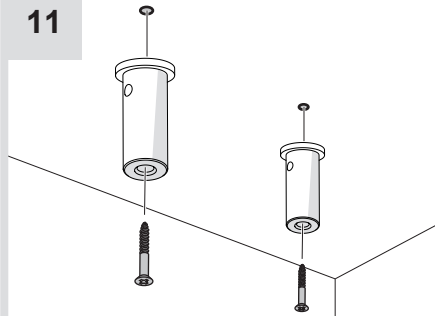
**9**

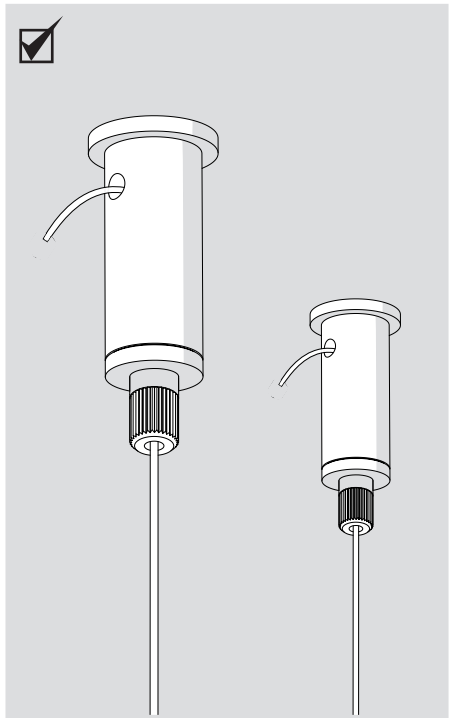
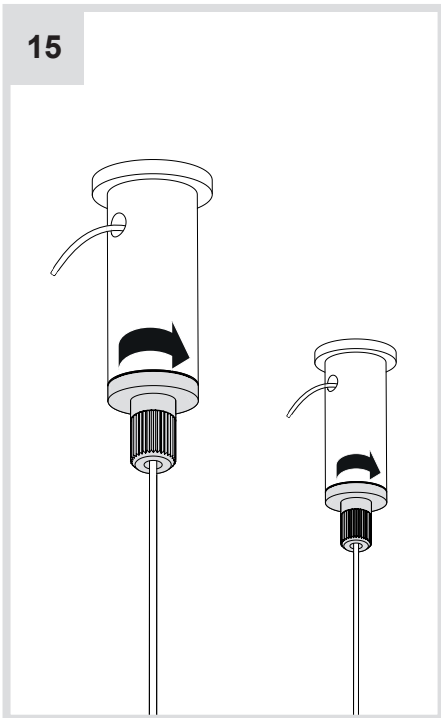
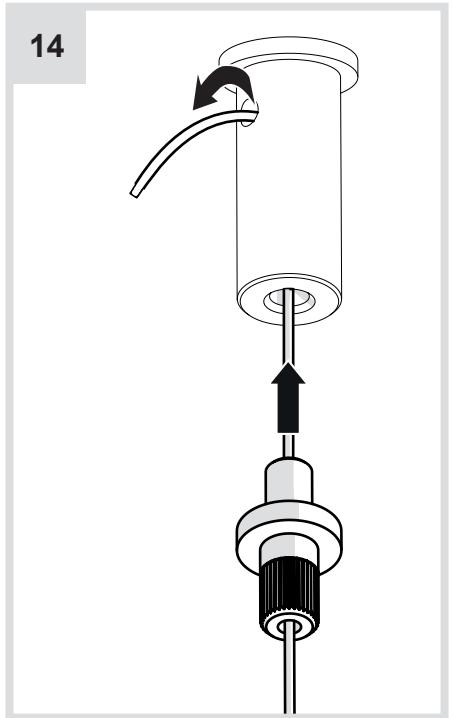
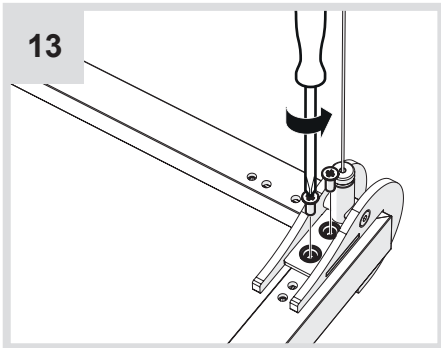
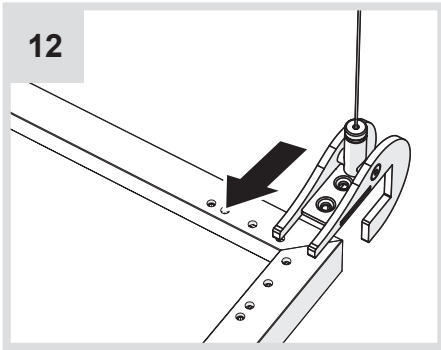


**10**

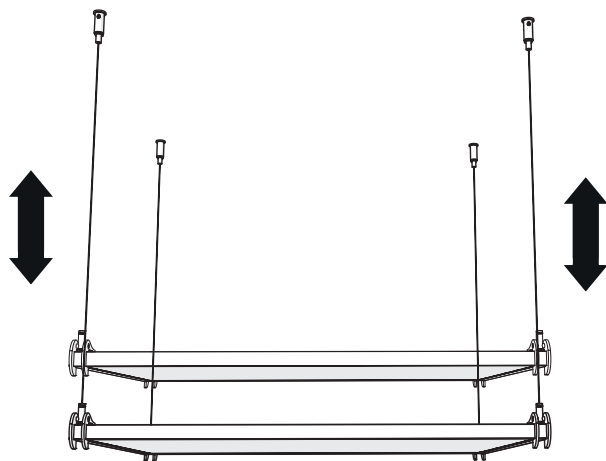


**11**

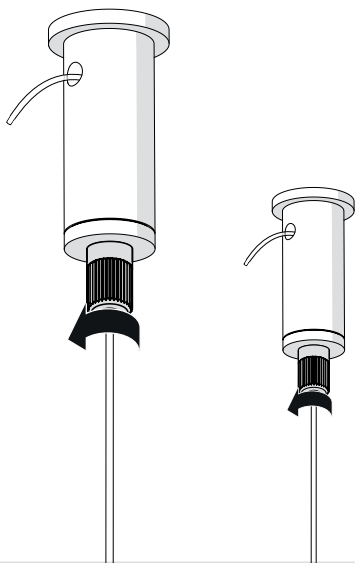




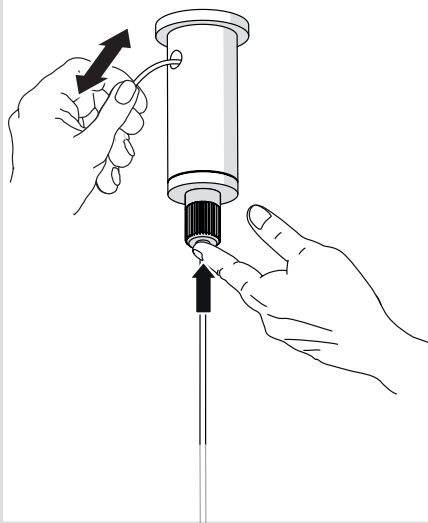




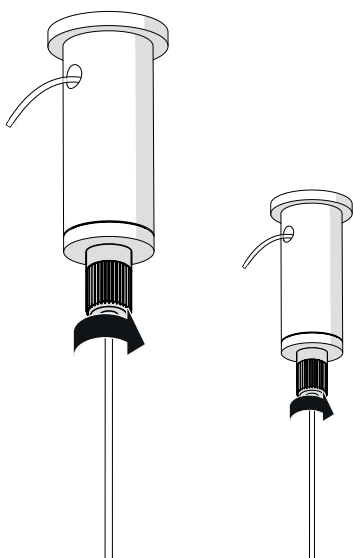
16



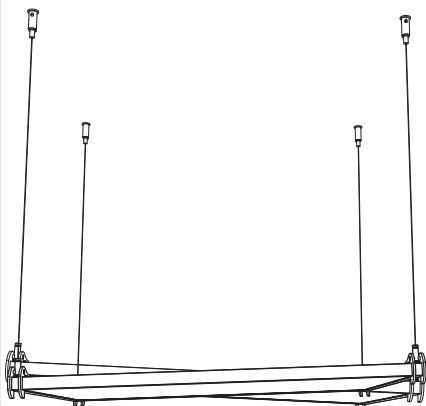
17



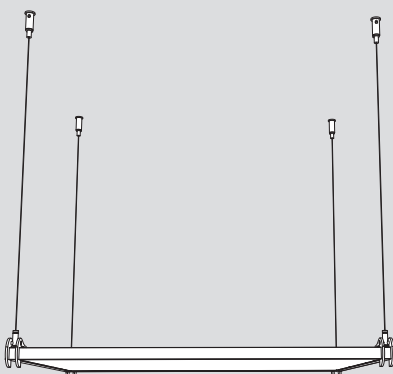
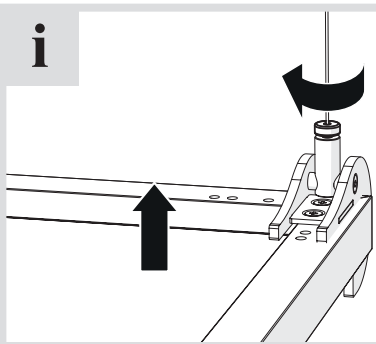
18



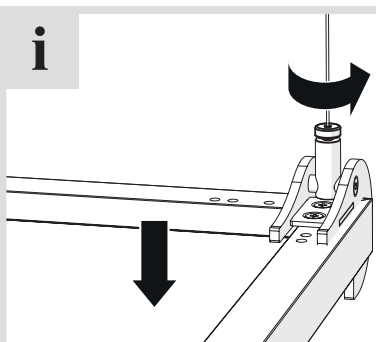
i



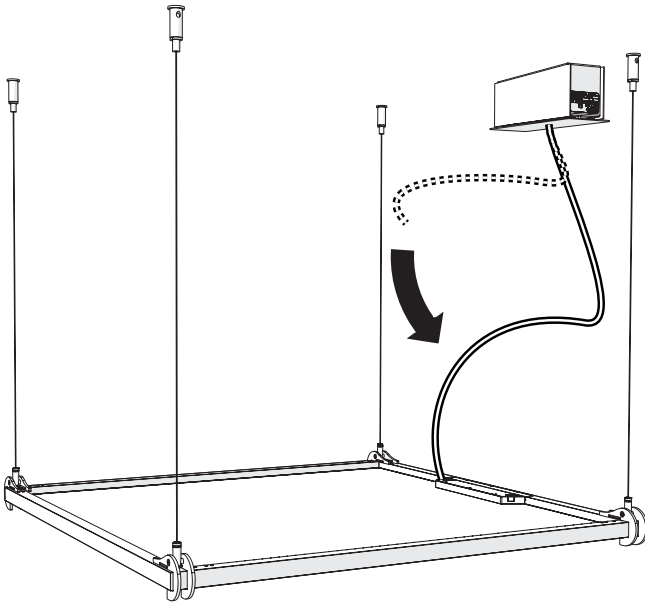
i



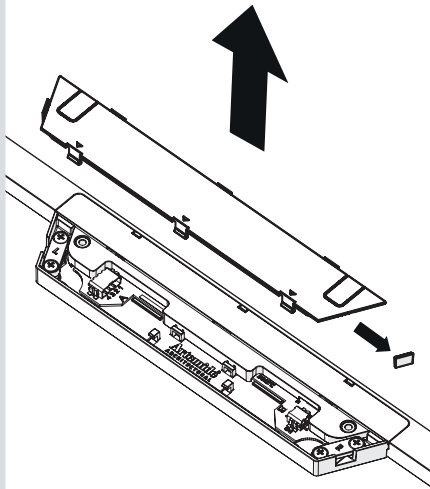
i



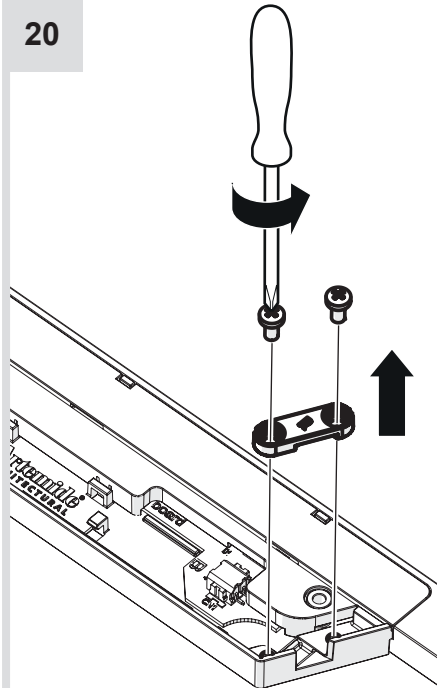
**i**



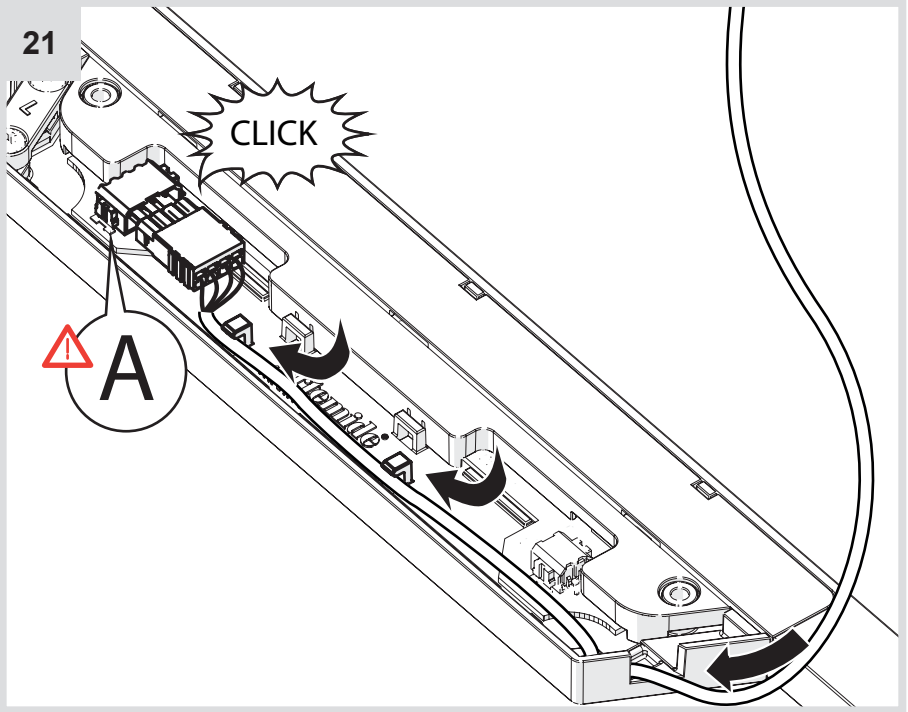
**19**



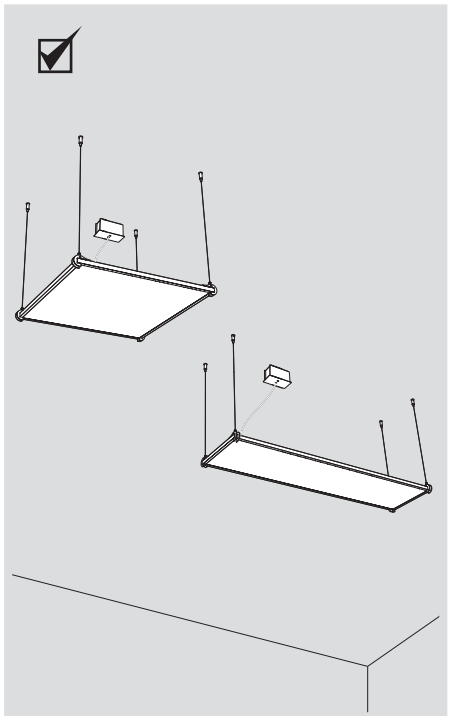
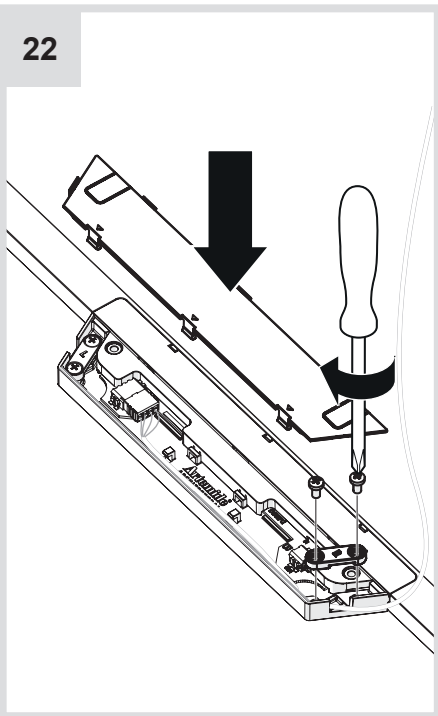
**20**

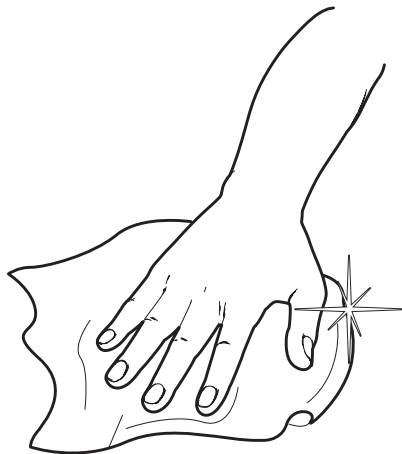
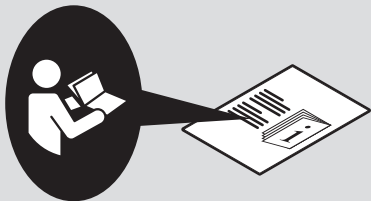


21



22









**Artemide®**



## **Artemide Spa**

via Bergamo, 18  
20010 Pregnana M.se (MI)  
ITALIA

Tel. +39 02 935 181  
Fax +39 02 935 90 254  
Fax +39 02 935 90 496

[www.artemide.com](http://www.artemide.com)

VAT IT00846890150

cod. Y513000398A