



Paulmann

Safety Instructions

1, 2, 3, 4, 5, 6, 7, 10, 12, 13, 15, 16,
19, 20, 21, 22, 24, 28, 33, 34



Info

www.paulmann.com

Paulmann Licht GmbH
Quezinger Feld 2
31832 Springe
Germany

www.paulmann.com

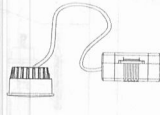
Art.-Nr.: 934.82/83
934.84/85
934.88/89
934.90/86
934.87/91
934.92
(+MA326) PSU 07/18



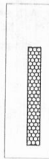
934.82/934.84



1x



1x

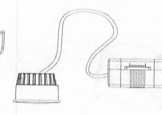


Incl.

934.83/934.85/934.88



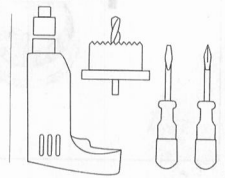
3x



3x

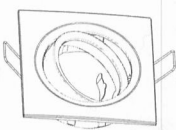


Incl.

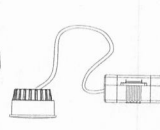


IP23

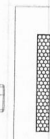
934.89



1x

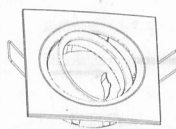


1x

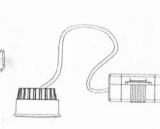


Incl.

934.90



3x

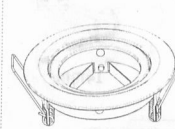


3x

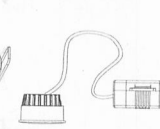


Incl.

934.86



1x

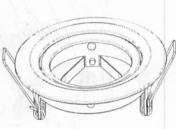


1x

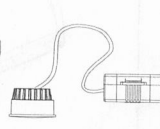


Incl.

934.87



3x

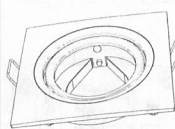


3x

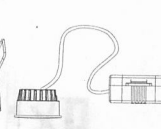


Incl.

934.91



1x

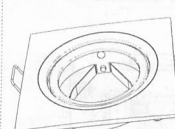


1x

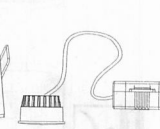


Incl.

934.92



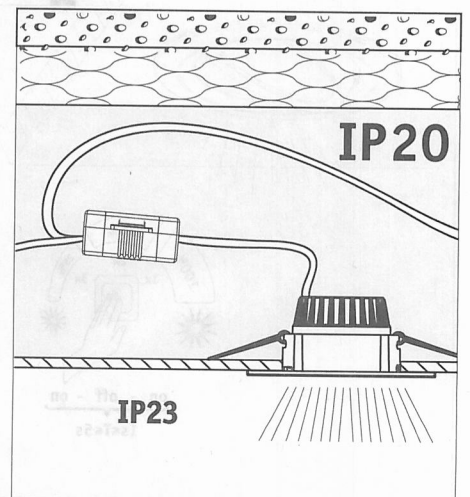
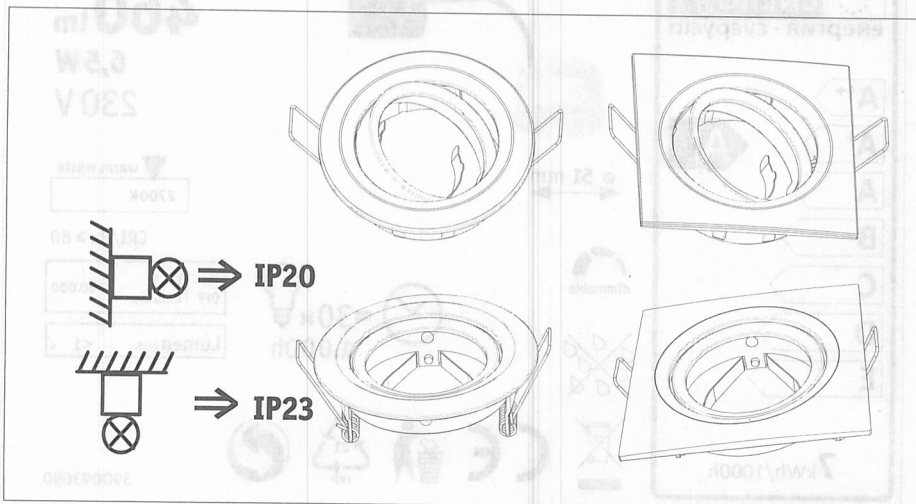
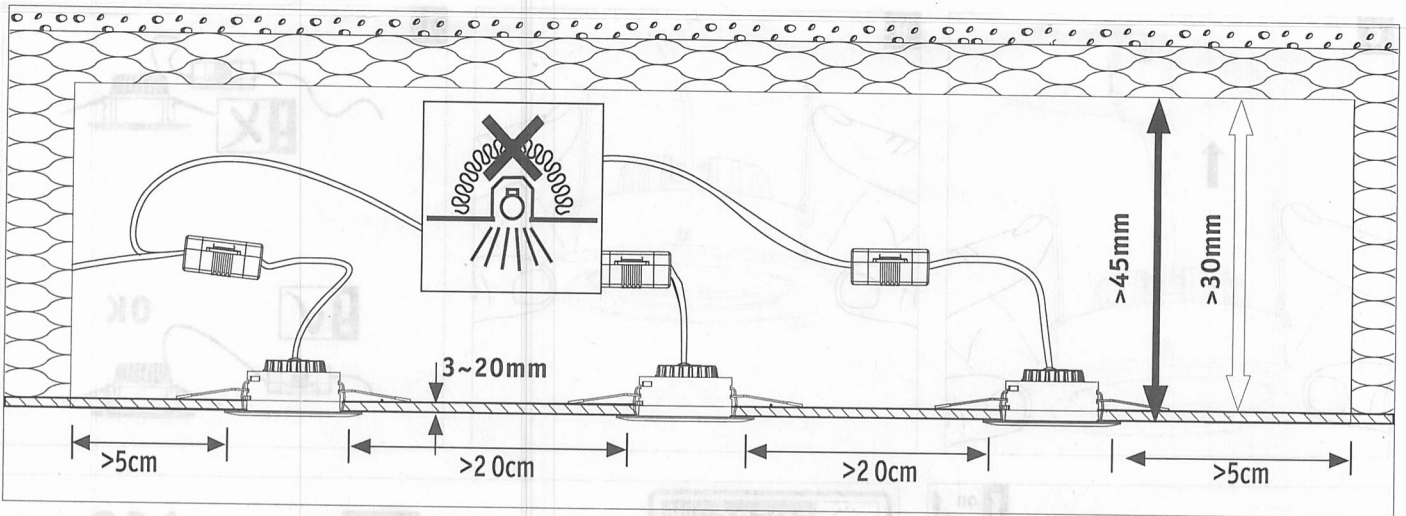
3x

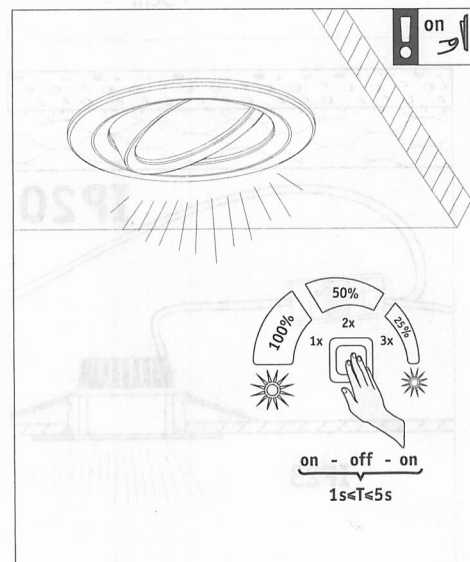
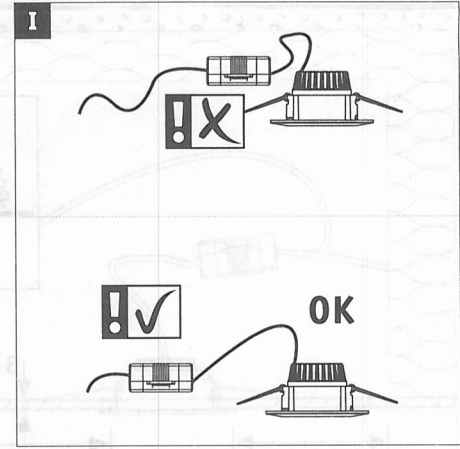
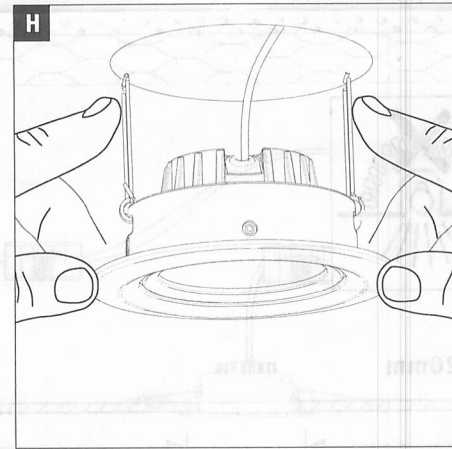
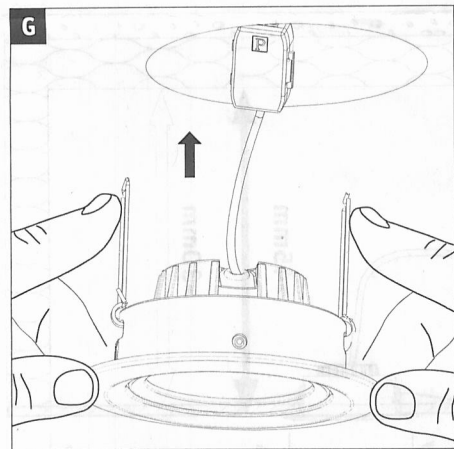
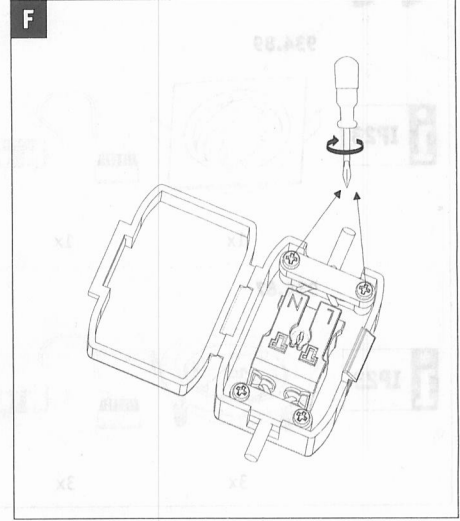
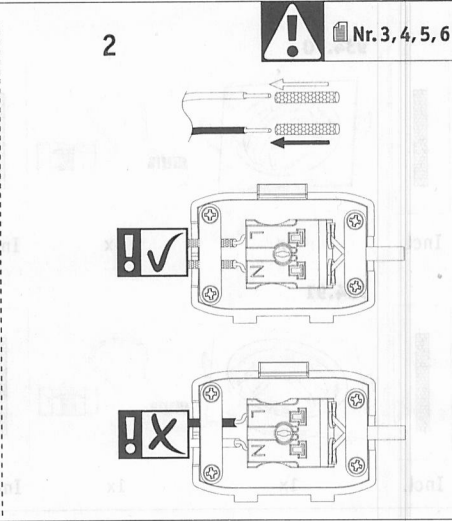
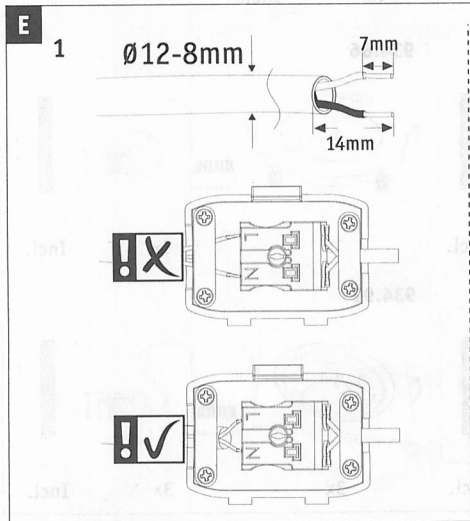
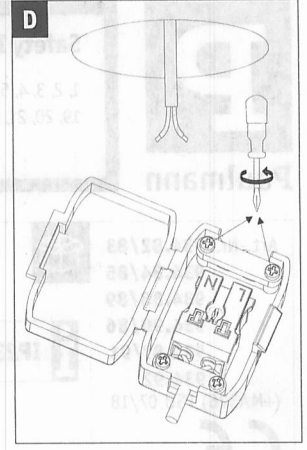
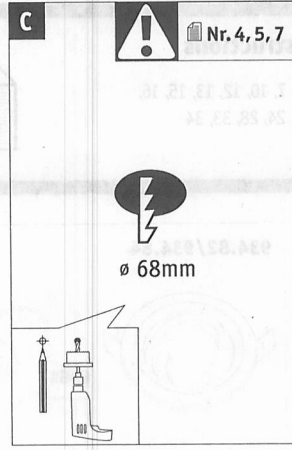
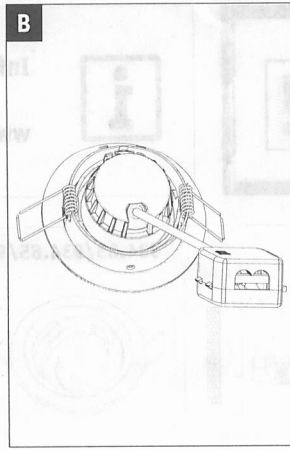
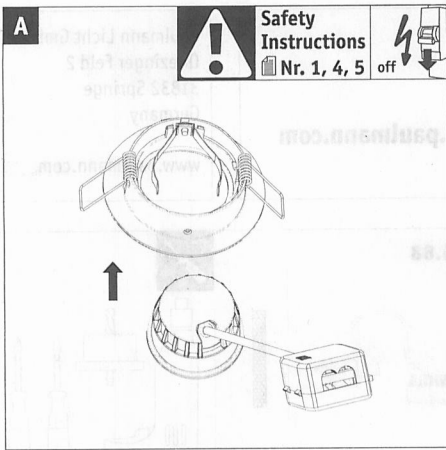


3x



Incl.





ENERG Y IJA IE IA
 енергия · ενεργεια

A+

A++
 A+
 A
 B
 C
 D
 E

7 kWh/1000h

460 lm
 6,5W
 230V

▼ warm white
 2700K

CRI/Ra ≥ 80

ON OFF >50.000

Lumen 60% <1 s

≈30x 1.000h

dimmable

ø 51 mm

CE

PAP

390093690