



Paulmann

### Safety Instructions

1, 2, 3, 4, 5, 6, 7, 10, 12, 13, 15, 16,  
19, 20, 21, 22, 24, 28, 33, 34



Info

[www.paulmann.com](http://www.paulmann.com)

Paulmann Licht GmbH  
Quezinger Feld 2  
31832 Springe  
Germany

[www.paulmann.com](http://www.paulmann.com)

Art.-Nr.: 944.72



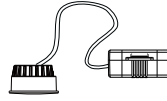
(+MA326) PSU 05/20



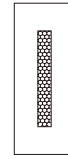
**i** IP23



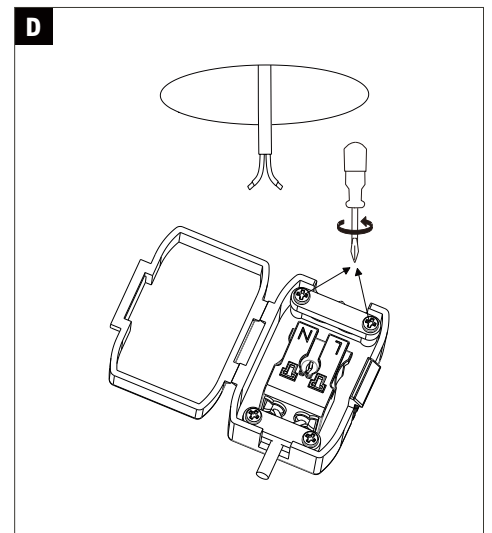
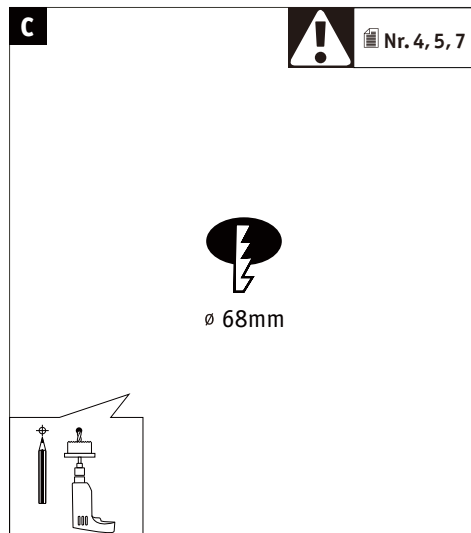
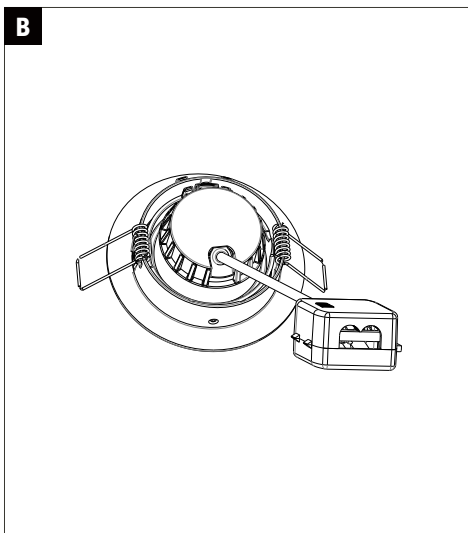
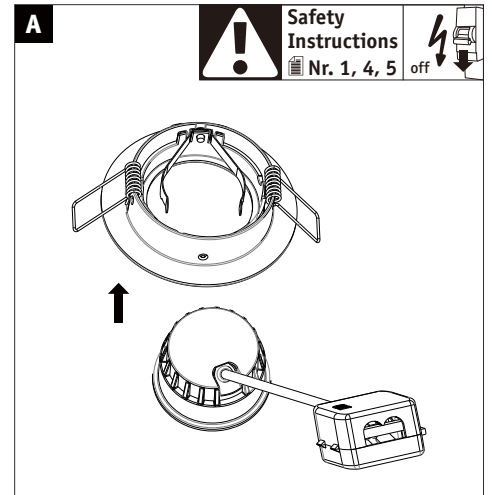
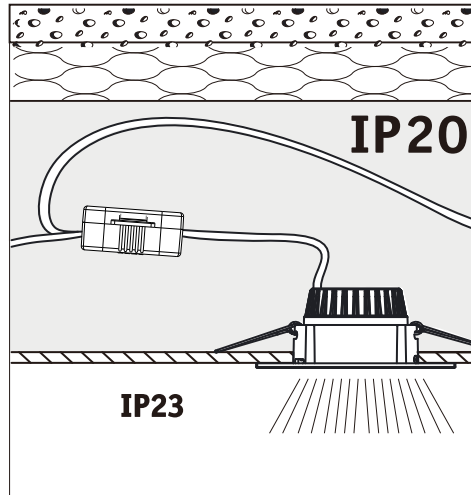
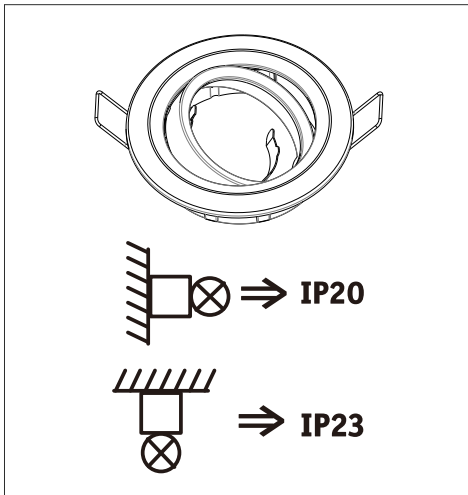
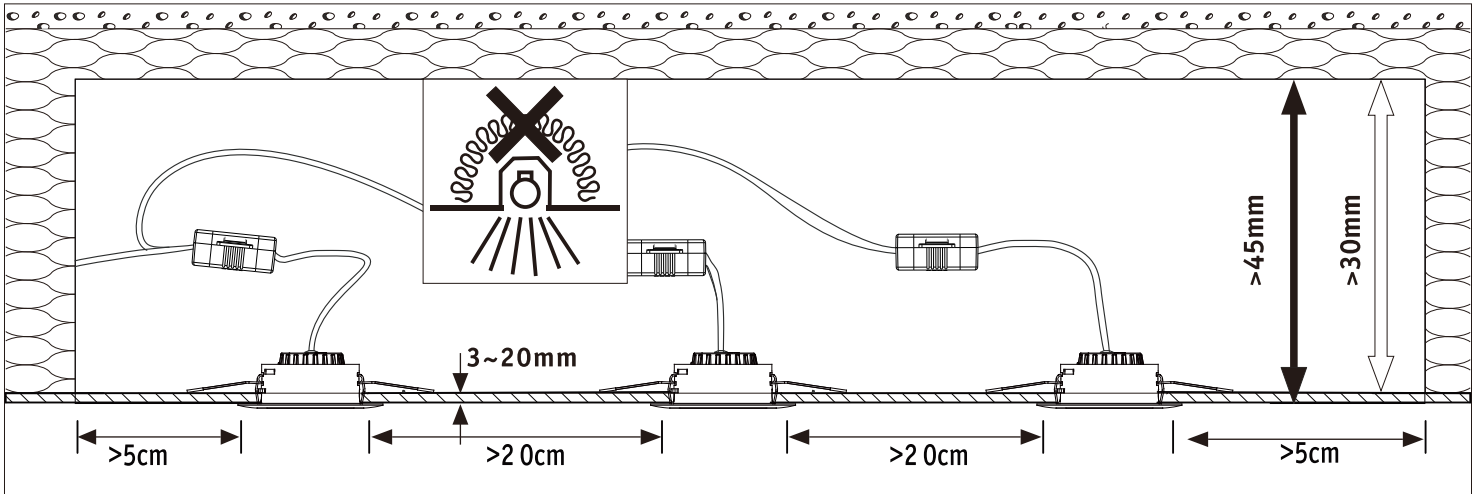
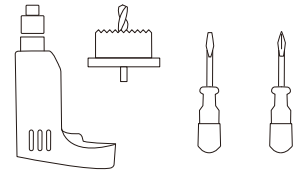
3x

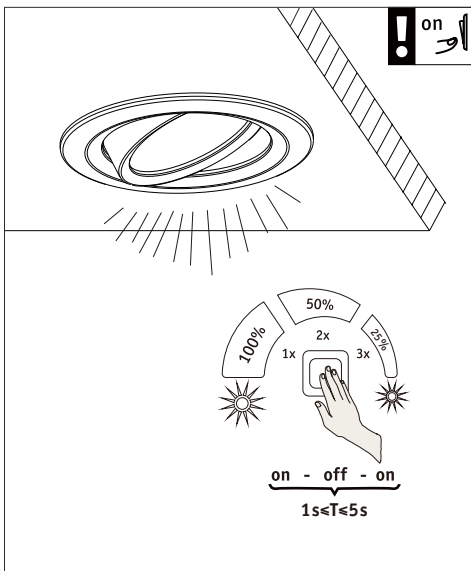
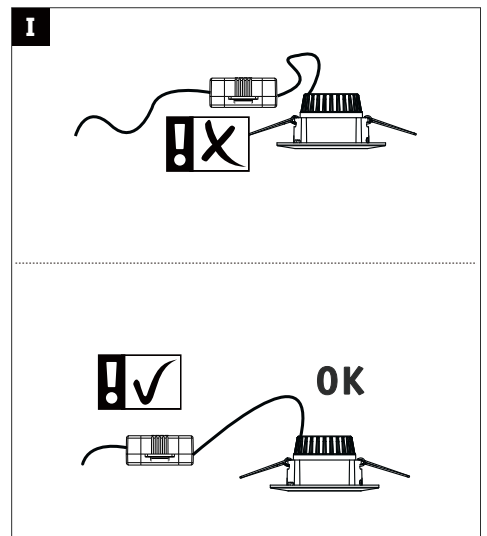
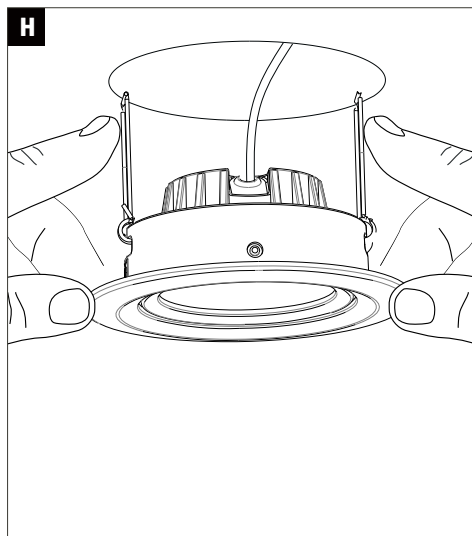
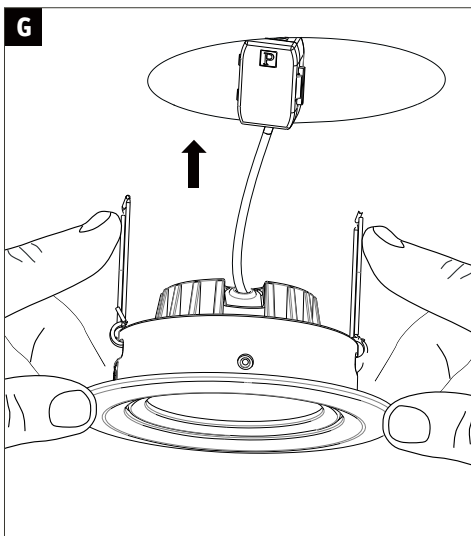
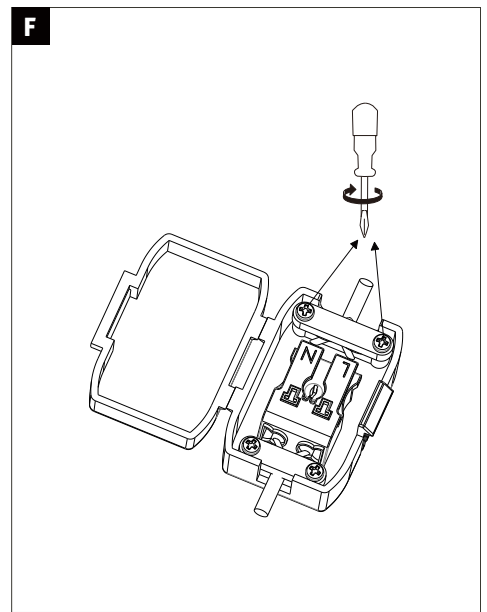
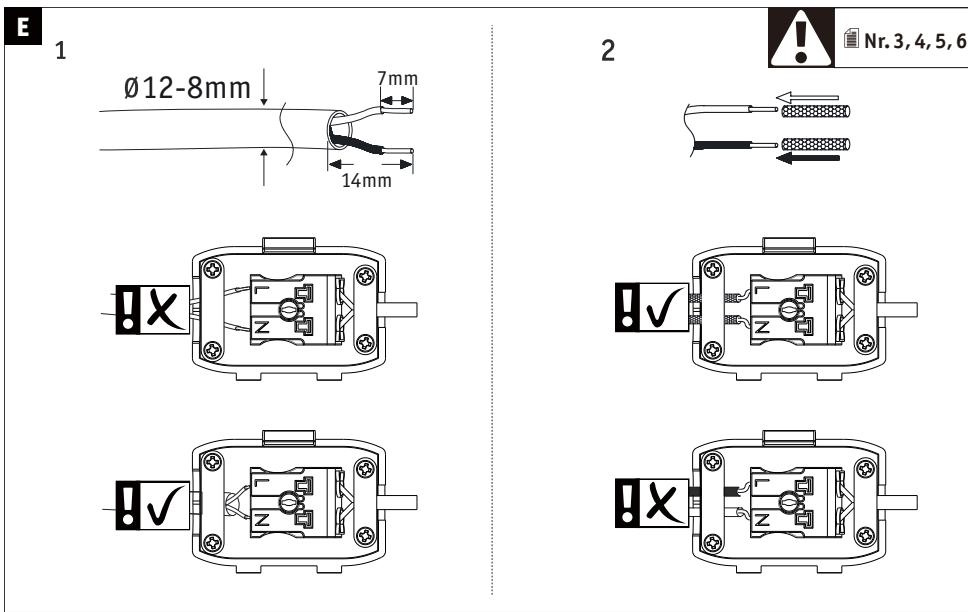


3x



Incl.





**ENERGY** Y IJA  
IE IA  
енергия · ενέργεια

A++  
A+  
A  
B  
C  
D  
E

**A+**

7 kWh/1000h

ø 51 mm

dimmable

≈ 30x  
1.000h

**460 lm**  
6,5W  
230V

warm white  
2700K

CRI/Ra ≥ 80

ON OFF ≥ 50.000

Lumen 60% < 1 s

390093690