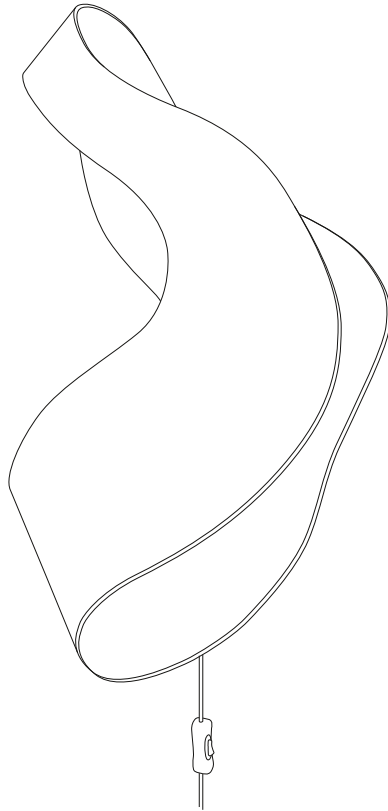


Oyster Wall Lamp

Assembly manual



ferm
L I V I N G

General Instructions

PLEASE READ BEFORE INSTALLATION

WARNING:

The safety of this fitting can only be guaranteed if the following instructions are observed during both installation and use. Please retain these instructions safely after installation.

PLEASE OBSERVE THE FOLLOWING GUIDELINES:

- Ensure that the power supply has been switched off prior to installation or removal of the product.
- Never undertake an electrical installation without the proper knowledge or training. If not familiar with electrical wiring, contact a qualified electrician.
- The product may in no way be modified or tampered with. Any modification may compromise safety and make the product itself dangerous to use. FERM LIVING does not accept any responsibility for products that have been modified.
- All electrical components of the Oyster Wall Lamp can be replaced.
- The LED strip and the driver must be replaced in pairs to be sure that they work properly.
- Any modification must be performed only by qualified personnel to avoid any danger.
- This product is meant for indoor use only.
- This appliance should not be disposed in a domestic trash receptacle and should instead be recycled appropriately.

CLEANING INSTRUCTIONS:

- Use only a soft cloth to clean the product. Dampen the cloth with water and soap or a mild cleanser if needed.

MORE INFORMATION:

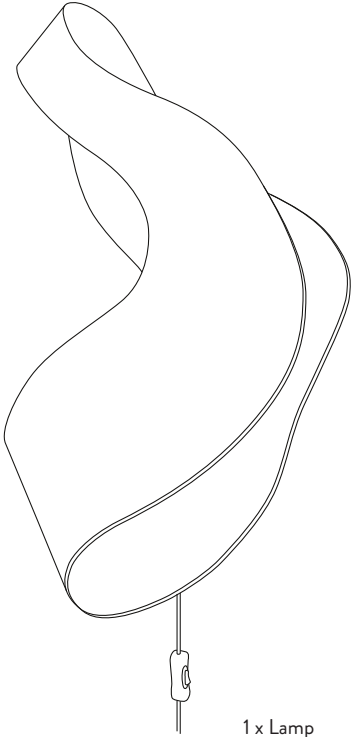
To access further information such as product overview and material descriptions, please visit our website at www.fermliving.com. If you have any questions or comments, please do not hesitate to contact us at info@fermliving.com.

Technical Specifications

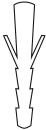
OYSTER WALL LAMP

Voltage:	220-240V – 50Hz
Dimmable:	Yes
Certification:	CE, IP20
Light source:	LED strip with defuser, 8W, 730LM, 2500K, CRI >90

Box Content



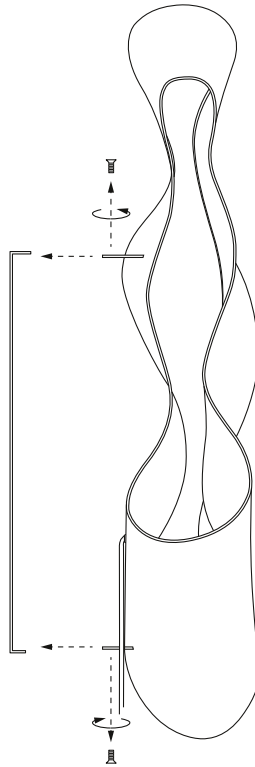
2 x Wall screws



2 x Rawplugs

Assembly Process

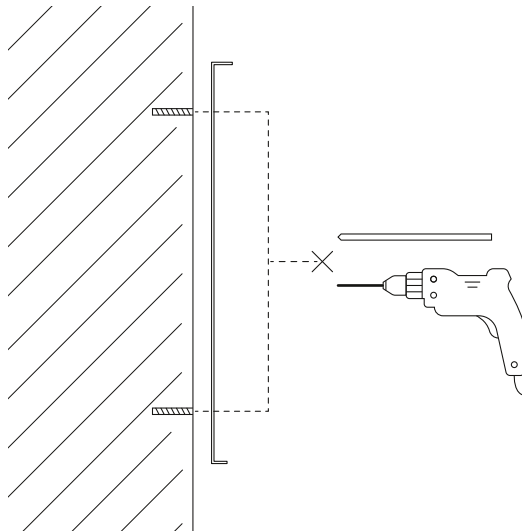
1



Unscrew the 2 wall screws on
and remove the wall mount

Assembly Process

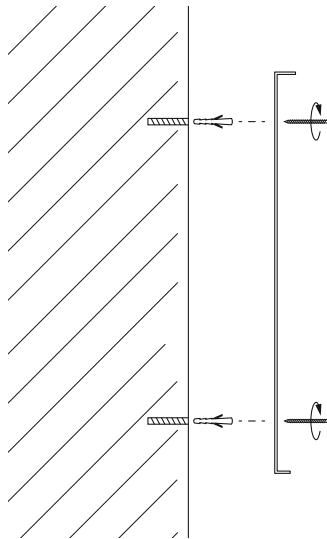
2



Use the wall mount to mark the two holes with a pencil.
Drill two holes in the wall with a Ø5 drill

Assembly Process

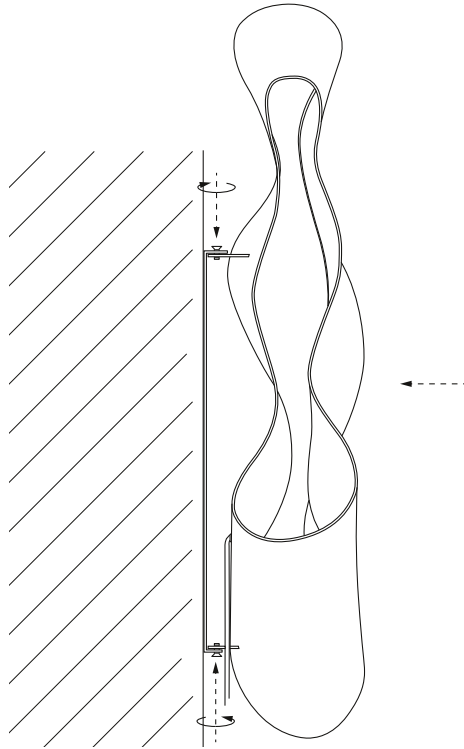
3



Set up the wall mount with two wall screws and two rawplugs.

Assembly Process

4



Mount the lamp on the wall mount
and screw in 2 wall screws

fermliving.com