



### Safety Instructions

1, 2, 3, 4, 5, 6, 8, 11, 12, 15, 16, 19,  
20, 21, 22, 24, 33, 34



Info

[www.paulmann.com](http://www.paulmann.com)

Paulmann Licht GmbH  
Quezinger Feld 2  
31832 Springe  
Germany

[www.paulmann.com](http://www.paulmann.com)

Art.-Nr.: 976.12

(+MA326) PSU 11/17



1X



1X



1X

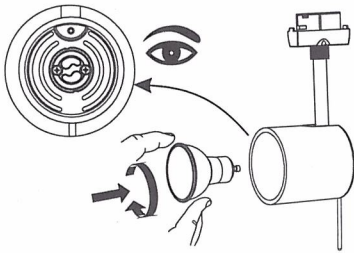


not Incl  
Max.1x10W  
GU10

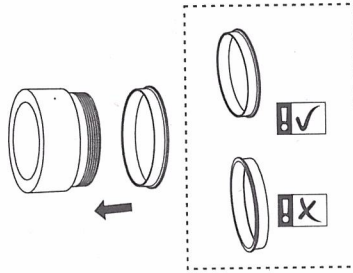


A

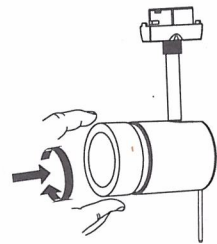
1.



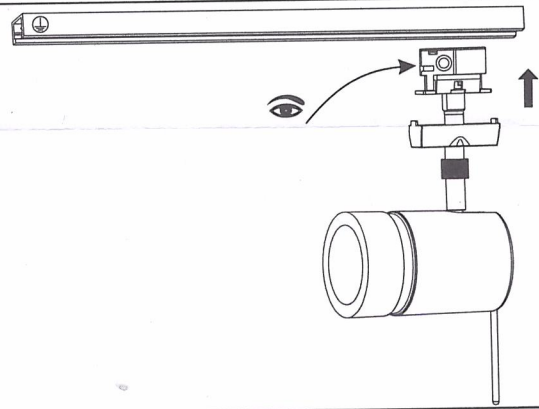
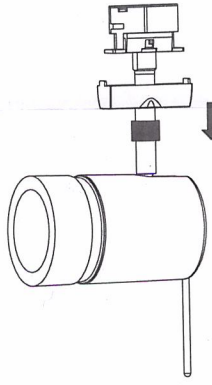
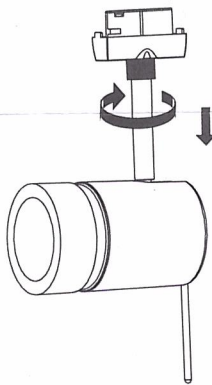
2.



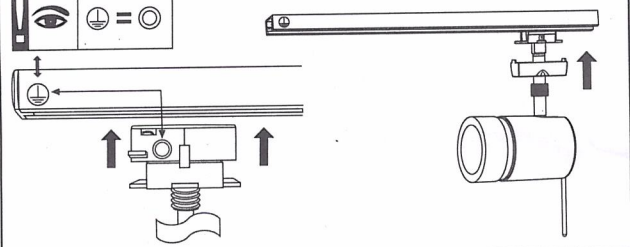
3.



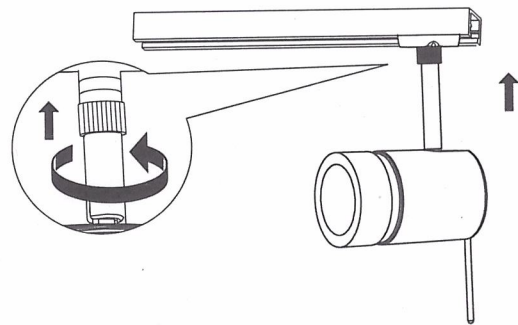
B



C



D



E

