



CARE INSTRUCTIONS

Wipe with a dry cloth or a damp cloth soaked in warm water. Use only soft cloth for wiping and polishing, never sponges or steel wool. Do not use abrasive household cleaners. Do not use acidic or alkaline cleaning materials, glass cleaner or household ammonia.

TROUBLESHOOTING

If lamp does not light, turn off the power. Check the bulb for a broken filament. Replace bulb if necessary, then turn it on. If the lamp still does not light, please contact customer service at the local dealer. If the external flexible cable or cord of this lamp is damaged, it must be replaced by a qualified electrician in order to avoid a hazard.

TECHNICAL INFORMATION

Recommended light source:
2 x E14, 450lm ~ 3-5W LED. Only dimmable light bulbs work properly. Turn power off when changing light bulb. Isolation class II. The lamp is not approved for outdoor use or use in damp/wet rooms (IP20).



For enquiries contact GUBI A/S - CVR: 17940384
Klubiensvej 7-9, 2150 Nordhavn, Copenhagen, Denmark
T +45 69 15 60 60 – order@gubi.com
GUBI.COM

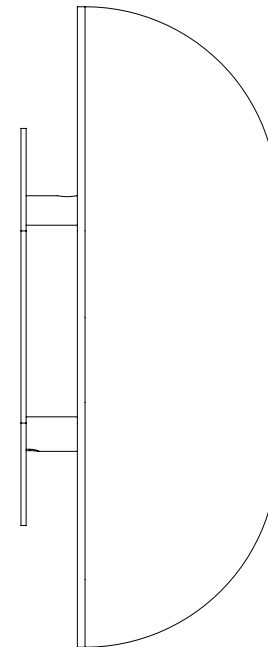
69-20-006-03 Howard Sconce Wall Lamp Assembly Instructions.

GUBI

ASSEMBLY INSTRUCTIONS

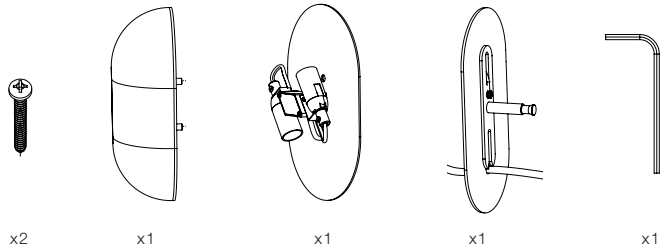
for

Howard Sconce Wall Lamp



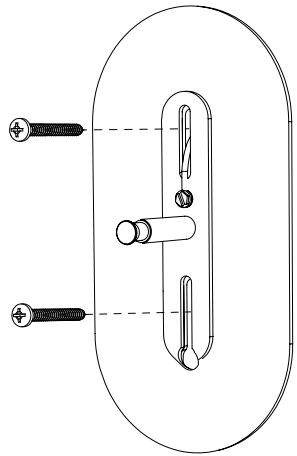
CONTENTS

Howard Corridor Lamp



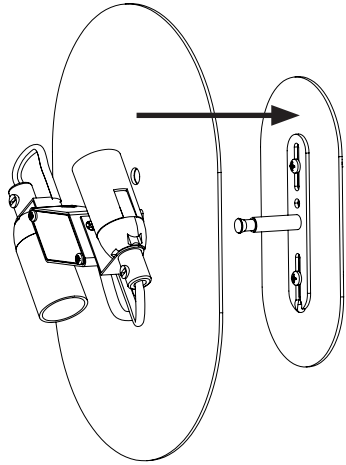
1.

Place back plate on top of supply cable exit and attach with screws.



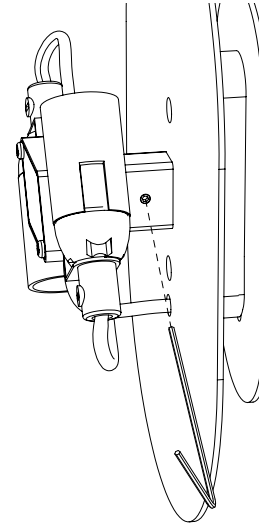
2.

Place lamp unit on back plate.



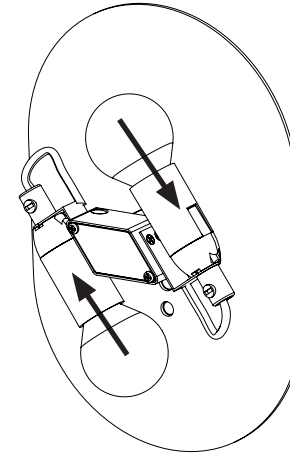
3.

Use small L-key to tighten the M4 screw.



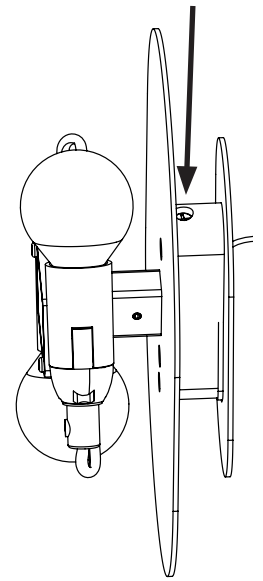
4.

Place bulbs in lamp sockets.



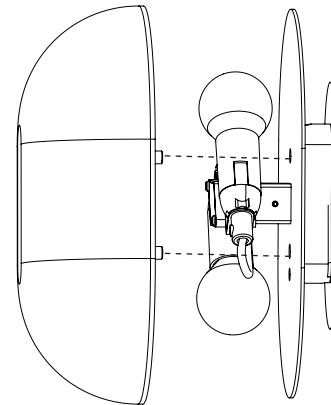
5.

Loosen M4 screw.



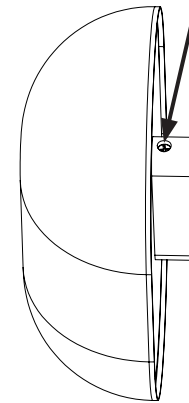
6.

Attach front cover by inserting poles into holes in the back plate.



7.

Tighten the M4 screw.



8.

Turn the lamp on and off using the switch on the cord.

