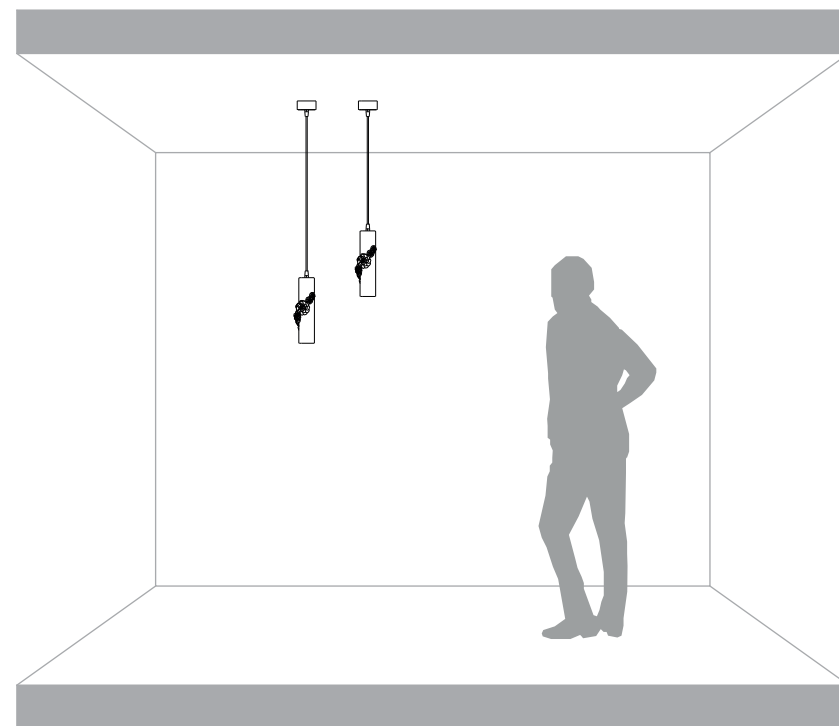


CAPODIMONTE



SE129 1B INT

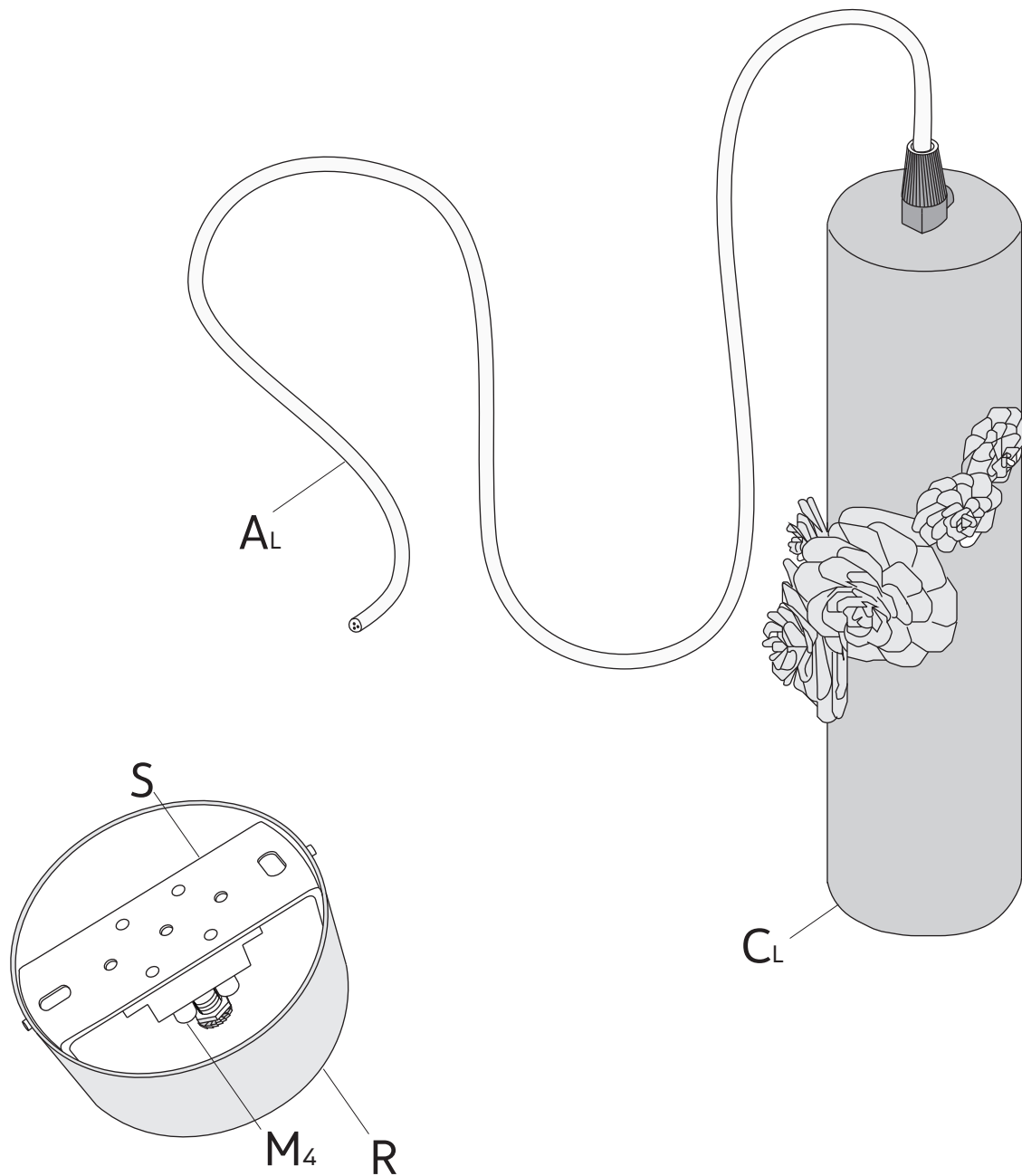
220-240 V.
max 1x20W - GU10



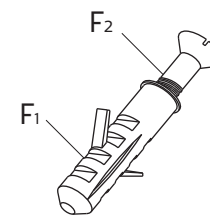
Karman srl

Via A. Grandi, San martino del piano, 61034 Fossombrone (PU), Italy - p.iva 02175640412 tel +39 0721 71 5042 r.a fax +39 0721 716640 - www.karmanitalia.it

C - 01

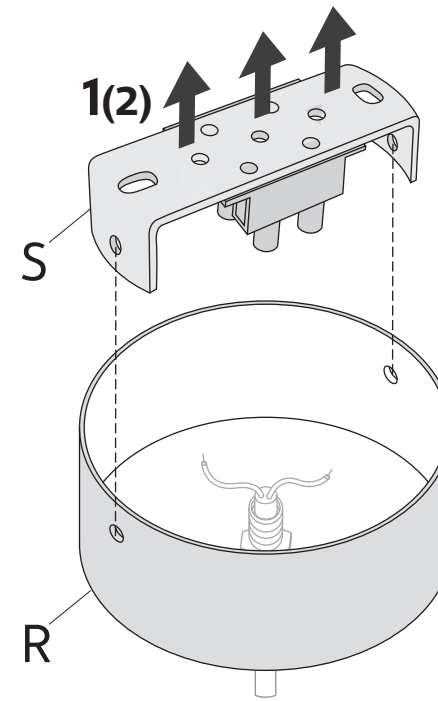
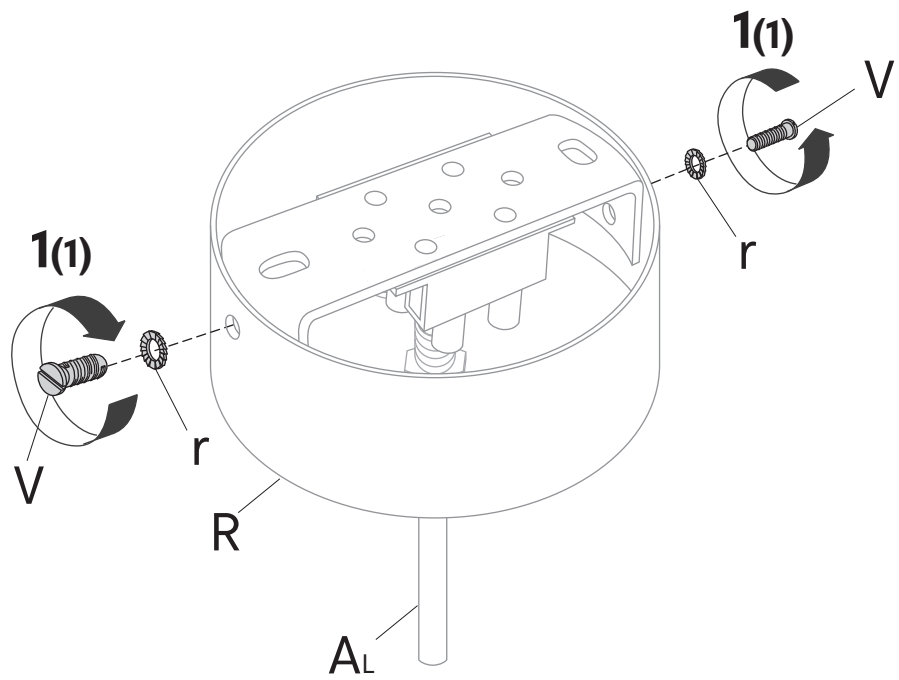


2X **F**

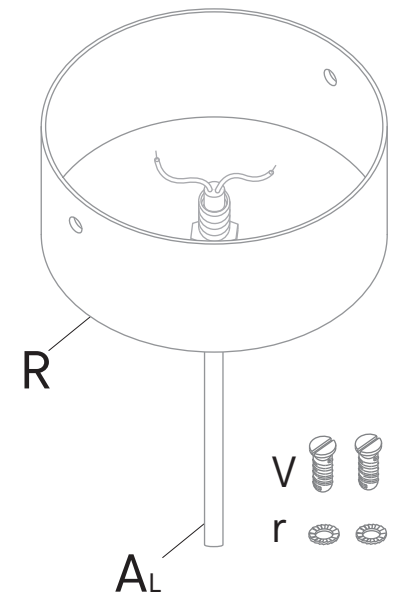
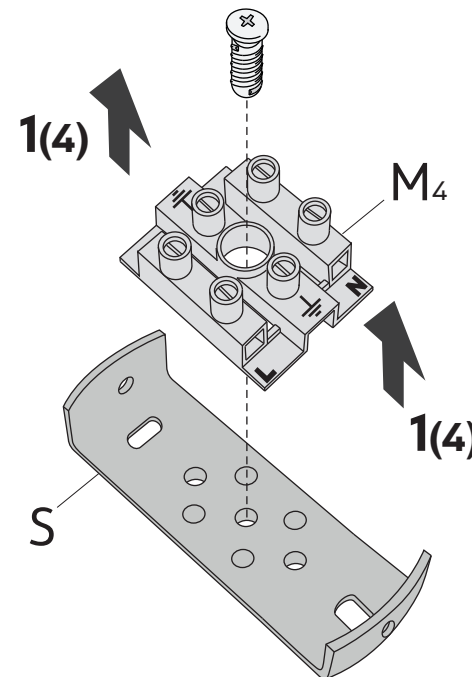
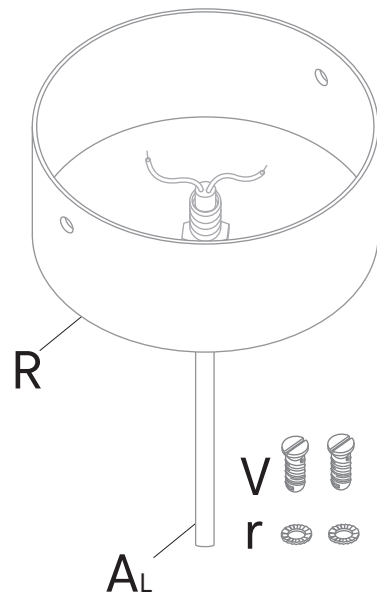
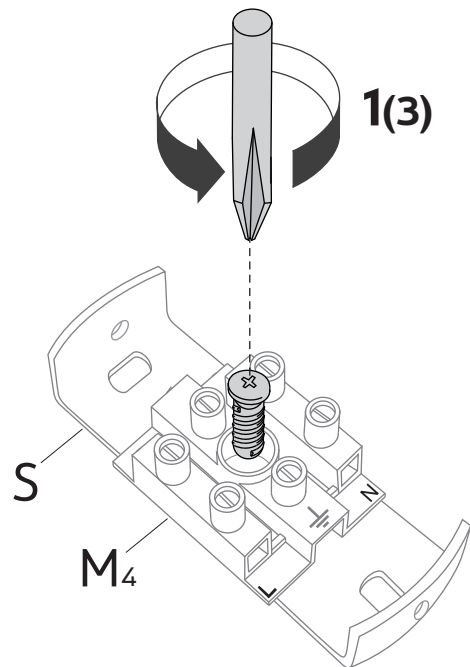


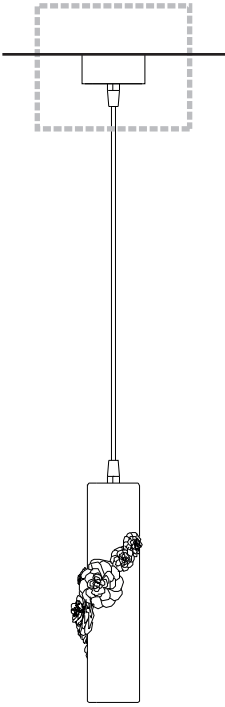
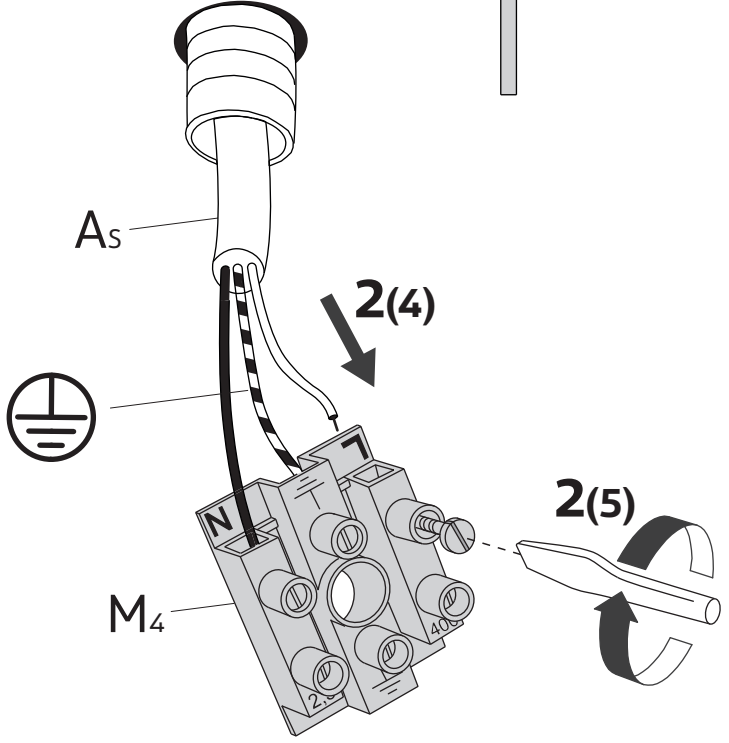
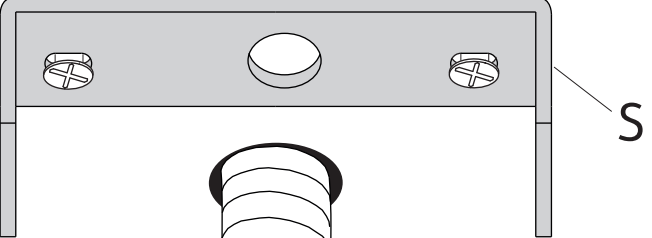
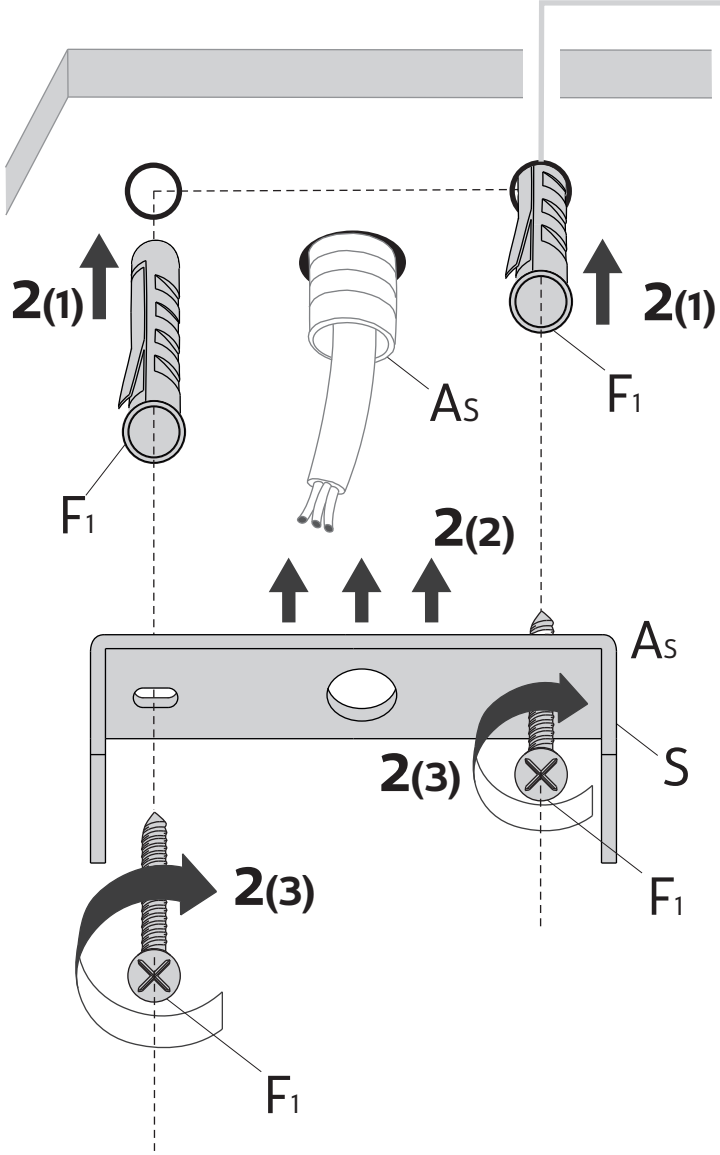
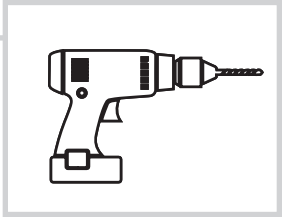
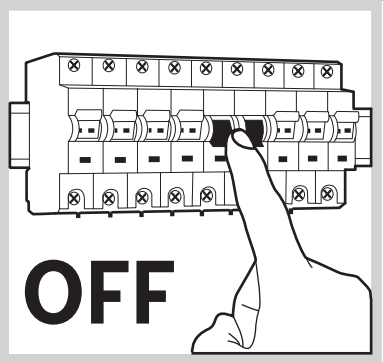
1X **L**

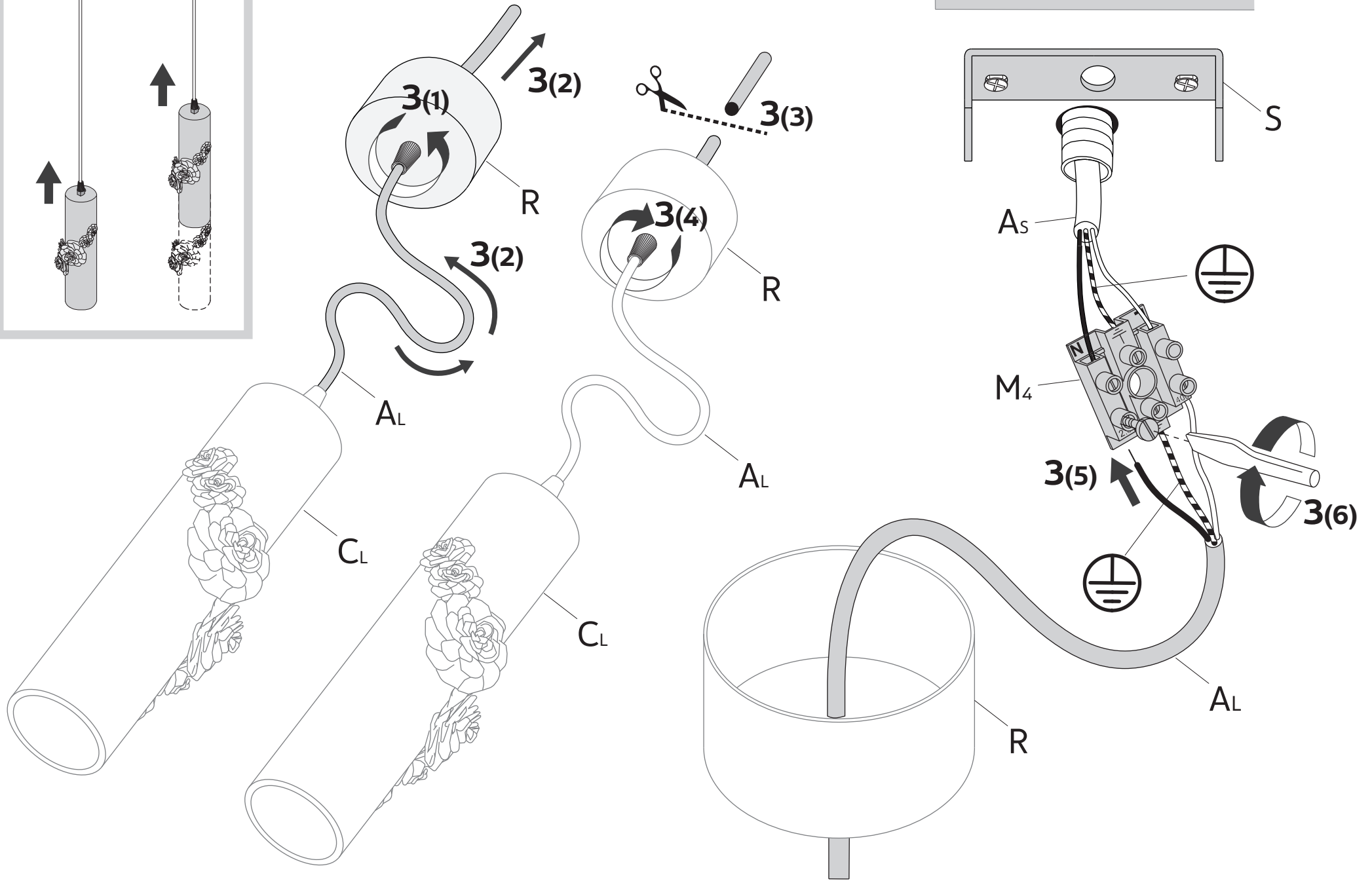
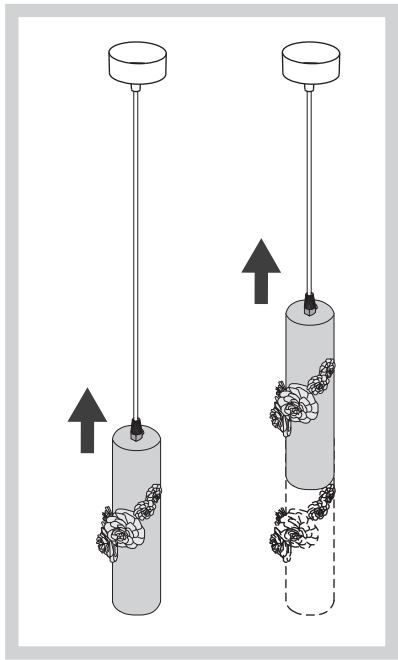


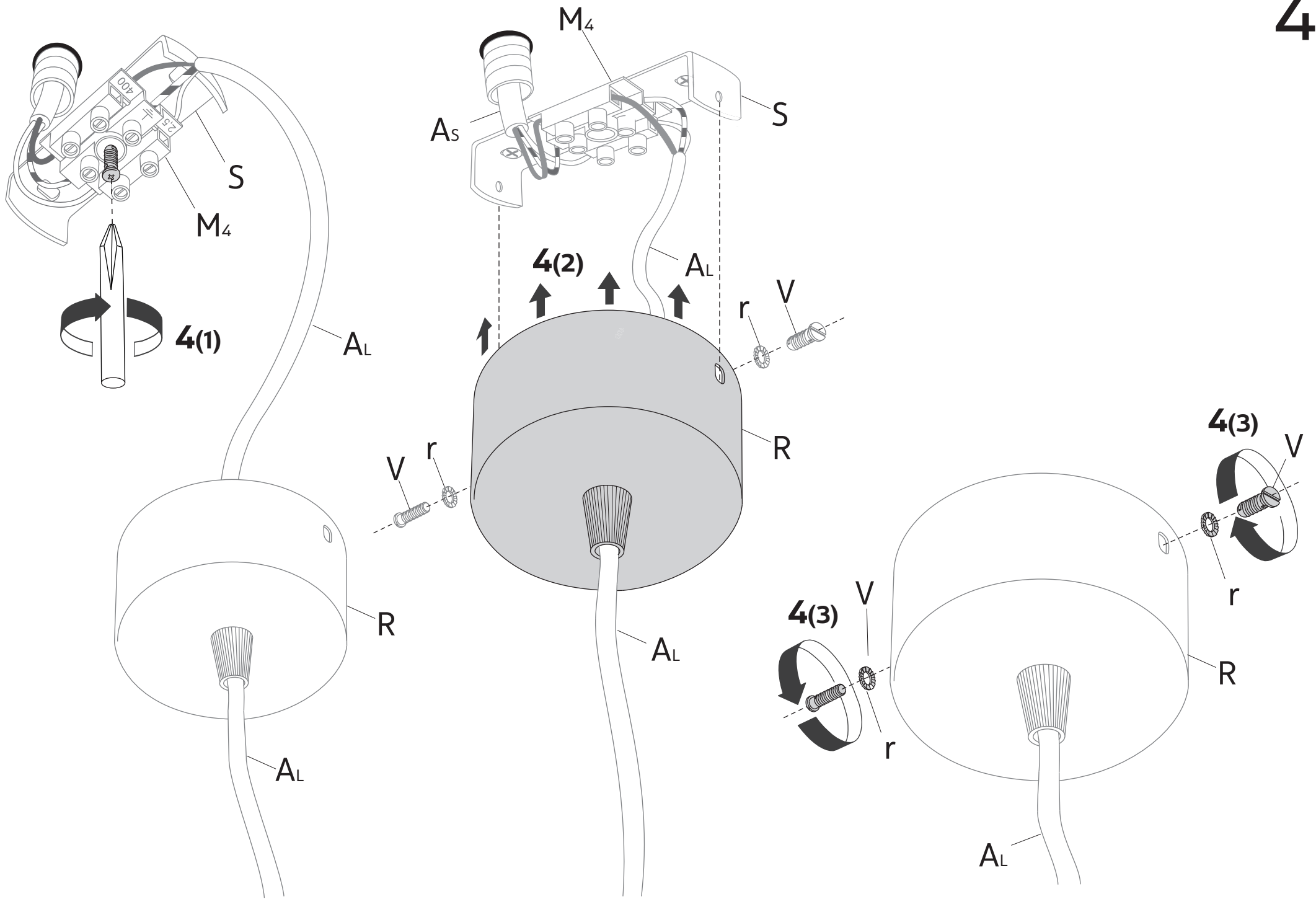


1









5

