

OMLED One s5

Minimalistic design

Delicate conductive suspensions serve as the pendant's current-carrying hanger assembly, making the lamp appear to float like a light surface in a room.

High quality material

Satin-finished clear glass as "light medium" lends the luminaire an almost floating appearance in a space.

Excellent light quality

By way of the pure, clear and very natural light of an OLED we achieve an excellent light quality and a very good colour rendering.

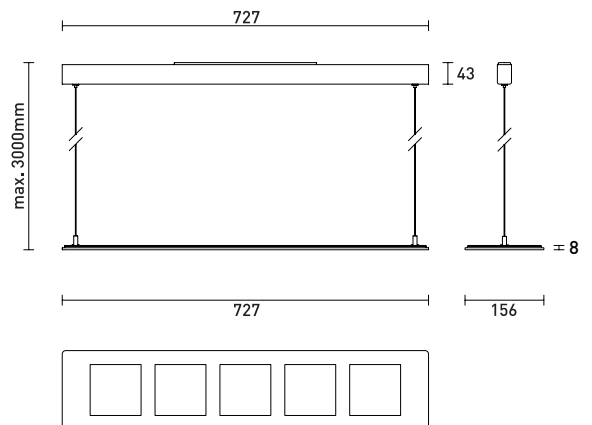
Forward-looking technology

The luminaire's glass case is circuit board and control element in one.



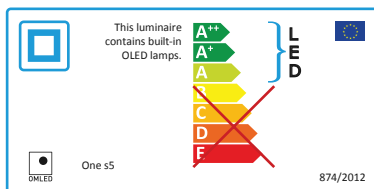
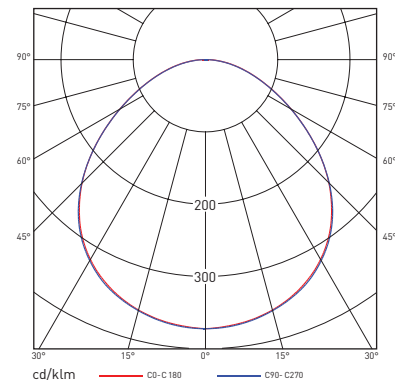
Technical data

Colour variants:	white	Art.No.: 199095
	black	Art.No.: 199096
Dimensions(LxWxH):	727mm x 156mm x 8mm	
Illuminant Material:	Glass, Steel	
Canopy material:	Stainless steel, Aluminium (white)	
Life time:	30,000 h	
Degree of protection:	IP 20	
Dimmable:	Touchdimmer	
Voltage:	24V DC	
Supply voltage:	220-240 V / 50-60 Hz	
Power consumption:	max. 30W	
Energy efficiency class:	A to A++	



Photometric data

Illuminant:	5x OLED
Colour temperature:	2800 Kelvin
Colour rendering index:	> 80 Ra
Luminous flux:	700 lm
Beam angle:	150°
Lightquality:	UVA & IR free light



We reserve the right to make technical changes without prior notice 02/2021

