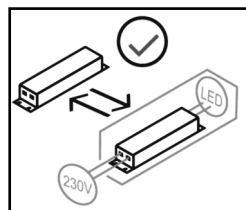
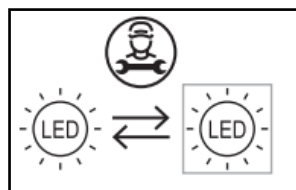
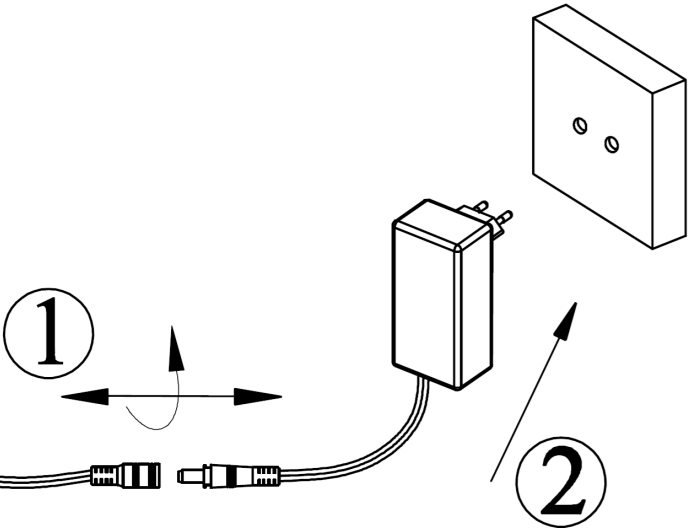
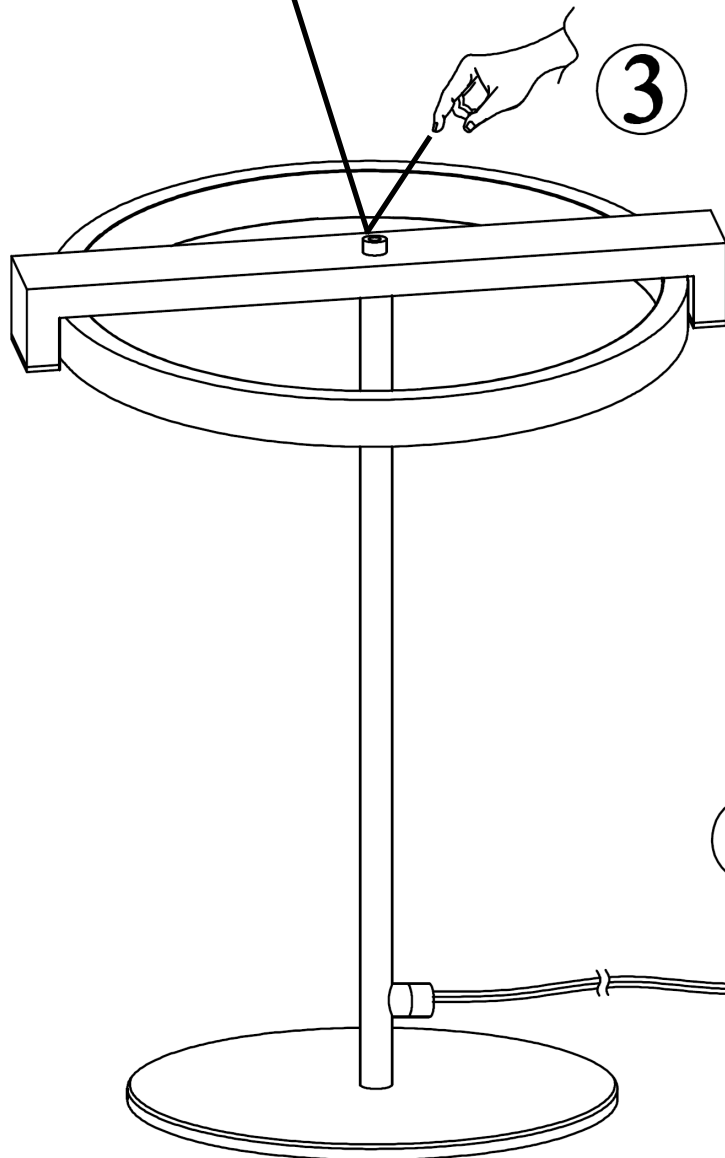
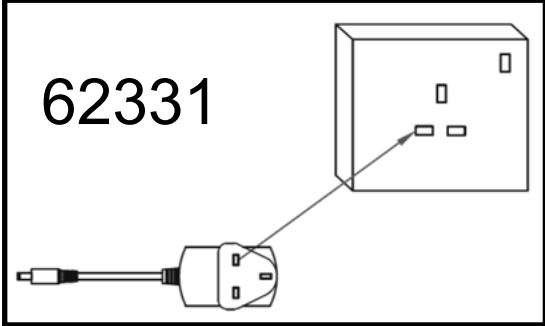


(LED)
3 STAGE TOUCH DIMMER



Q.C APPROVED
06/09/2024
ISSUE 2