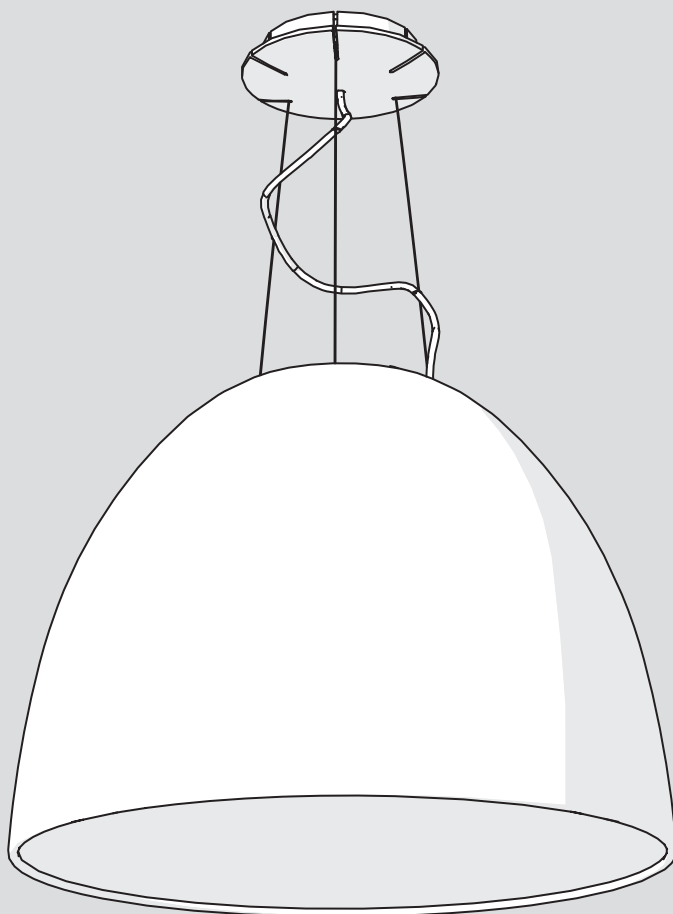


Artemide®

Nur INTEGRALIS®

design
Ernesto Gismondi

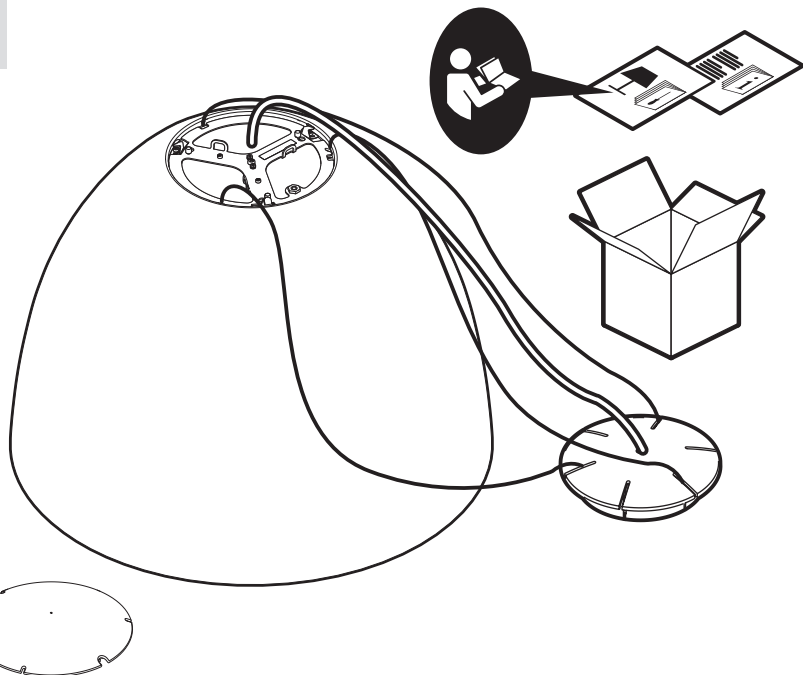




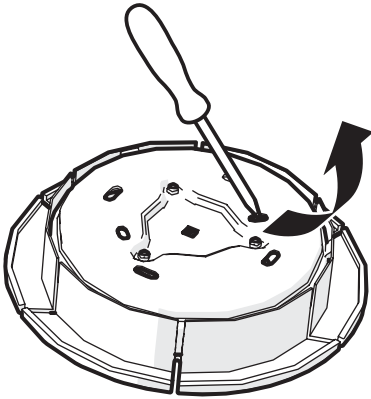
i



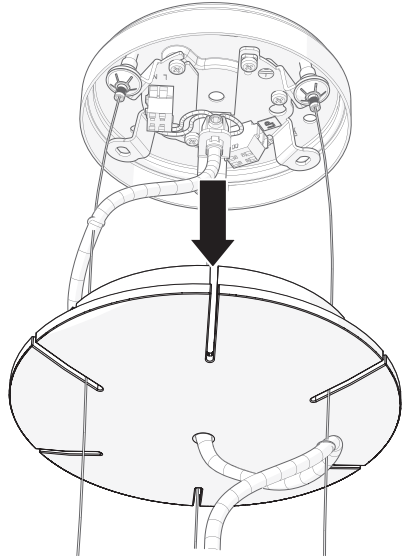
Artemide
INTEGRALIS



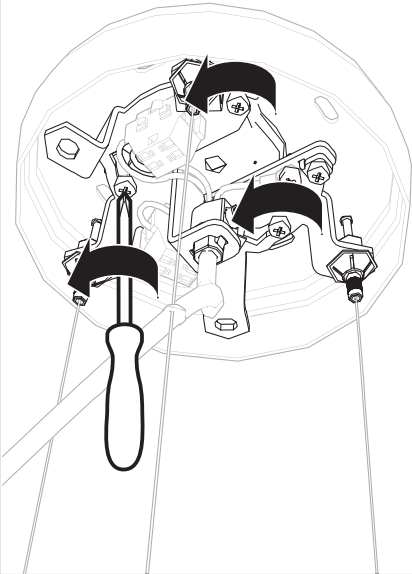
1



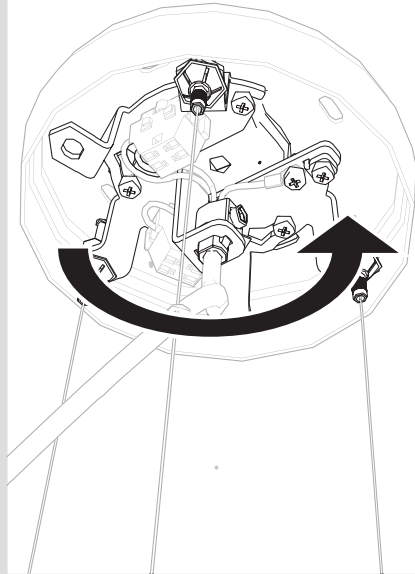
2



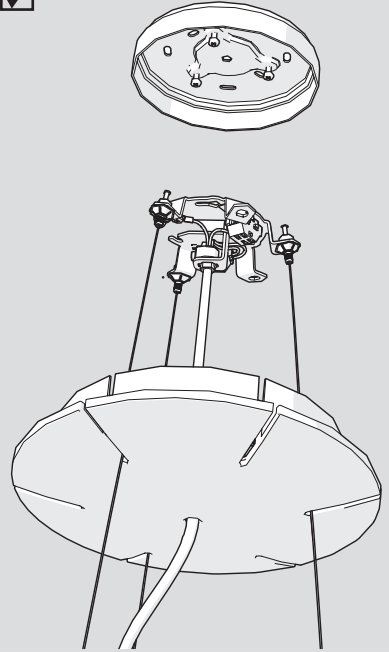
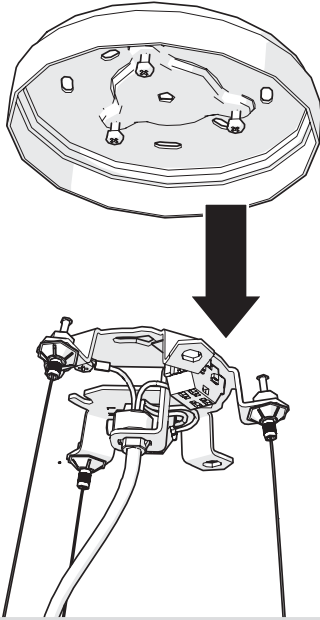
3



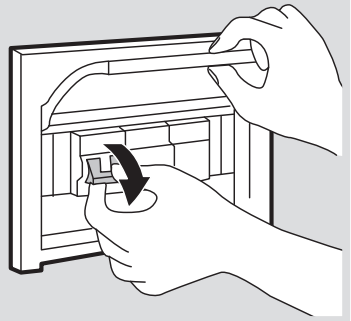
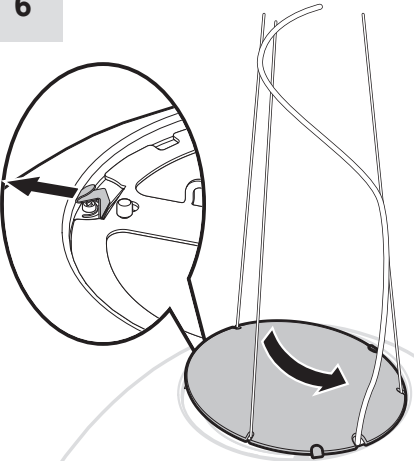
4



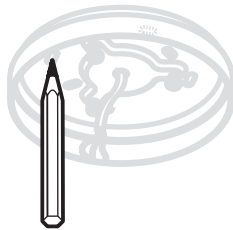
5



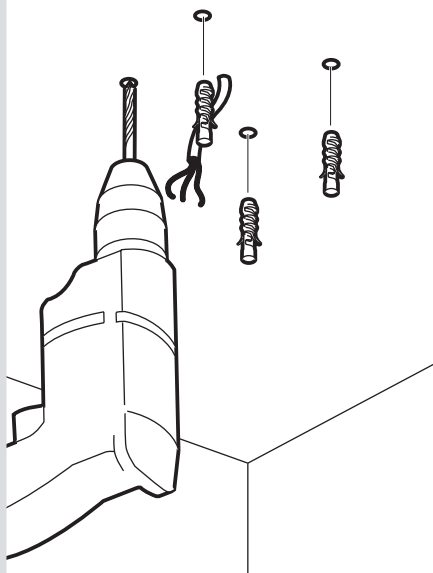
6



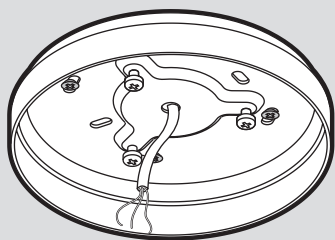
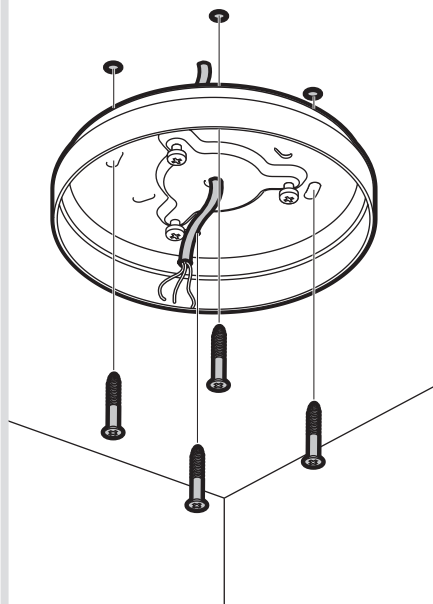
7



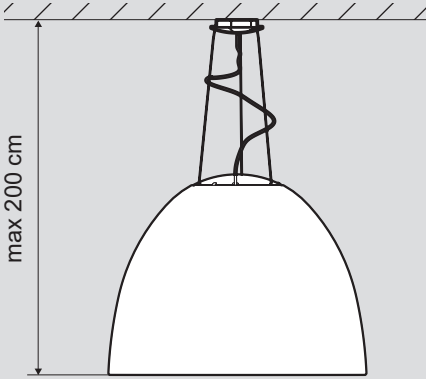
8



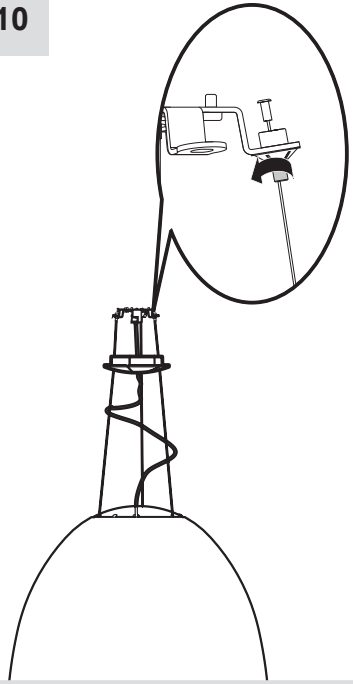
9



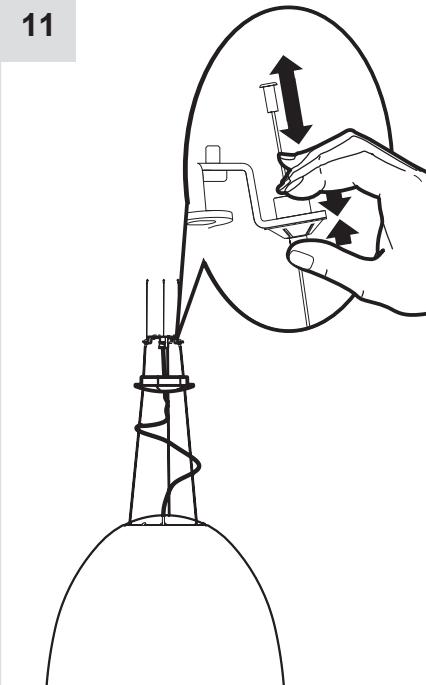
i



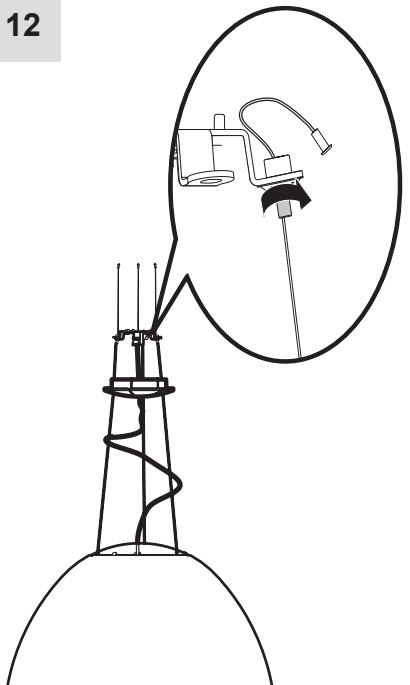
10



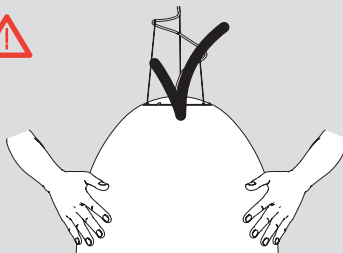
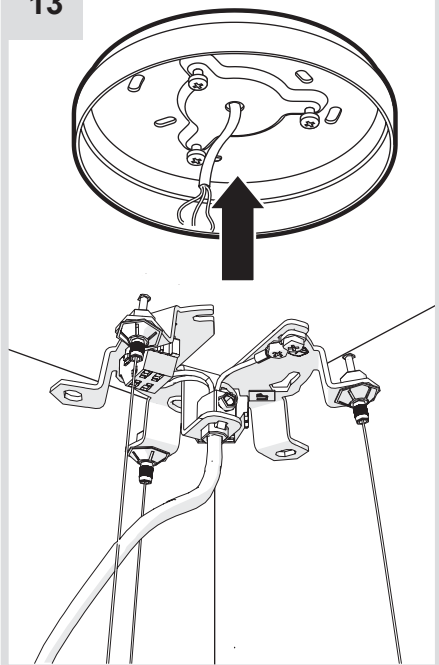
11



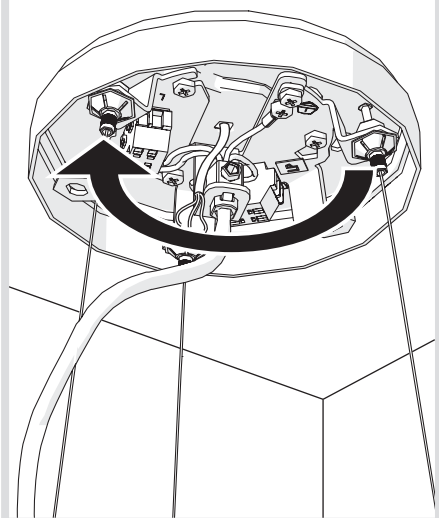
12



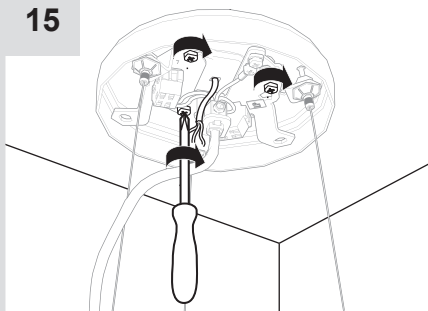
13



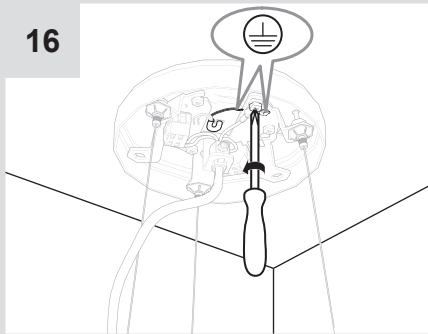
14



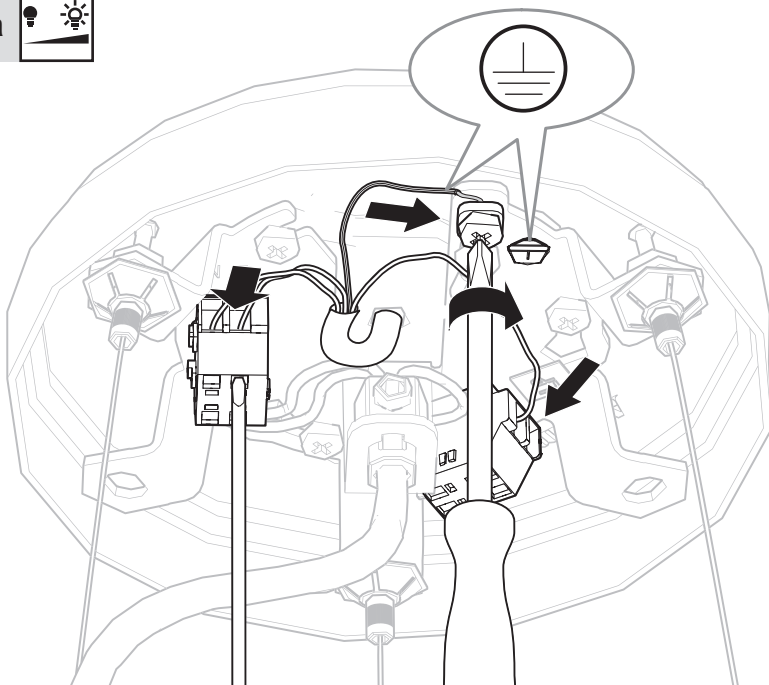
15



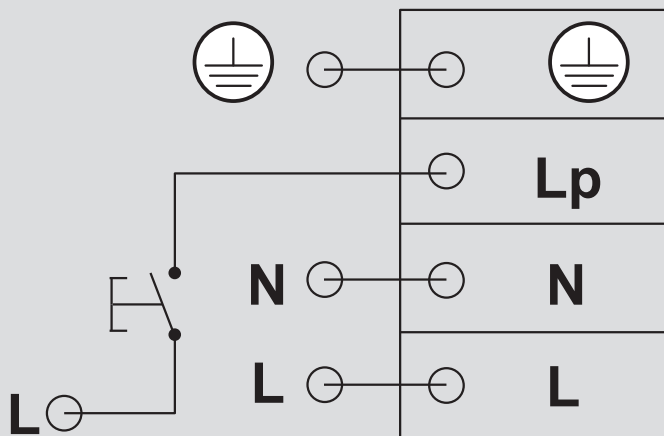
16



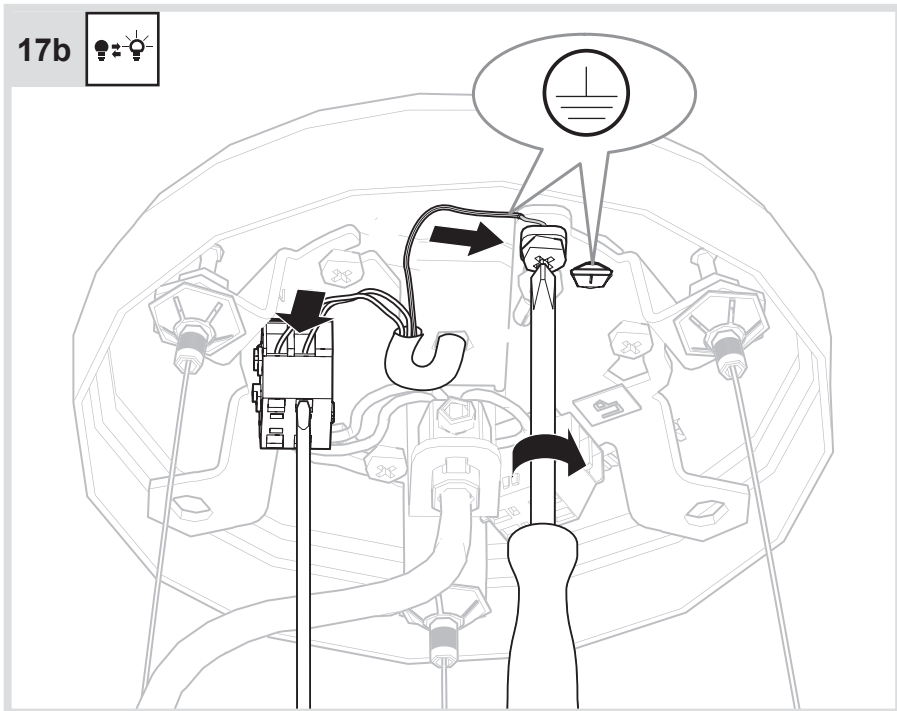
17a



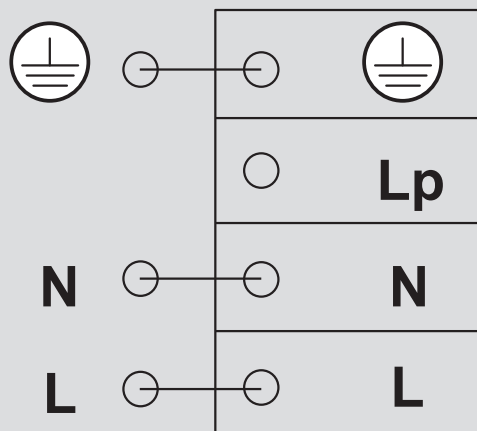
i



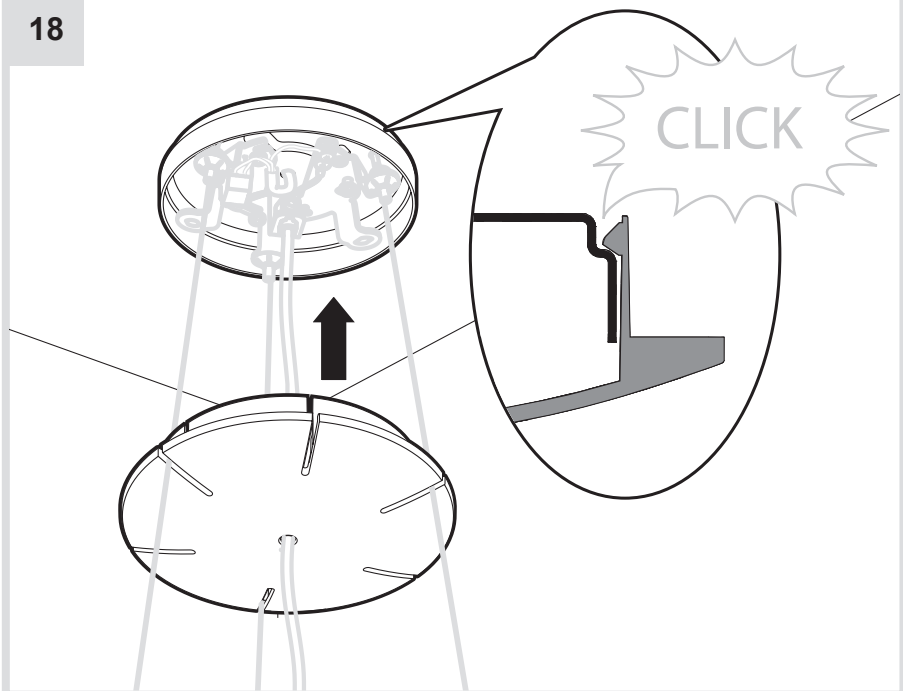
17b



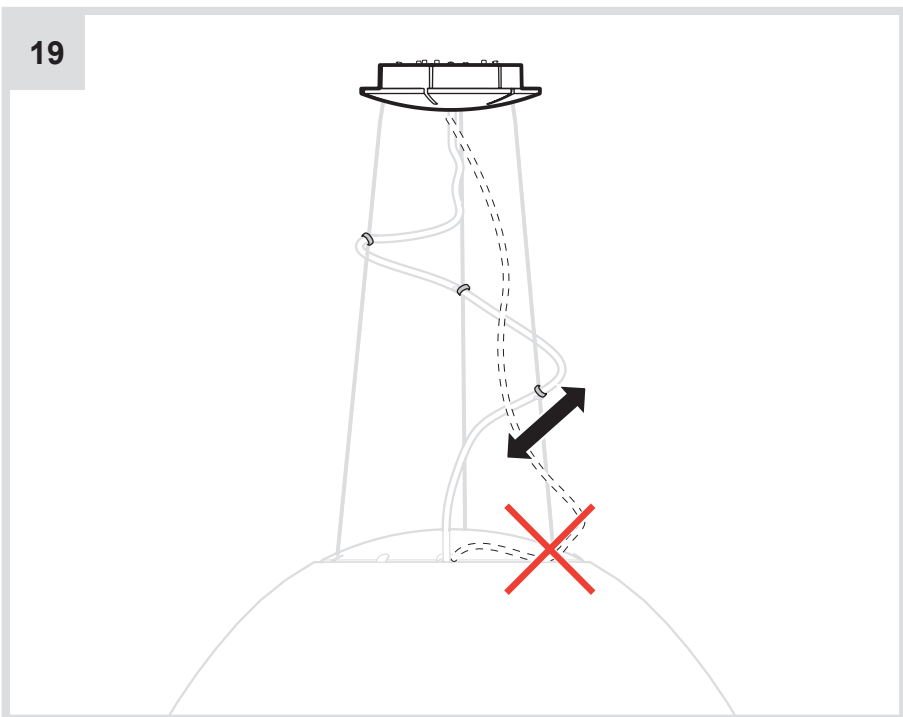
i



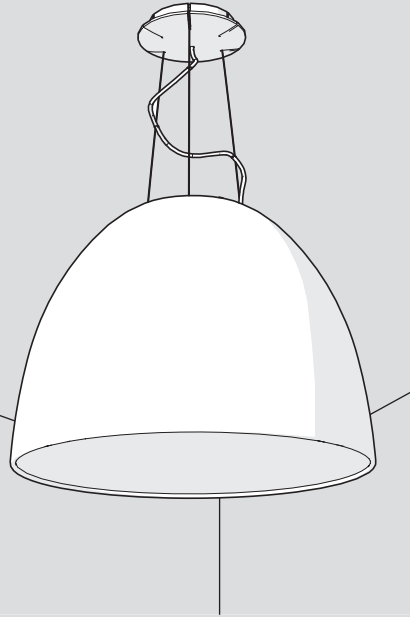
18



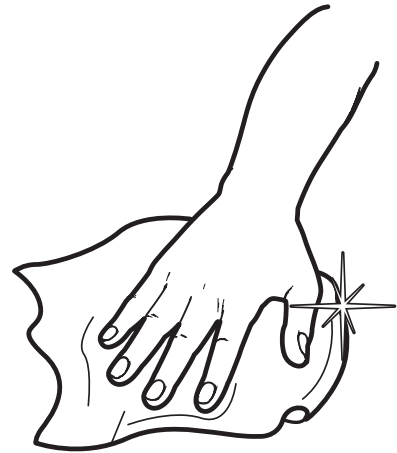
19



i



i



Artemide®



Artemide

via Bergamo, 18
20010 Pregnana M.se (MI)
ITALIA

tel. +39 02 935 181
fax +39 02 935 90 254
fax +39 02 935 90 496

www.artemide.com

VAT IT00846890150

cod. Y513001359A