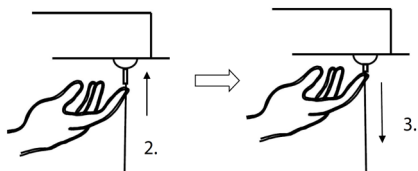


The support wires attached to the fitting allow adjustment of the fitting, the height can either be reduced or increased.

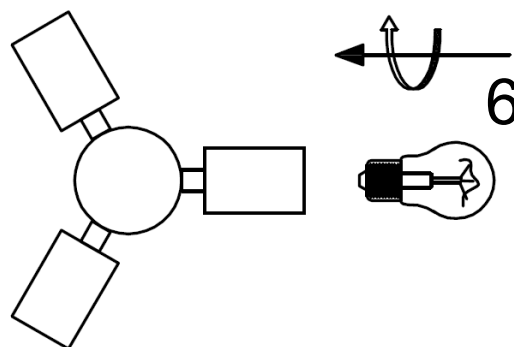
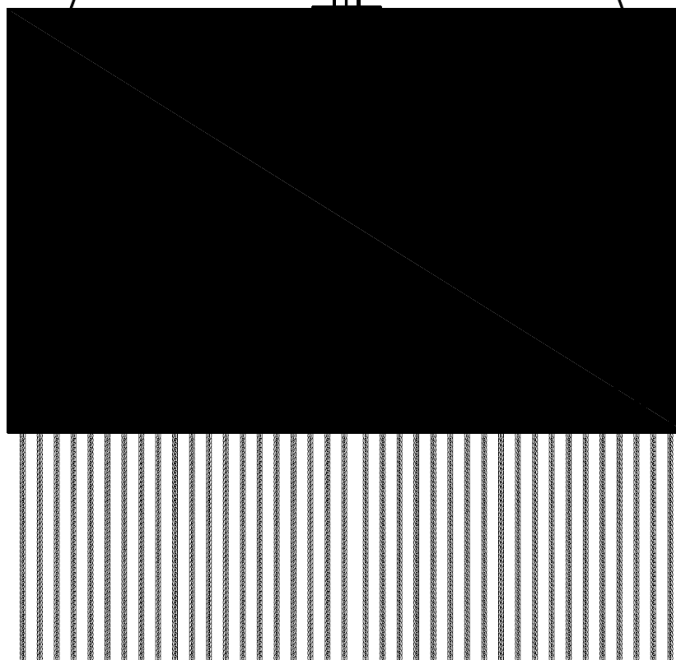
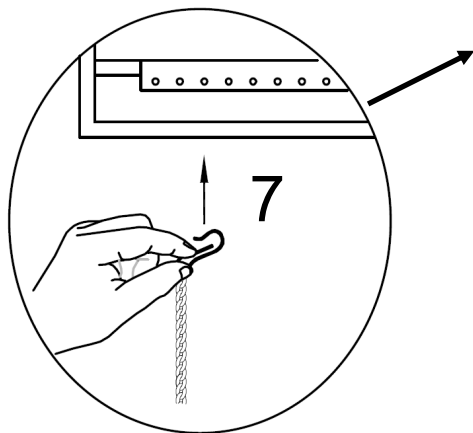
1. Hold each wire in turn and gently push upwards to the desired height, the support wire freely moves into the ceiling can.

If required the fitting can be lengthened back to its original height.



2. Push the small metal release pins in individually, this will release the clamp and allow each support wire to become free to lengthen.

3. The weight of the fitting is normally sufficient to lower each support wire, however should the cable not move freely, gently hold the support wire whilst the pushing and release pin and pull down on the cable.



## **SAFETY INFORMATION: (Please retain for future reference)**

- Always turn off the mains supply before commencing the installation of this fitting .
- This is a Class 2 product and not requires a Earth connection  
- 230 (240) Volts-50Hz .
- This product must be installed in accordance with the national building and wiring regulations, if in doubt consult a qualified electrician.
- We do not recommend any modifications of the fitting as this may invalidate the warranty and render the fitting unsafe .
- This fitting is suitable for installation in Indoor locations only .
- Do not mount the fitting in a damp atmosphere.
- Allow the bulbs to cool (10 minutes) before replacing them
- Ensure sufficient access to the fitting to enable safe maintenance.

### **LAMP INFORMATION:**

- This fitting is suitable for use with normal incandescent or LED lamps.
- This fitting is suitable for dimming , however if the luminaire is fitted with LED lamps they must be a “dimmable “ version
- Do not exceed the maximum rated wattage stated on the lamp holders.

### **AFTERCARE AND MAINTENANCE:**

- Always disconnect power supply when servicing or cleaning.
- Clean only with a dry or slightly damp cloth.
- Do no use any abrasive cloths or cleaners as this may damage the product

### **MAINS SUPPLY**

### **LIGHT FITTING**

