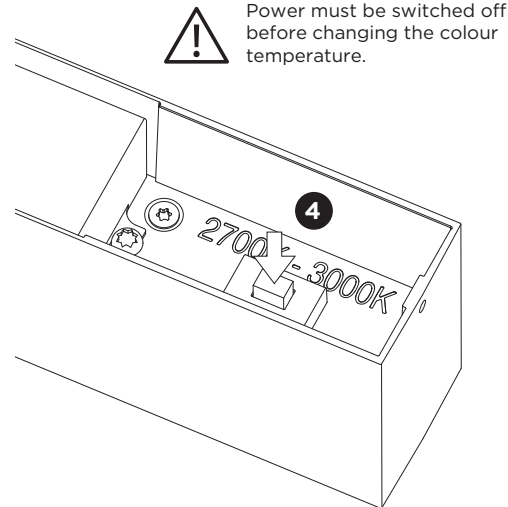
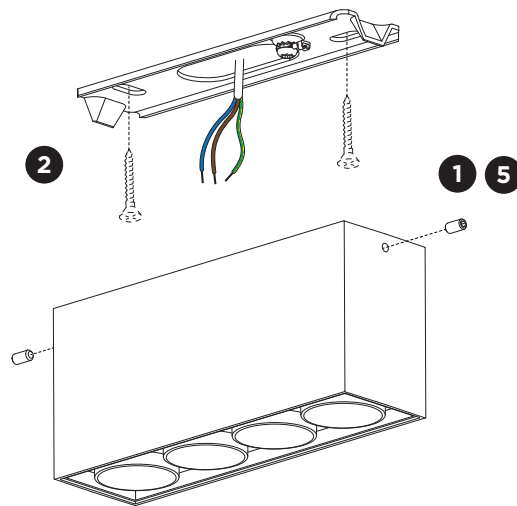
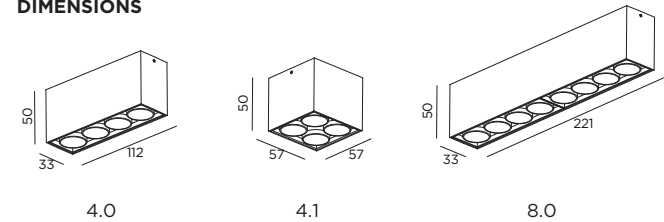


LINOO SURFACE

INSTALLATION INSTRUCTIONS | FEBRUARY 2025



DIMENSIONS



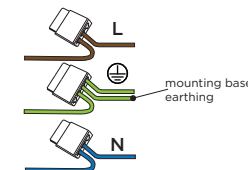
MOUNTING INSTRUCTION

1 Remove the mounting base from the fixture by loosening the socket screws.

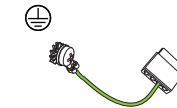
2 Mount the base on the wall with screws (screws are not included).

3 POWER CONNECTION

Connect to 220-240V.

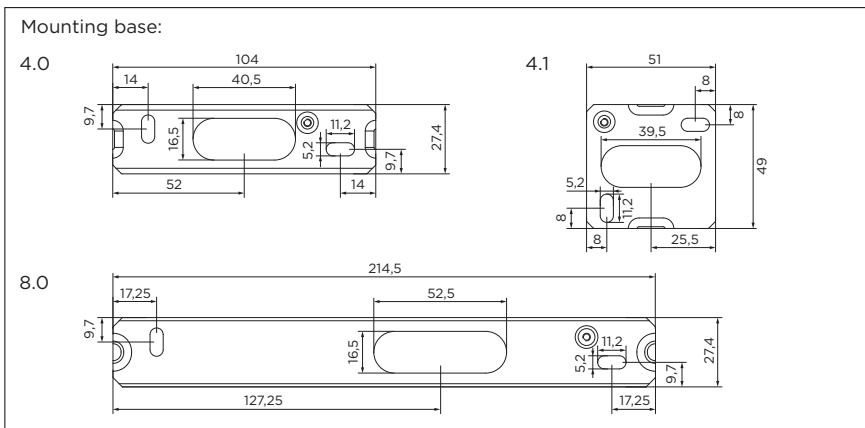


Connect the earth cable.



4 Change the colour temperature with the switch on the backside. The power must be switched off before changing the colour temperature.

5 Fix the luminaire on the base with the socket screws.

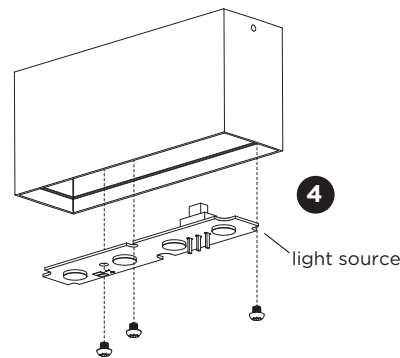
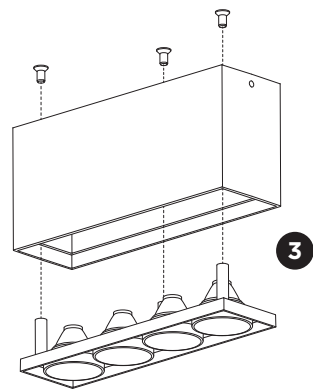
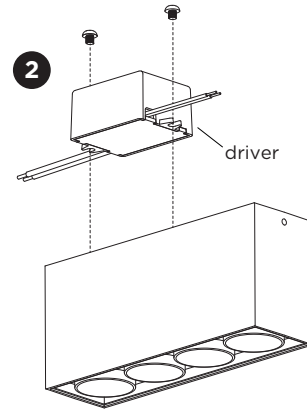
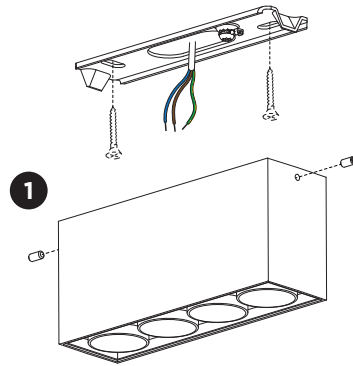


WEVER & DUCRÉ
LIGHTING

WEVER & DUCRÉ BV
Spinnerijstraat 99/21, 8500 Kortrijk, Belgium
weverducre.com

LINOO SURFACE

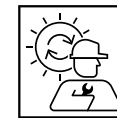
INSTALLATION INSTRUCTIONS | FEBRUARY 2025



DISMOUNTING AND RECYCLING INSTRUCTIONS

Light source & driver

- 1 Loosen the socket screws to remove the fixture from the mounting base.
- 2 Disconnect the wires and unscrew the driver to remove it.
- 3 Remove the reflector and lenses by loosening the screws.
- 4 Unscrew the light source to remove it.



The light source is replaceable by Wever & Ducré or by a professional with explicit authorisation. For more information please contact your local Wever & Ducré customer service point.



The driver can be replaced by the end user.



This luminaire contains a light source with the energy class F.