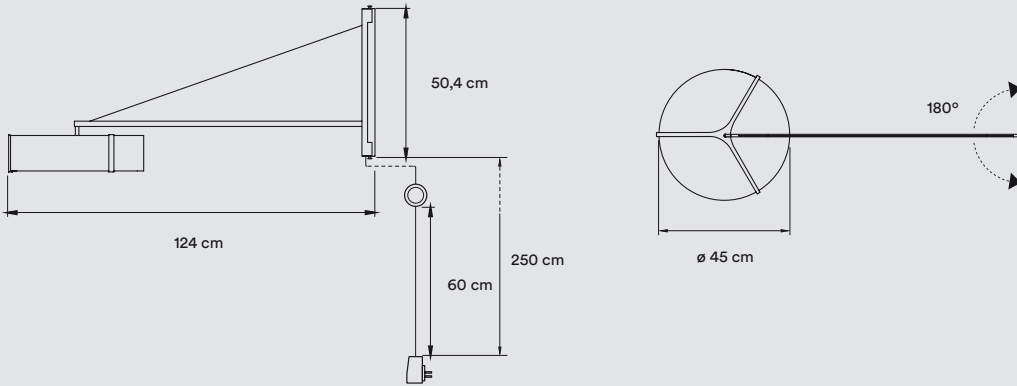


**SWING MECHANISM**



**REF.**

- THES A BK LED DIM
- THES A IV LED DIM
- THES A NI LED DIM
- THES A GD LED DIM

**LIGHT SOURCE**

Class II  

230V Dimmable

**Driver:**

Constant Voltage 24V

**LED Integrated:**

Led module

Energy class F

3.000K, CRI>90, 25W, 50-60Hz, 1084 lm\*

Available in 2.700K and 4.000K on request

\*Measurements obtained by theoretical calculations at LZf using ivory white shades. Veneer Ref: 20 Ivory White.

**PACKAGING**

Box Size: 119 × 67 × 22 cm

Box Volume: 0,18 m<sup>3</sup>

Weight: Gross - 9,6 Kg | Net - 2,8 Kg

**MATERIALS & COMPONENTS**

Wood Veneer Shade





Optional Acrylic Diffuser

Metal Tripod & Structure

Black Electrical cable with Dimming Switch: 250 cm

**FINISHES**

**WOOD VENEER**

- |   |  |
|---|--|
|  20 Ivory White    |  22 Natural Beech |
|  21 Natural Cherry |  29 Grey          |

**METAL**

- |  |   |
|--|---|
|  BK-Matte Black |  NI-Matte Nickel |
|  IV-Matte Ivory |  GD-Gold         |