

### Safety Instructions

1, 2, 3, 4, 5, 6, 7, 10, 12, 13, 14, 15, 16,  
17, 18, 19, 20, 22, 24, 28, 29, 31, 32, 33, 34



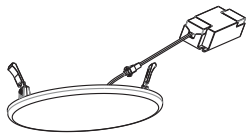
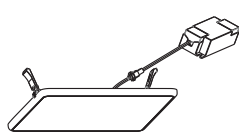

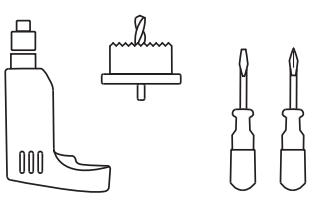


Info

[www.paulmann.com](http://www.paulmann.com)

Paulmann Licht GmbH  
Quezinger Feld 2  
31832 Springe  
Germany

[www.paulmann.com](http://www.paulmann.com)

<p>Art.-Nr.: 923.88 923.91 923.94 923.97</p> <p>(+MA 326) PVI 03/20</p> 	 <p>Art.-Nr.: 923.88 923.91</p>  <p>1x Incl. 2x</p>	<p>Art.-Nr.: 923.94 923.97</p>  <p>1x Incl. 2x</p>	 
--	---	---	---

