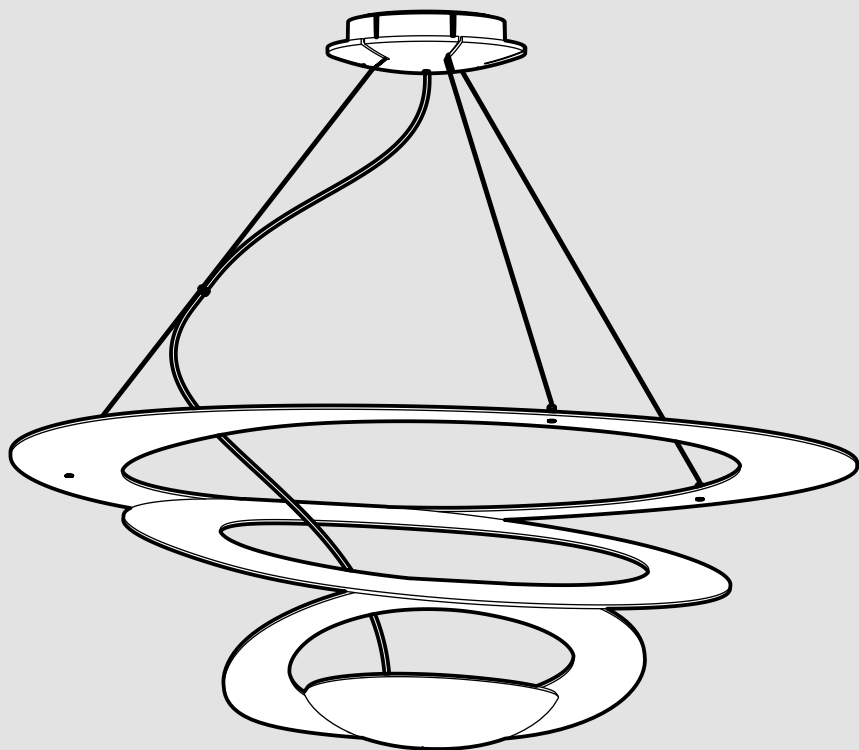


Artemide®

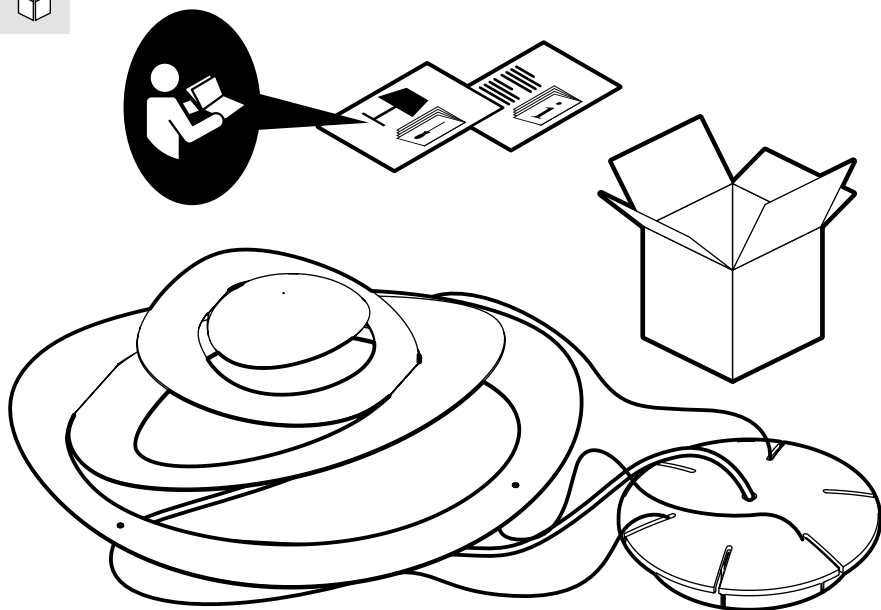
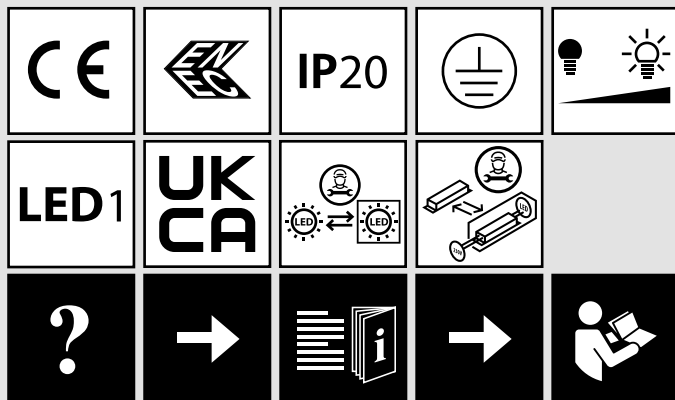
Pirce

design
G. M. Scutellà

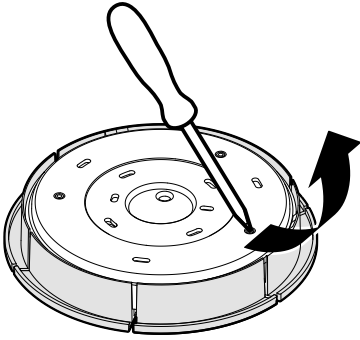




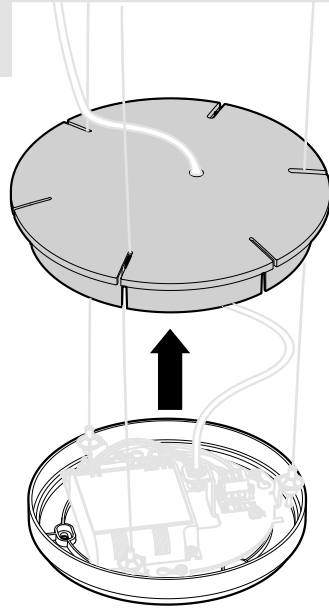
i



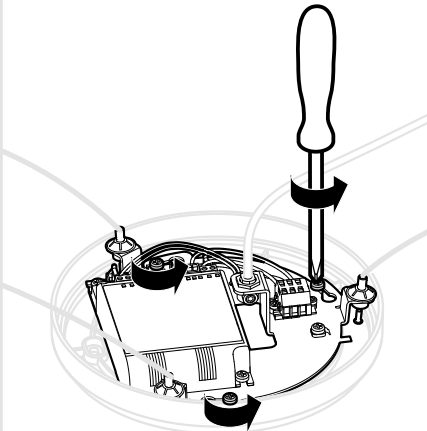
1



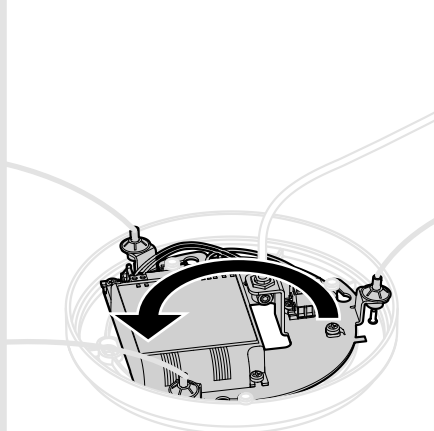
2



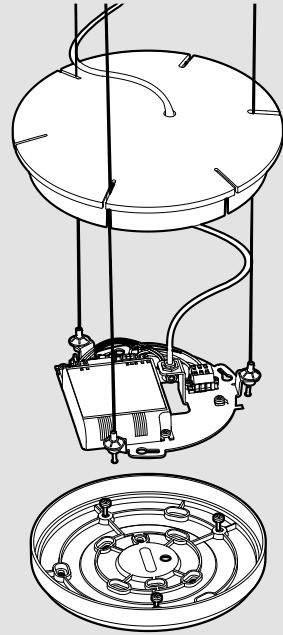
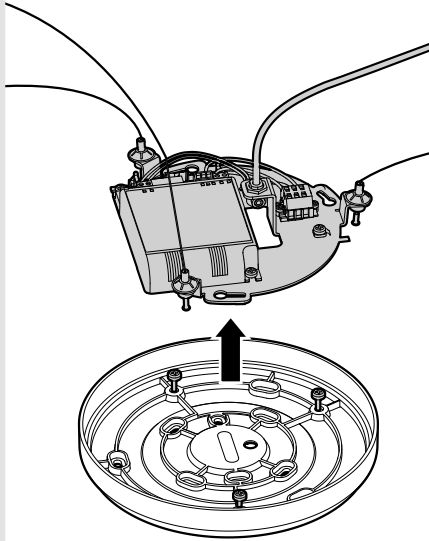
3

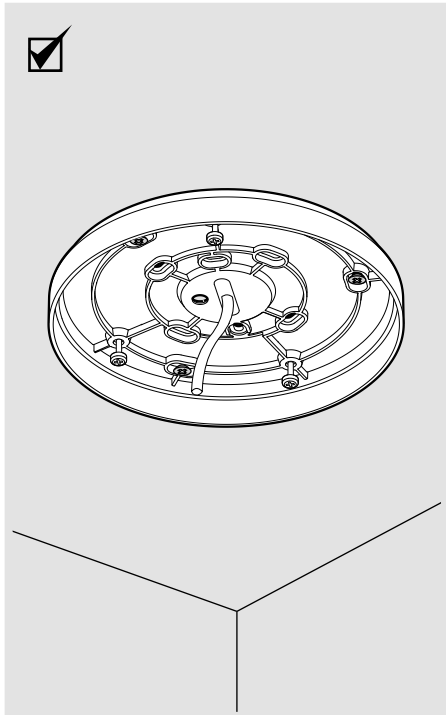
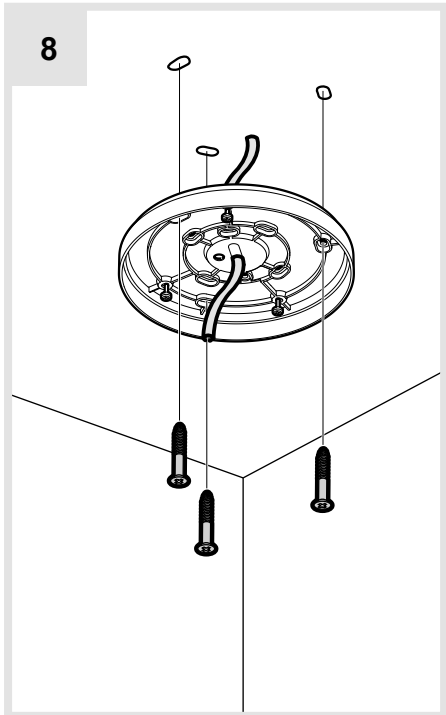
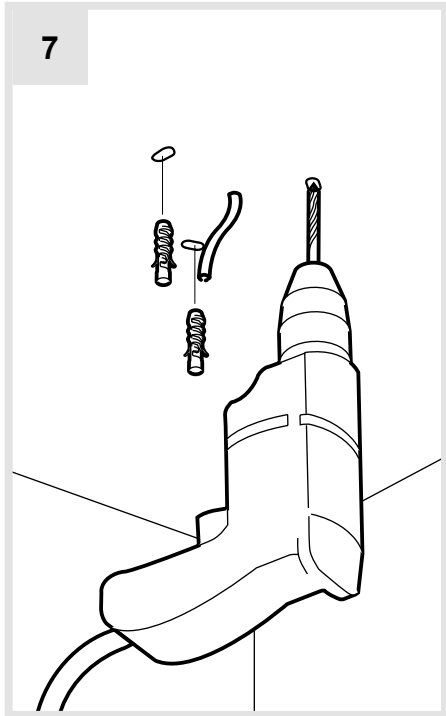
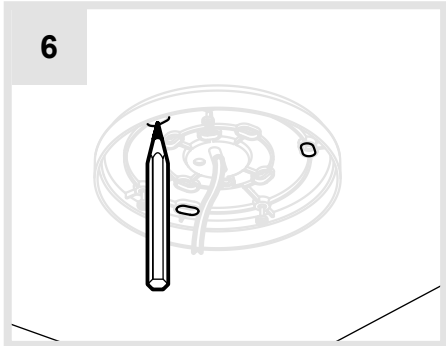
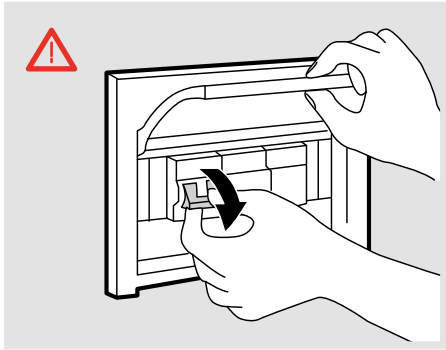


4

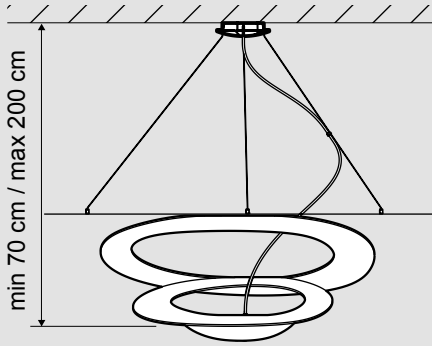


5

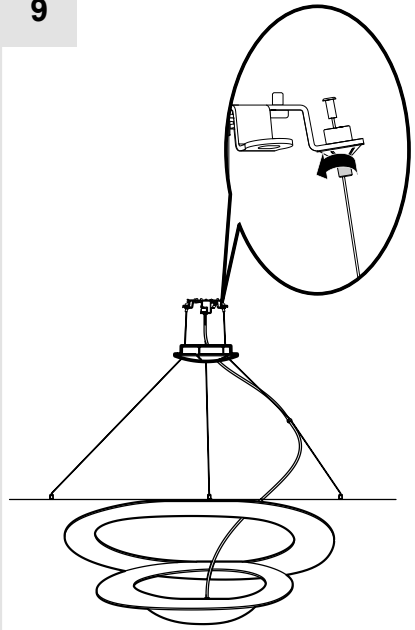




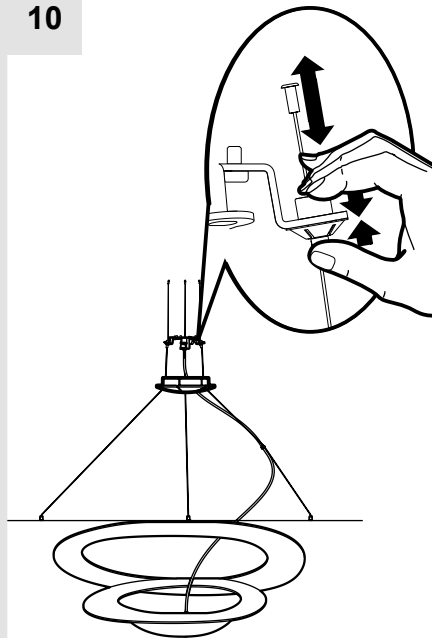
i



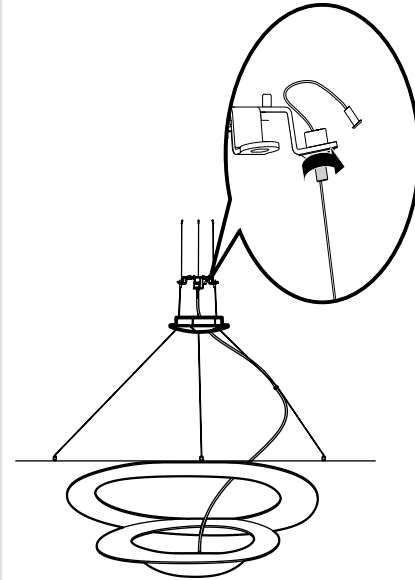
9



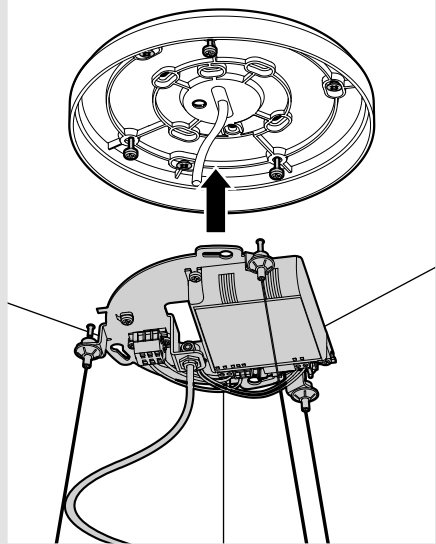
10



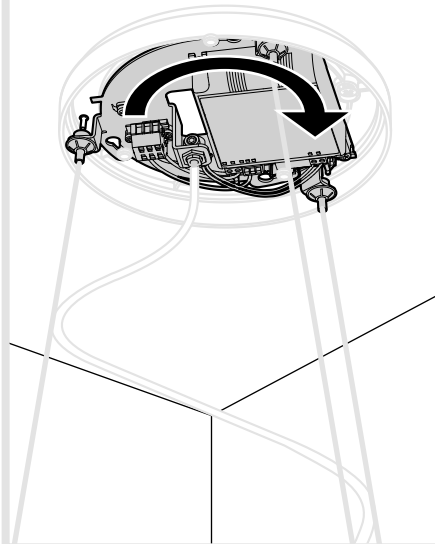
11



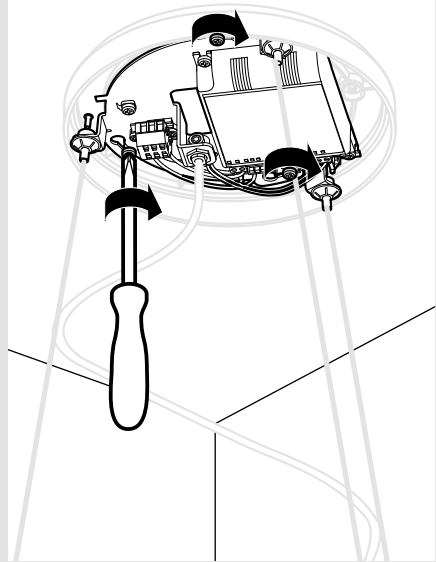
12



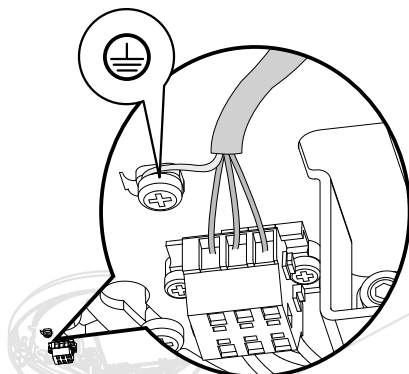
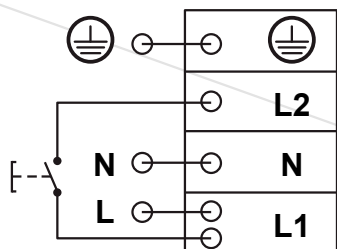
13



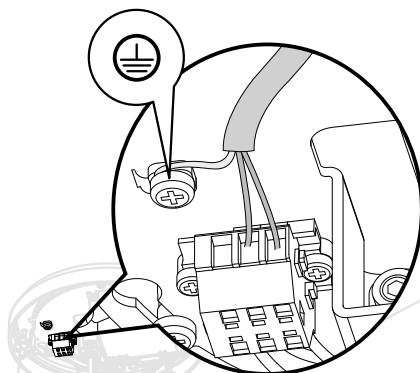
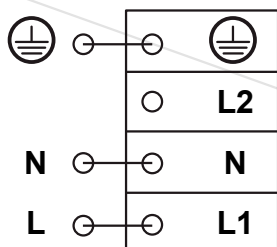
14



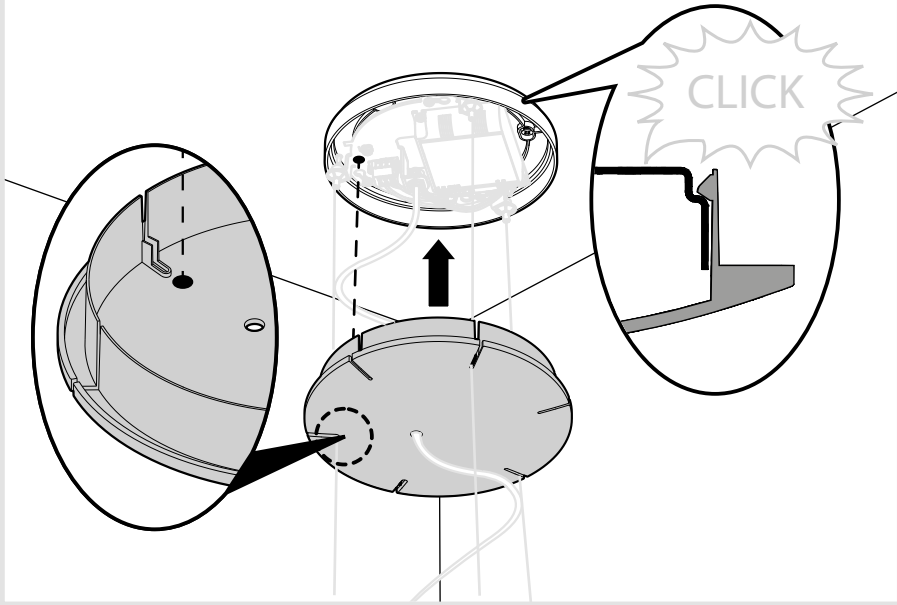
15a



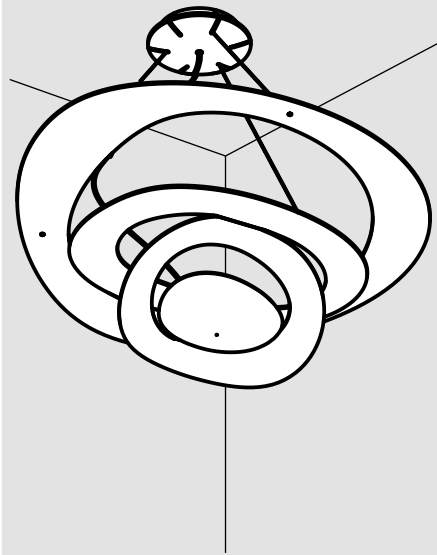
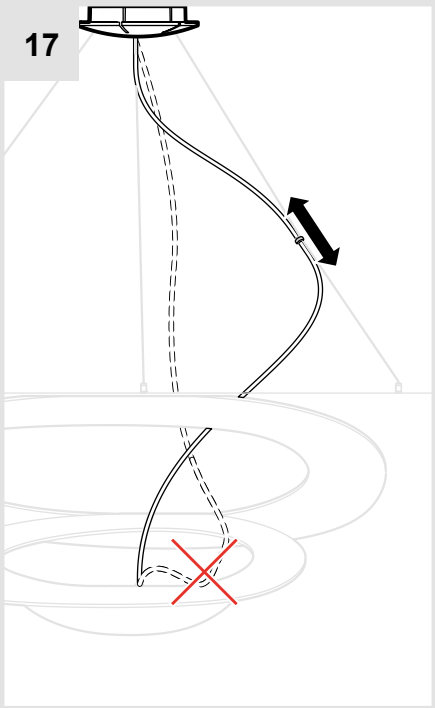
15b



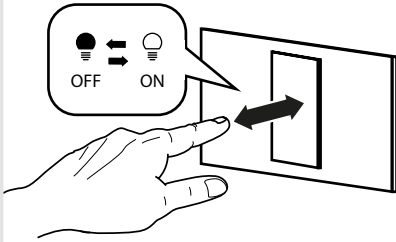
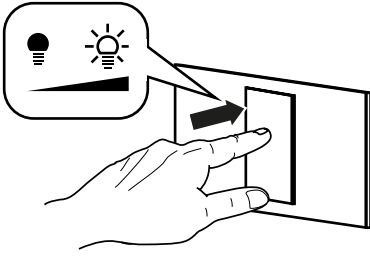
16



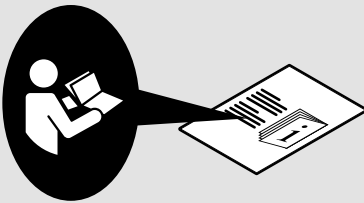
17



i



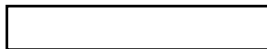
i



1



Artemide®



Artemide

via Bergamo, 18
20006 Pregnana M.se (MI)
ITALIA

tel. +39 02 935 181
fax +39 02 935 90 254
fax +39 02 935 90 496

www.artemide.com

VAT IT00846890150

cod. Y513000125D