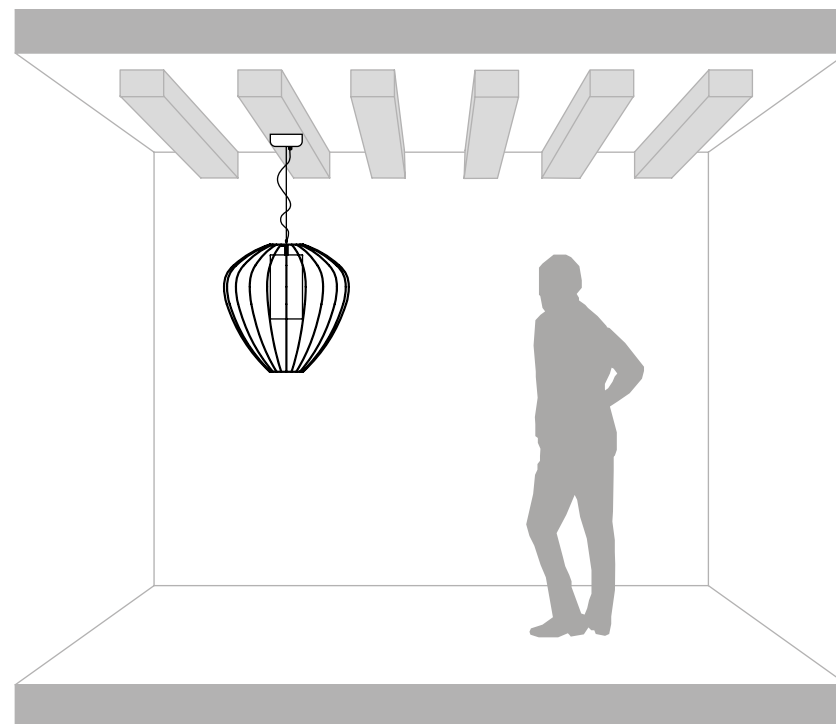




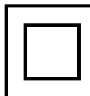


CELL

SE612B-EXT
SE613B-EXT
SE615B-EXT
+ SRO262BEXT

SE612 AM EXT
SE613 BM EXT
SE615 DM EXT
+ SRO261NEXT

220-240V
1 x max 23W - E27

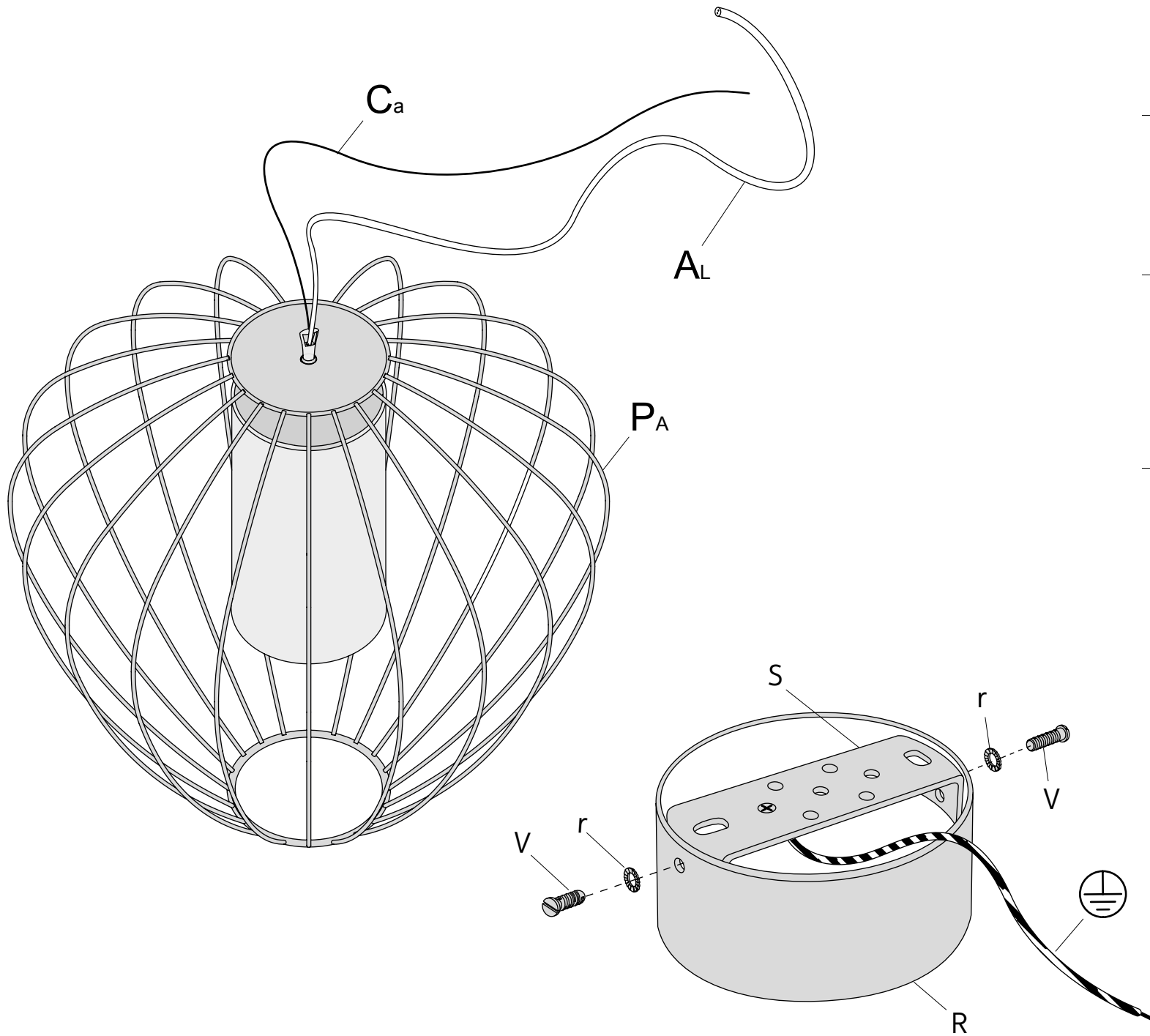


IP65     

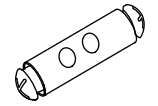
Karman srl

Via A. Grandi, San Martino del piano, 61034 Fossombrone (PU), Italy - p.iva 02175640412 tel +39 0721 71 5042 r.a fax +39 0721 716640 - www.karmanitalia.it

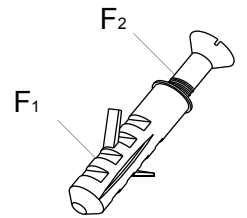
C - 01



1x **B_a**

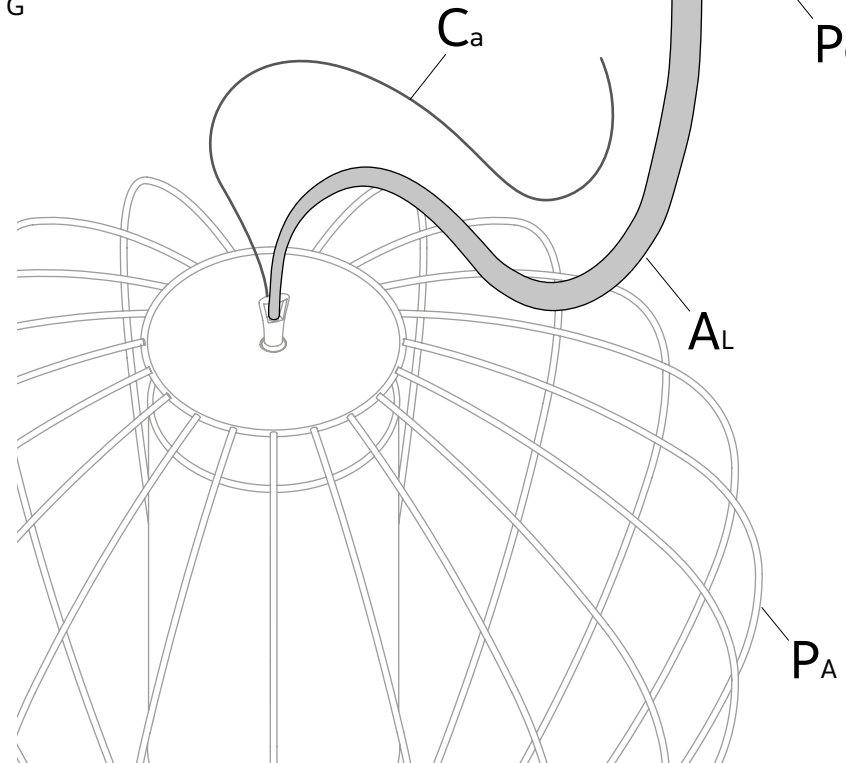
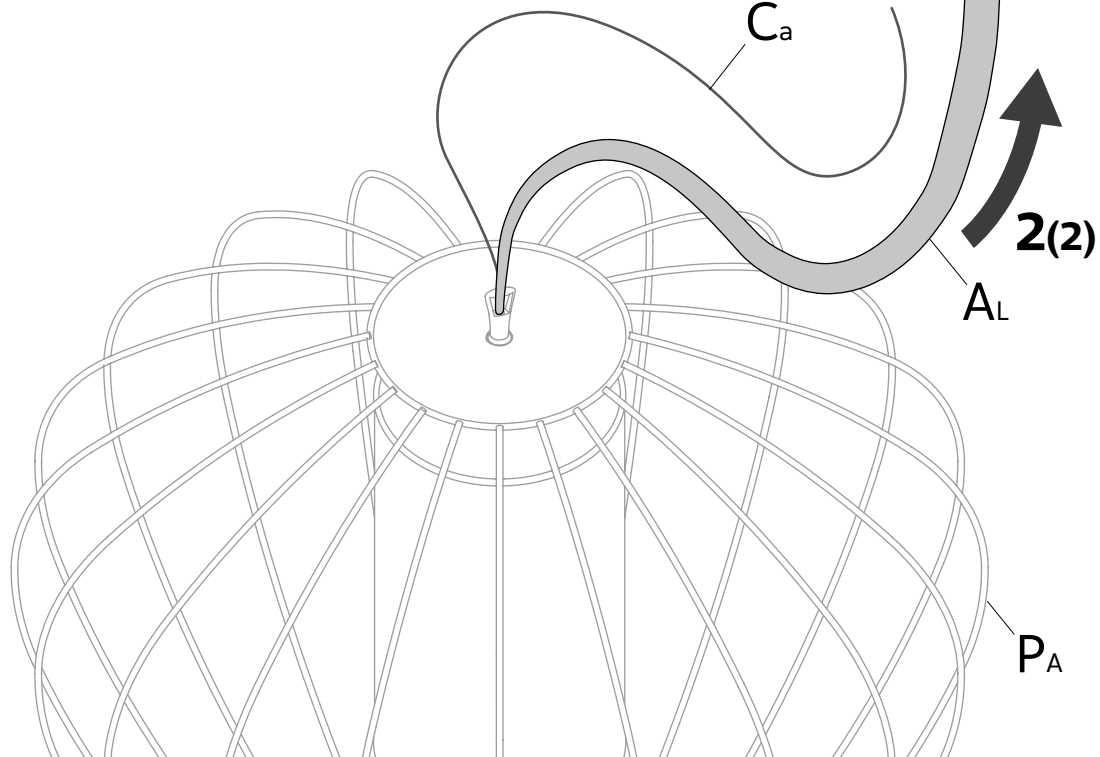
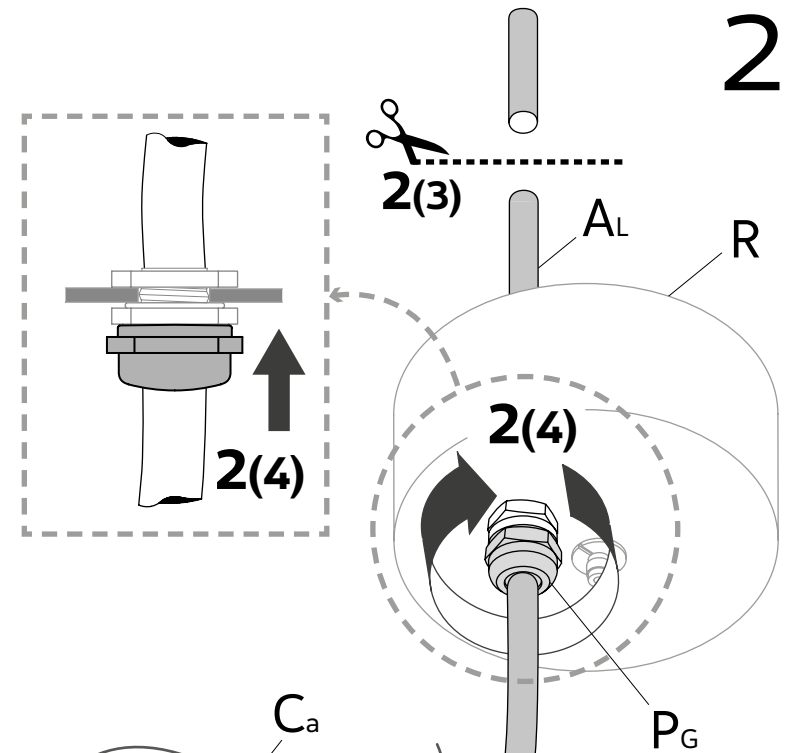
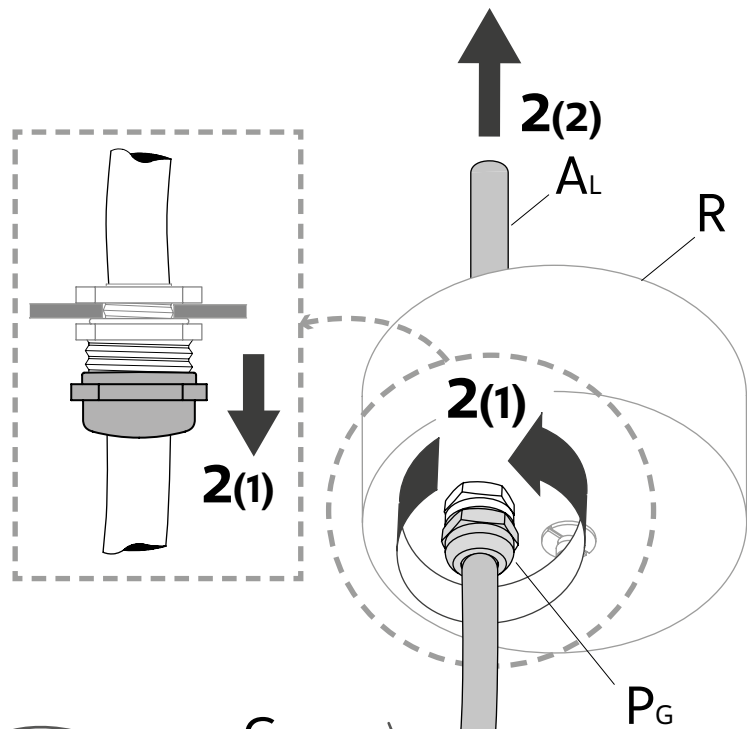
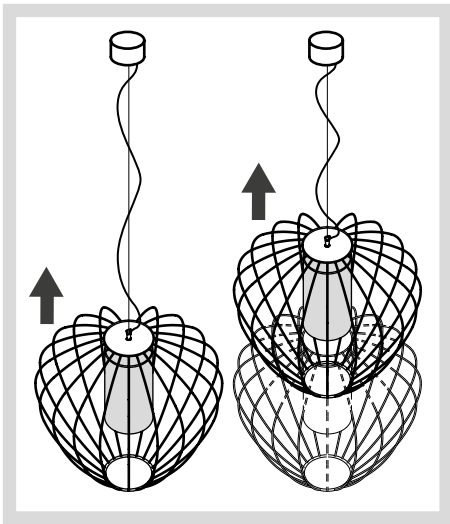


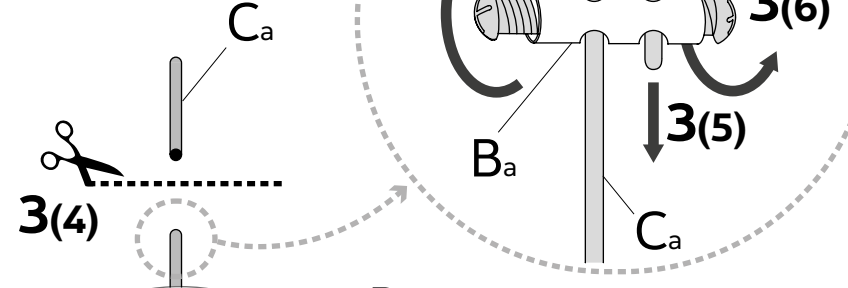
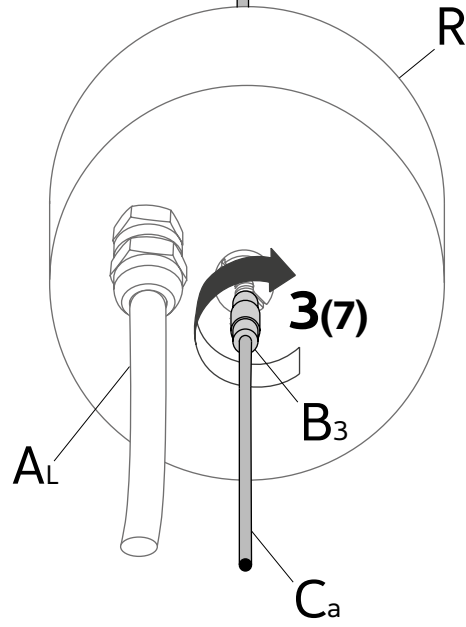
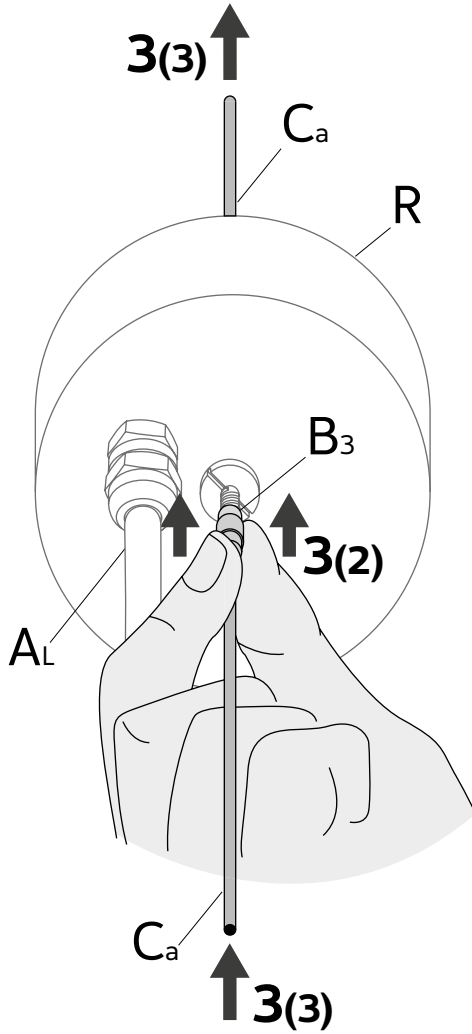
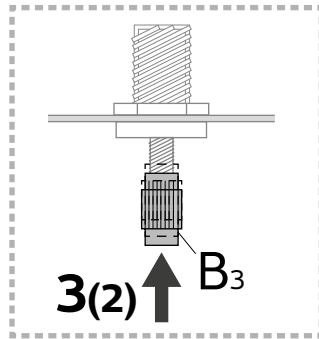
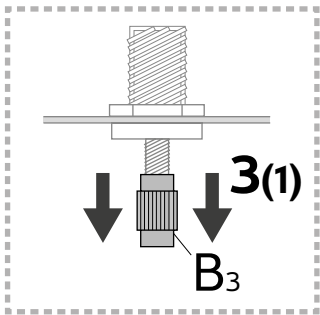
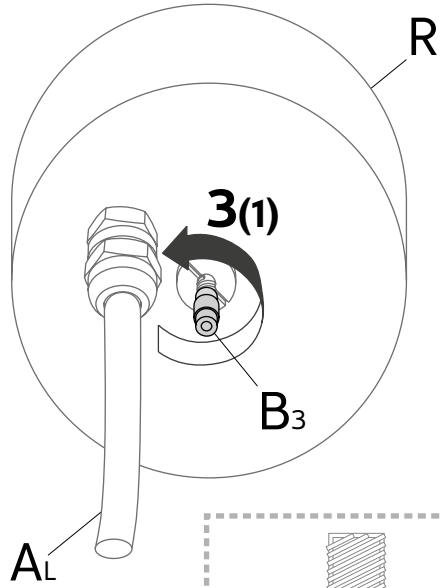
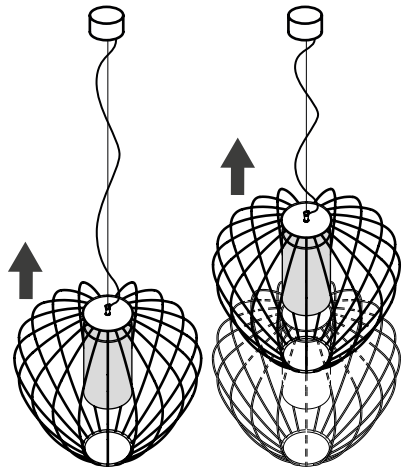
2x **F**

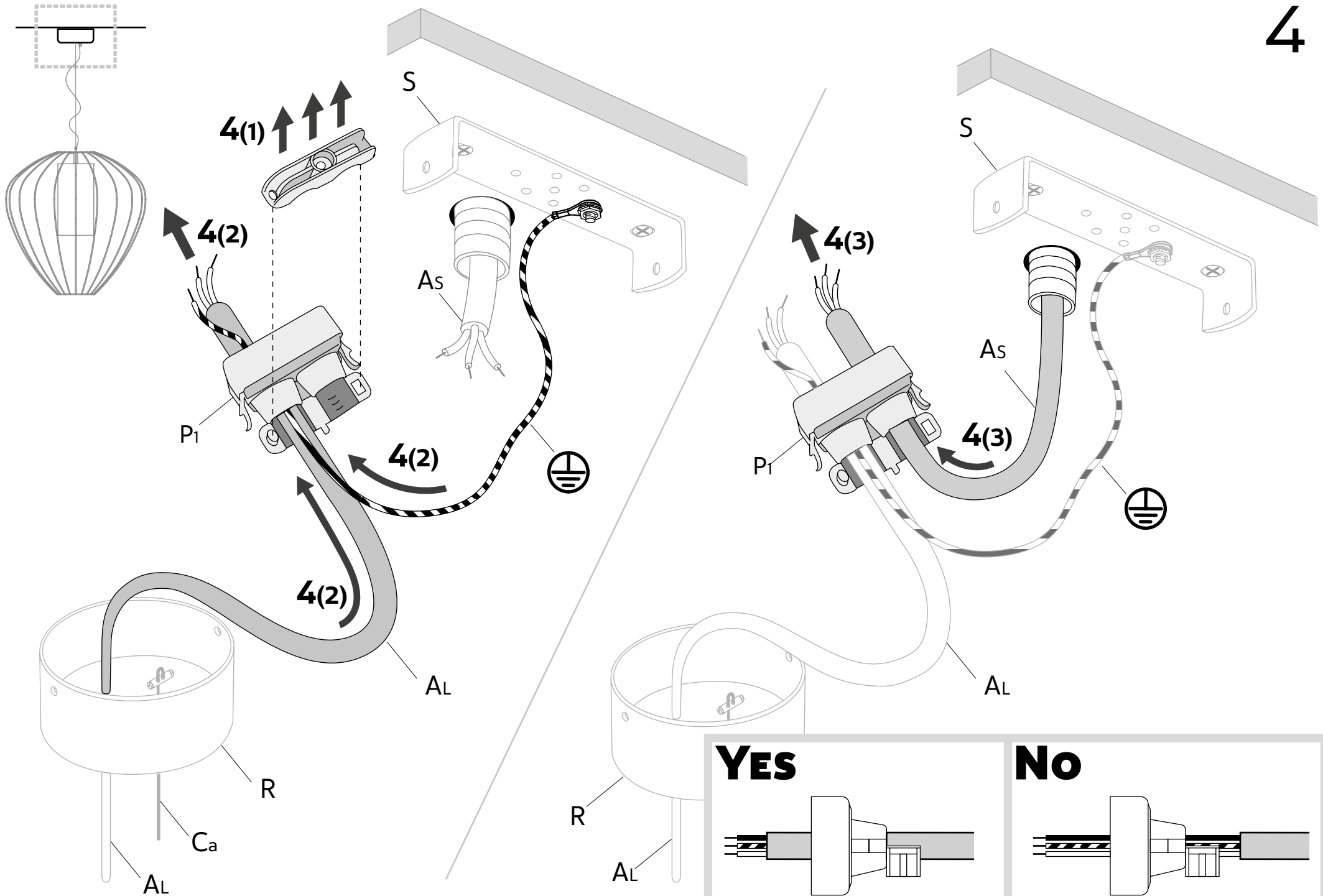


1x **P**

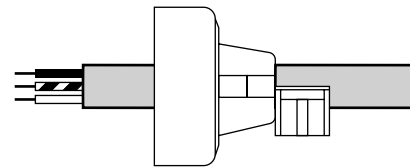




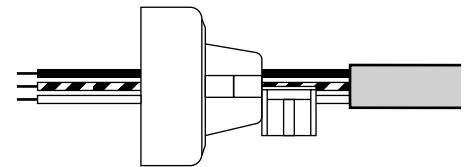


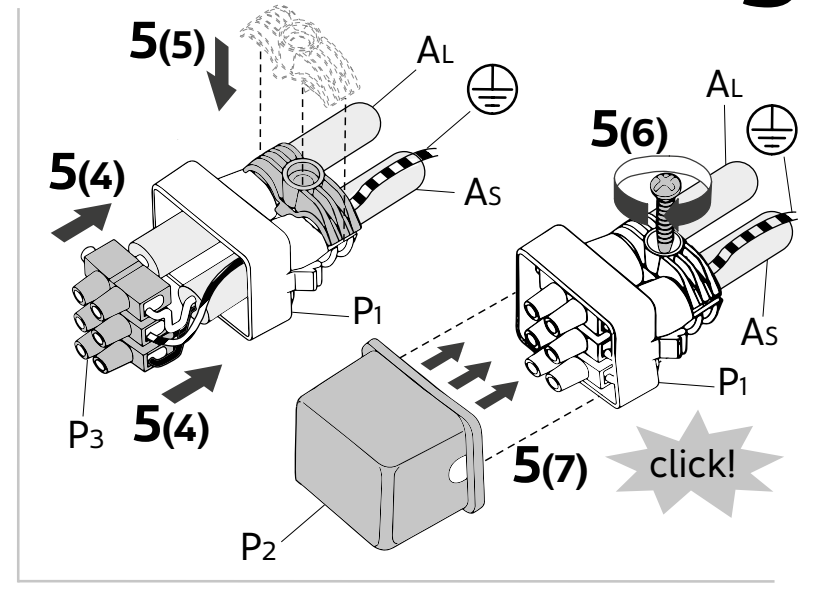
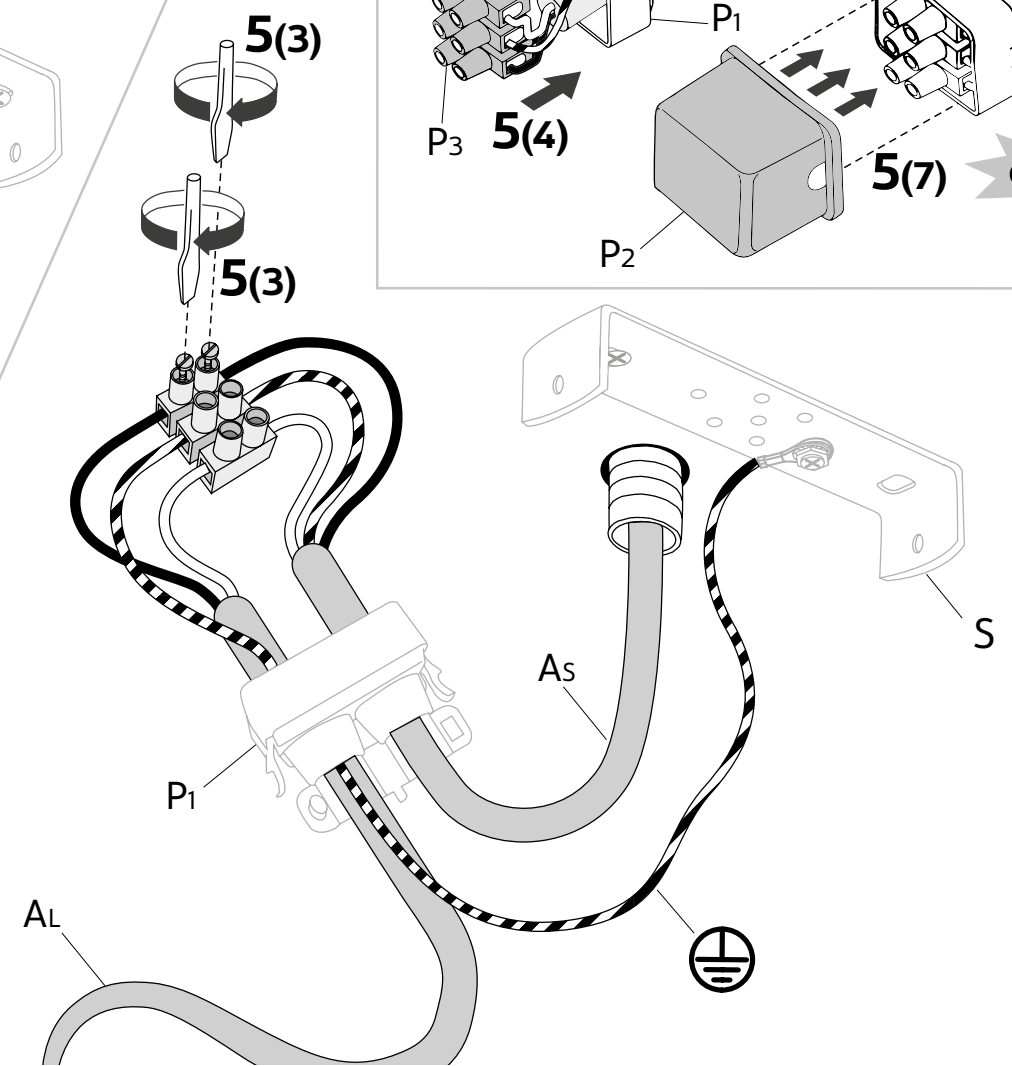
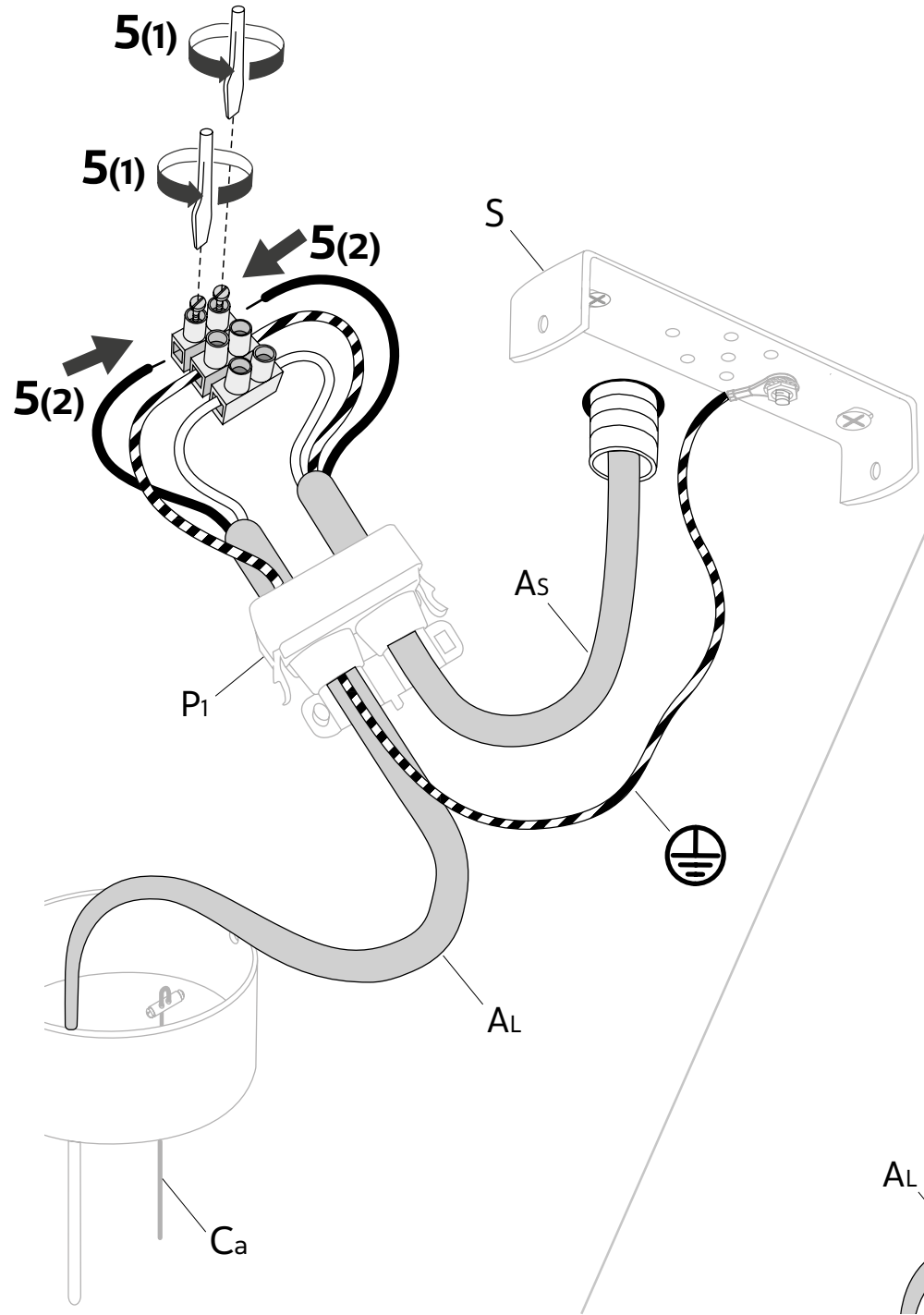


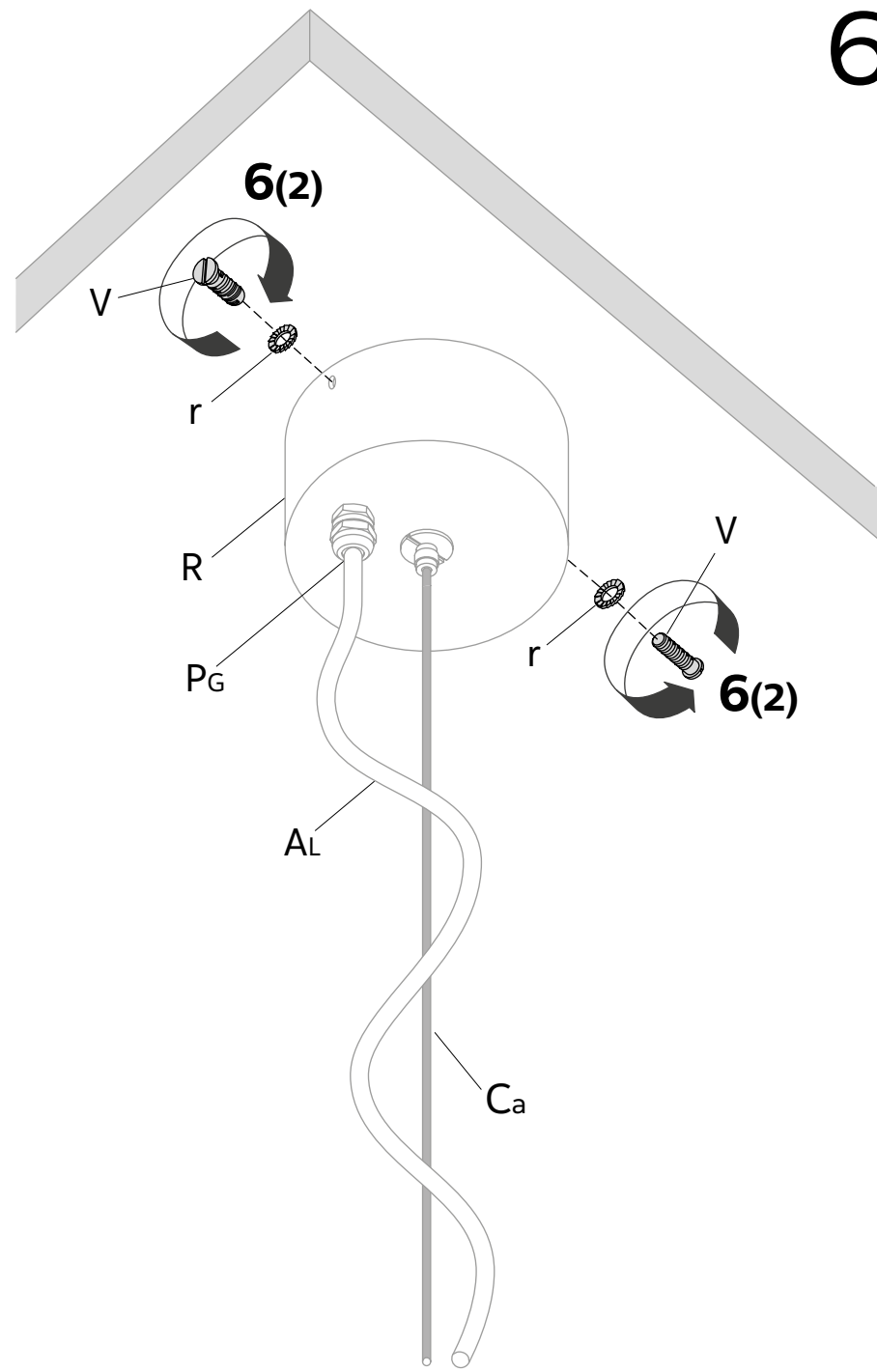
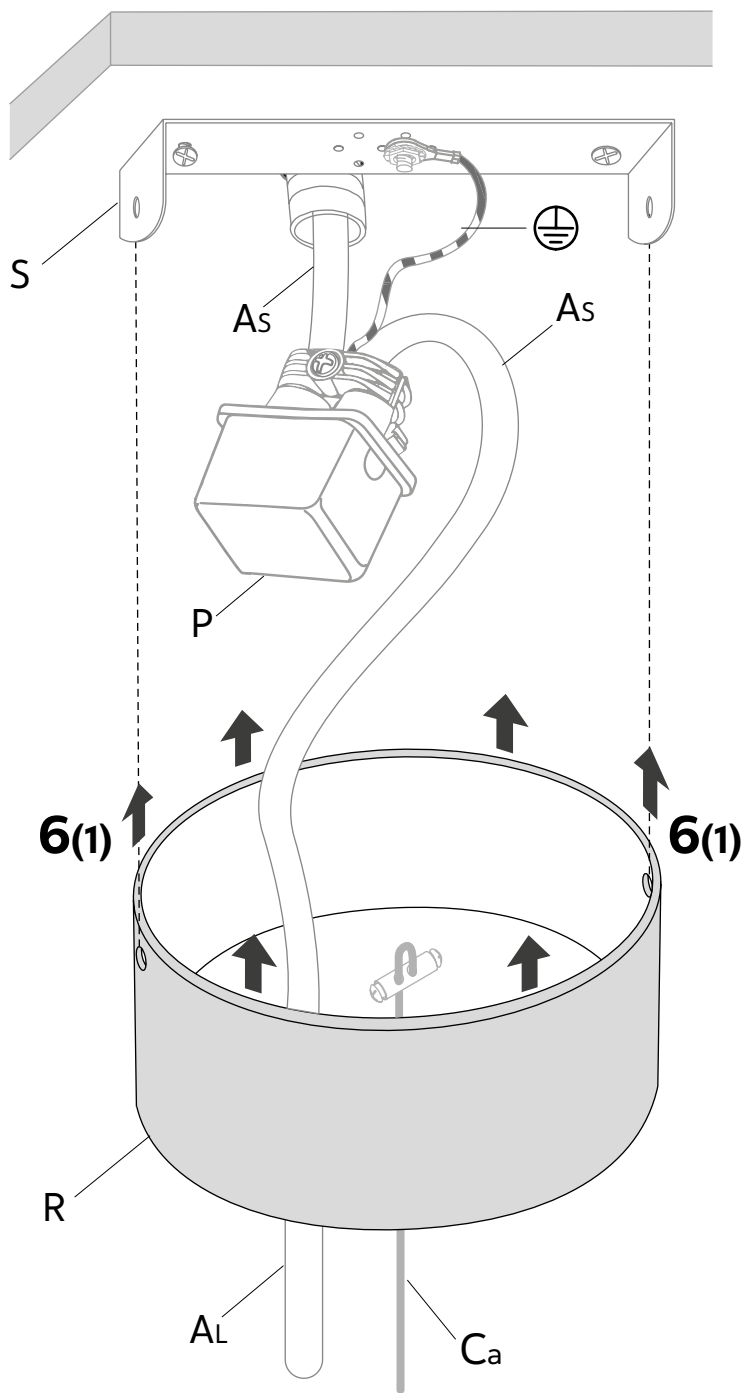
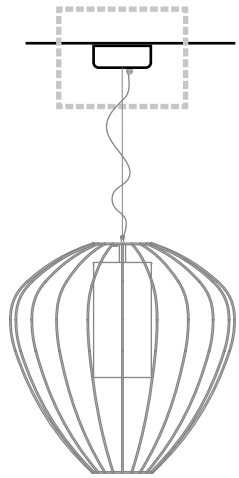
YES

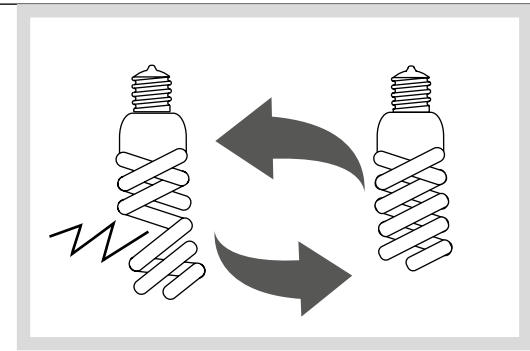
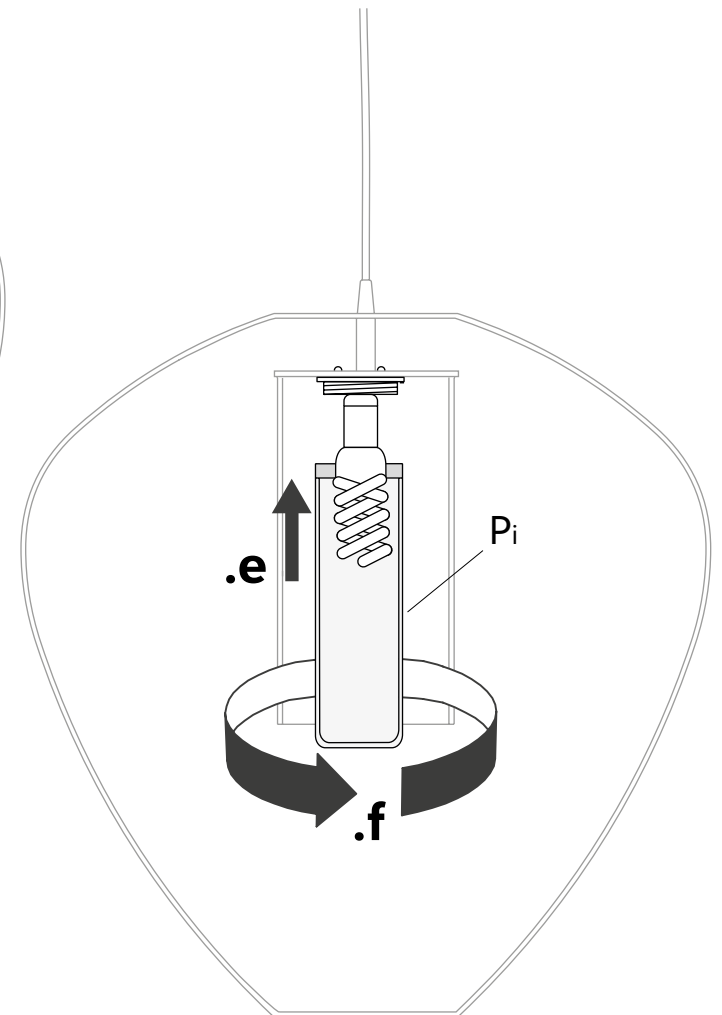
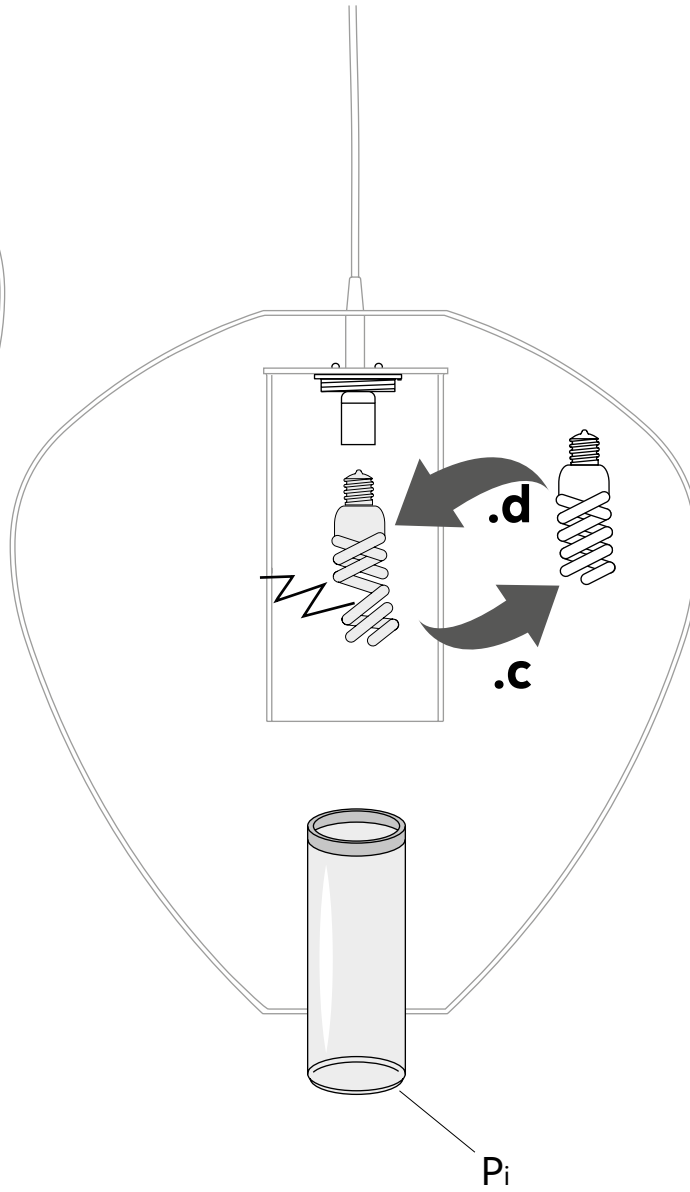
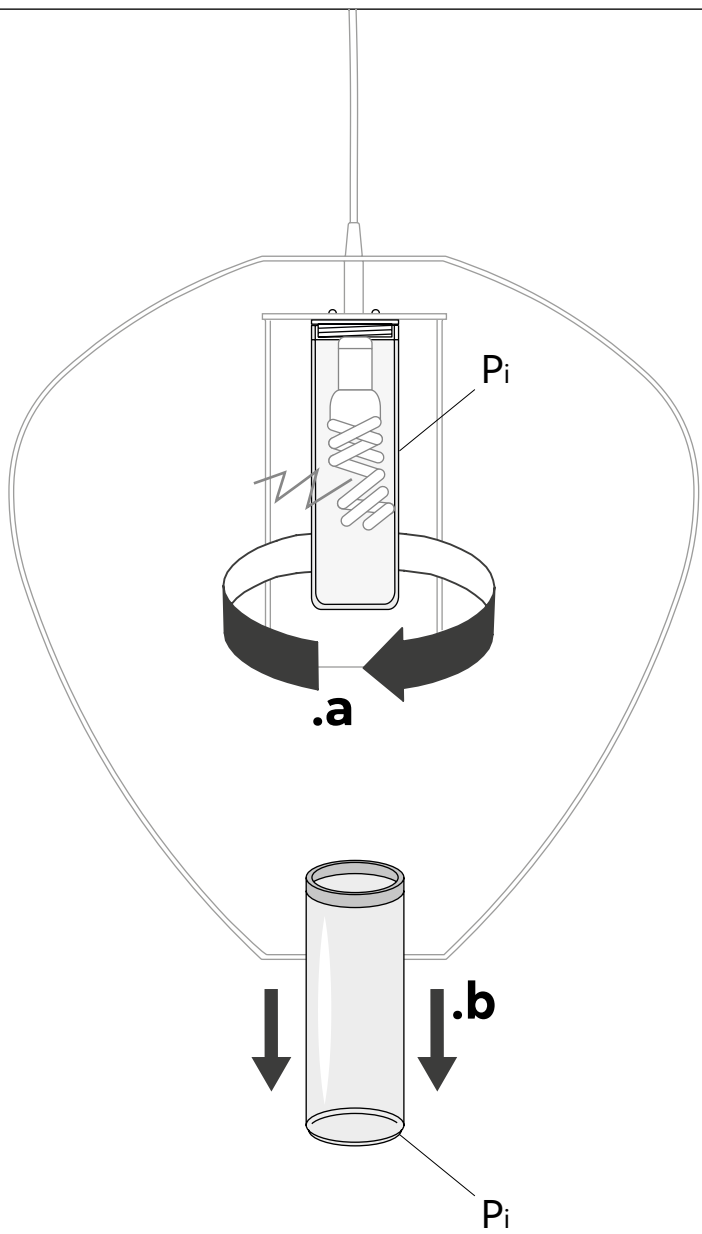


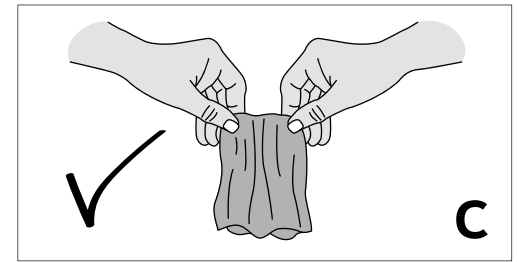
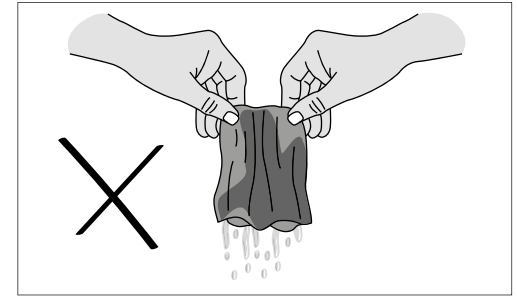
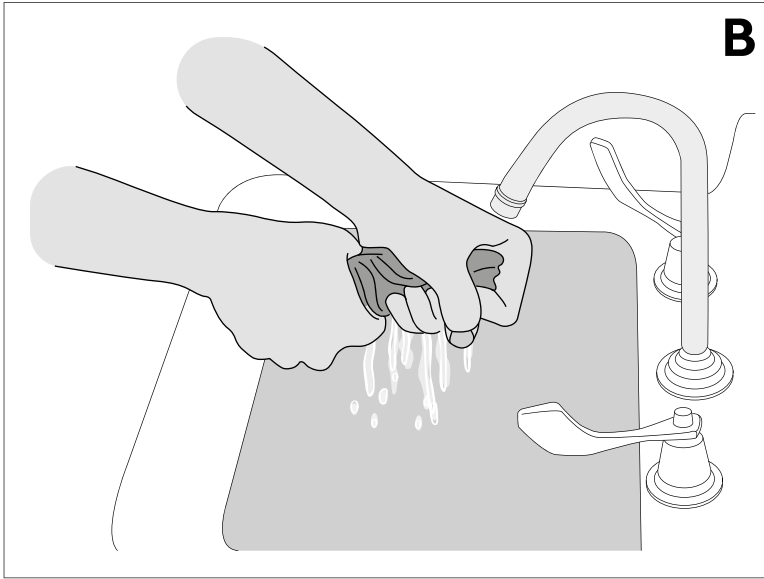
NO











chemical agents

chemical agents

alcohol

