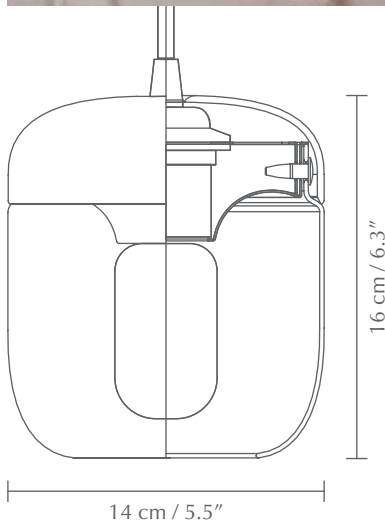



ACORN


Designed by Jacob Rudbeck



 Pendant lampshade
Compatible with E26 / E27

 **DIMENSIONS**
Ø: 14 cm / 5.5"
H: 16 cm / 6.3"

 **MATERIAL**
Glass, Silicone and Aluminium

 **WEIGHT INCL. PACKAGING**
690 g / 1.5 lb

 **LIGHT SOURCE**
E26 / E27 - max 15W LED (not included)

 **PACKAGING**
Gift box dimensions (W×H×D):
17.5 x 17.5 x 17.5 cm / 6.9 x 6.9 x 6.9"

 **ASSEMBLY TIME**
5 min - video guide at umage.com

 **MEDIA KIT**
Photos, 3D models, 2D drawings
Download at umagepress.com

ORDERING INFORMATION

Acorn black polished steel	#2081
Acorn black polished brass	#2082
Acorn black polished copper	#2083
Acorn white polished steel	#2104
Acorn white polished brass	#2105
Acorn white polished copper	#2106
Acorn smoked steel	#2214
Acorn amber brass	#2215

Colour variations




UMAGE

ACORN

Designed by Jacob Rudbeck



TAKE A WALK THROUGH THE PEACEFUL FORESTS

How many times have you walked through a peaceful forest, breathed in the fresh crisp air and listened to the sound of the wind playing with the leaves, thinking that this is a memory you want to keep? UIMAGE aims to make sure that its customers can keep this picturesque image close to their hearts and into their homes with the Acorn family of lampshades. Inspired by the humble acorn, the pendant light offers a warm glow, perfect for living rooms or kitchens, bathrooms and bedrooms. The Acorn's visible decorative bulb emits a calming light through the glass lampshades. Whether you prefer an industrial look or something more classic, the Acorn looks delightful in cluster above a breakfast bar or dining table, or solitarily lighting a cosy corner.

Søren Ravn Christensen, Chief Creative Developer at UIMAGE, shares his tips on how to create a cosy atmosphere in the kitchen with the Acorn: *"The kitchen is the centre point of the home. All kitchens need to feel inviting and inspiring – kitchens are often used not only for practical reasons, but also as a focal point for social interactions, with your family and friends stopping by during the colder winter months. Curating small families of Acorns in your kitchen allows for both practical, task lighting while at the same time creating the ambience you want to relax and take time out with your loved ones."*

Find more info on our website umage.com

RECOMMENDED ACCS.

Cord set	#4005 / #4006
Canopy	#4007 / #4008 / #4029 / #4030
Swag kit	#4009 / #4010
Cannonball	#4031 / #4032
Cannonball cluster 2	#4089 / #4091
Cannonball cluster 3	#4090 / #4092
Rosette	#4144 / #4145
Idea 2W 45 mm / 1.8" LED bulb	#4039 / #4040



ACORN

Designed by Jacob Rudbeck

