

Mini Series

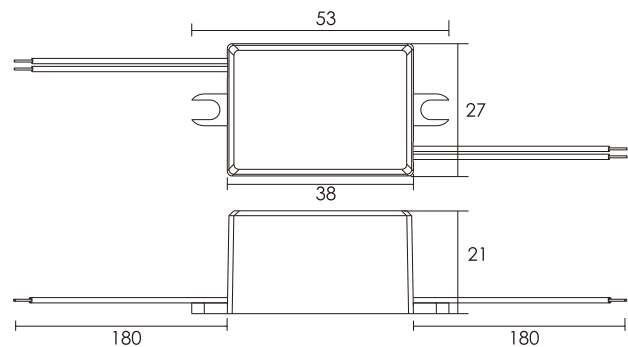
Constant Current LED Driver

LED恒流驱动器

Features:

- Super compact design
- Universal AC input
- Primary and secondary sides come with leads
- Protections: opencircuit, shortcircuit, overload, overtemperature
- Simple installation
- IP65 design

- 紧凑型设计
- 全电压输入规格AC100-240V
- 输入和输出端引线型
- 输出开路, 短路, 过载和超温保护
- 安装经济便捷
- IP65防护等级



Parameters:

Model No. 型号	Input voltage 额定电压 (V)	Max. output 功率 (W)	Output current 输出电流 (mA)	Output voltage 输出电压 (V)	Power factor 功率因数 (λ)	Efficiency full load 效率 (%)	No-load power 空载功率 (W)	Ambient temperature 环境温度 ta (°C)	Max. casing temperature 最大外壳温度 tc (°C)	Isolation 隔离	Dimensions LxWxH 尺寸 (mm)	Weight 重量 (g)
MINI200mA/4W	100-240	4	200	6-20	0.40C	78	<0.5	-20...+50	80	SELV	53x27x21	40
MINI300mA/4W	100-240	4	300	3-14	0.40C	78	<0.5	-20...+50	80	SELV	53x27x21	40
MINI350mA/4W	100-240	4	350	3-12	0.40C	78	<0.5	-20...+50	80	SELV	53x27x21	40
MINI500mA/4W	100-240	4	500	2-8	0.40C	76	<0.5	-20...+50	80	SELV	53x27x21	40
MINI600mA/4W	100-240	4	600	2-7	0.40C	75	<0.5	-20...+50	80	SELV	53x27x21	40
MINI700mA/4W	100-240	4	700	2-6	0.40C	73	<0.5	-20...+50	80	SELV	53x27x21	40