

Features

- START Downlight 5in1 is an integrated LED recessed / surface mounted downlight with built in non dimmable driver and PIR sensor. PIR sensor with time settings (3 min max) and adjustable daylight lux level. 2 options for lumen output 900lm or 1800lm. Colour temperature (3000K, 4000K and 6500K) can be chosen by a 3-way switch located on the back of the fixture. Adaptability to various cut-outs from 65mm to 185mm

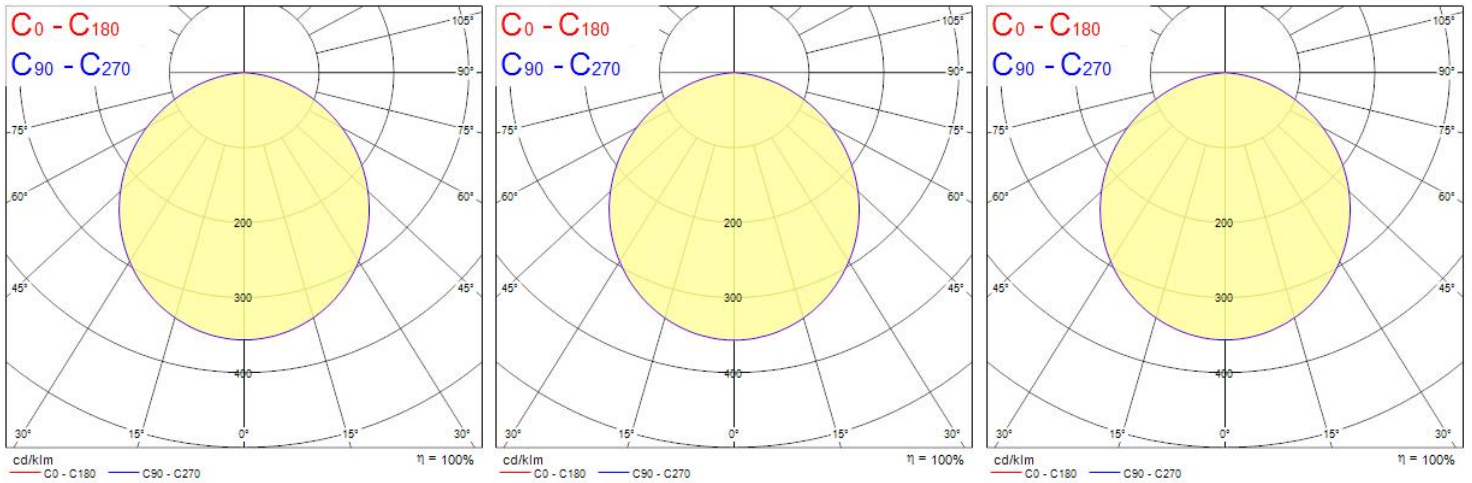
Product Overview

Product name	START Downlight 5in1 65-185 1800LM PIR
Technology	LED
Cap/Base	N/A
Housing	PC Polycarbonate
Mount	Ceiling recessed mounting, Ceiling surface mounting
General application	Retail
ETIM Class	EC001744
Fixture luminous flux (lm)	1800
Luminaire efficacy (lm/W)	100
Colour temperature (K)	4000
Light colour	N/A
CRI (Ra)	80
Colour Variation Initial (SDCM)	6
Beam Angle (°)	110
Photobiological Risk Group	RG0
Total power consumption (W)	18
Electrical protection	Class II
Control gear type	LED driver constant current
Dimmable	No
Housing colour	RAL 9003 - Signal white

START Downlight 5in1 65-185 1800LM PIR 0053152

IP rating	IP20
IK rating	IK05
Product EAN number	5410288531526
Warranty	3 years

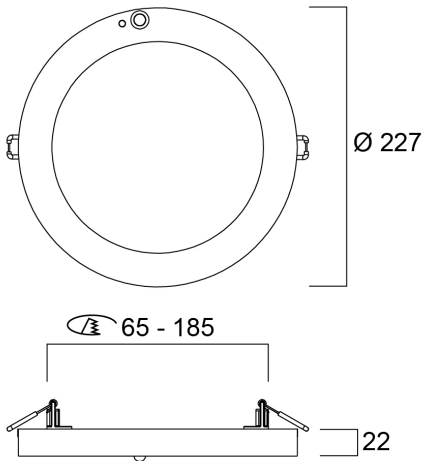
Photometry



Distance [m]	Cone diameter [m]	Beam type	$E(0^\circ)$ [lx]	$E(\text{CO})$ [lx]
0.5	1.47	C0 - C180 (Half beam angle: 111.4°)	2840	227
1.0	2.93	C0 - C180 (Half beam angle: 111.4°)	660	59
1.5	4.40	C0 - C180 (Half beam angle: 111.4°)	293	26
2.0	5.86	C0 - C180 (Half beam angle: 111.4°)	165	15
2.5	7.33	C0 - C180 (Half beam angle: 111.4°)	106	9
3.0	8.80	C0 - C180 (Half beam angle: 111.4°)	73	7

START Downlight 5in1 65-185 1800LM PIR 0053152

Technical drawings



Data table

GENERAL DATA

Product name	START Downlight 5in1 65-185 1800LM PIR
Technology	LED
Cap/Base	N/A
Housing	PC Polycarbonate
Mount	Ceiling recessed mounting, Ceiling surface mounting
General application	Retail
Operating temperature range (°C)	-20°C - 40°C
ETIM Class	EC001744
Warranty	3 years

OPTICAL DATA

Fixture luminous flux (lm)	1800
Luminaire efficacy (lm/W)	100
Colour temperature (K)	4000
Correlated colour temperature range (K)	3000 - 6500

START Downlight 5in1 65-185 1800LM PIR 0053152

Light colour	N/A
CRI (Ra)	80
Colour Variation Initial (SDCM)	6
Beam Angle (°)	110
Distribution type	Symmetric
Photobiological Risk Group	RG0

ELECTRICAL DATA

Total power consumption (W)	18
Mains voltage (V)	220-240V~
Lamp power factor	0.7
THD (at 230 V, 50 Hz, full load, at 100% dimming level) ≤ xx.x %	85.0
Electrical protection	Class II
Control gear required	No
Control gear type	LED driver constant current
Dimmable	No
Drive current (mA)	170
Glow Wire Test (°C)	650
Energy Efficiency Class (A->G) of contained light source	E
Nominal Frequency (Hz)	50/60Hz
Max. Luminaires per 16A C Breaker	42
Max. Luminaires per 16A B Breaker	25

PHYSICAL DATA

Housing colour	RAL 9003 - Signal white
IP rating	IP20
IK rating	IK05
Diffuser finish	Opal
Diffuser material	PC Polycarbonate
Reflector finish	White
Nominal Product Height (mm)	22
Nominal Product Diameter (mm)	227

START Downlight 5in1 65-185 1800LM PIR 0053152

Weight (kg)	0.473
-------------	-------

PACKAGING

Single packaging type	Carton
Product EAN number	5410288531526
Packaging single length / height (cm)	24.7
Packaging single width (cm)	4.3
Packaging single depth (cm)	23.7
DUN14 (outer)	15410288531523
Units per outer package	14
Packaging outer length / height (cm)	50.9
Packaging outer width (cm)	32.1
Packaging outer depth (cm)	26.2

SAFETY DATA

Optimal operating condition (°C)	-20-40
Special purpose lamp	No
Dry applications use only	No
Suitable for household illumination	No