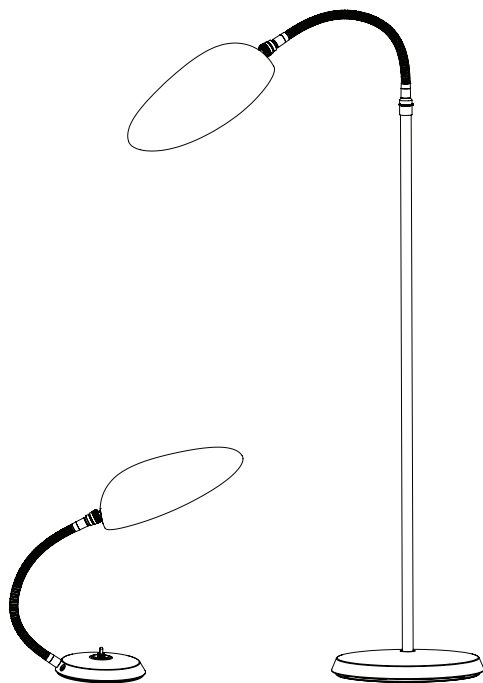


BULB REPLACEMENT

- Disconnect the power before replacing bulb.

TROUBLESHOOTING

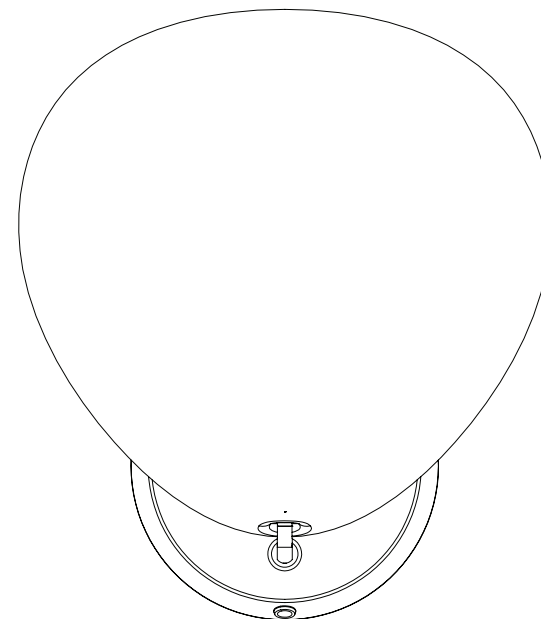
- If lamp does not light, turn off the power. Check the bulb for a broken filament. Replace bulb if necessary, then turn it on.
- If the lamp still does not light, please contact customer service at the local dealer.
- If the external flexible cable or cord of this lamp is damaged, it must be replaced by a qualified electrician in order to avoid a hazard.



GUBI



Cobra



GUBI A/S

Klubienvej 7-9 / Pakhus 53
2150 Nordhavn, Copenhagen
Denmark

T: +45 3332 6368
CVR: 17940384
WWW.GUBI.DK

Technical information:

Light source: E14, max. 1x40W incandescent or 1x30W halogen bulb.

Turn power off when changing light bulb.

Isolation class II.

The lamp is not approved for outdoor use or use in damp/wet rooms (IP20).

Some advice on cleaning your Cobra:

Wipe the parts with a damp cloth soaked in warm water and a bit of mild detergent.

Use only soft cloth for wiping and polishing, never sponges or steel wool.

Do not use abrasive household cleaners.

Do not use acidic or alkaline cleaning materials, glass cleaner or household ammonia.

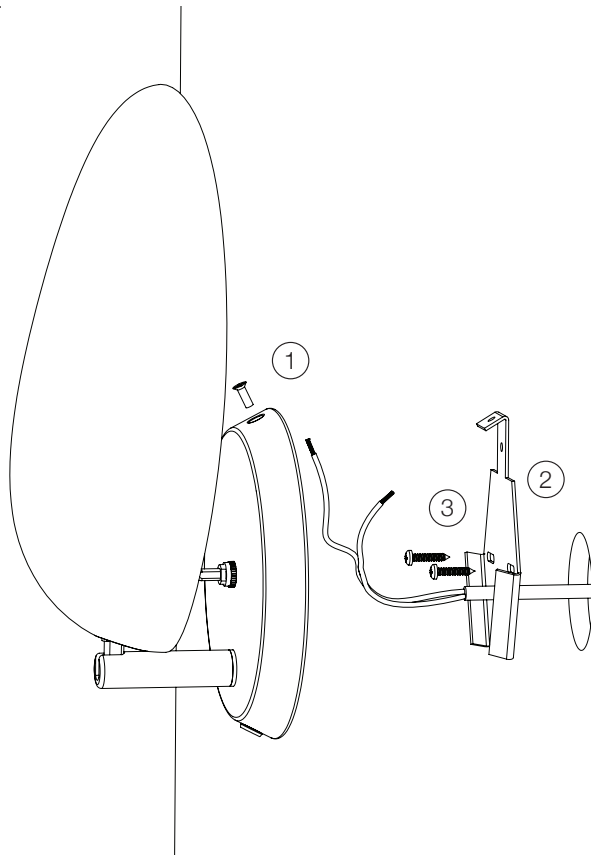
For attachment directly on the wall see step 1-2-3.

Step 1

1 Loosen screw to release back plate.

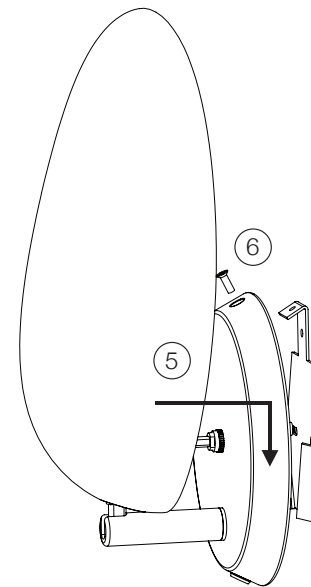
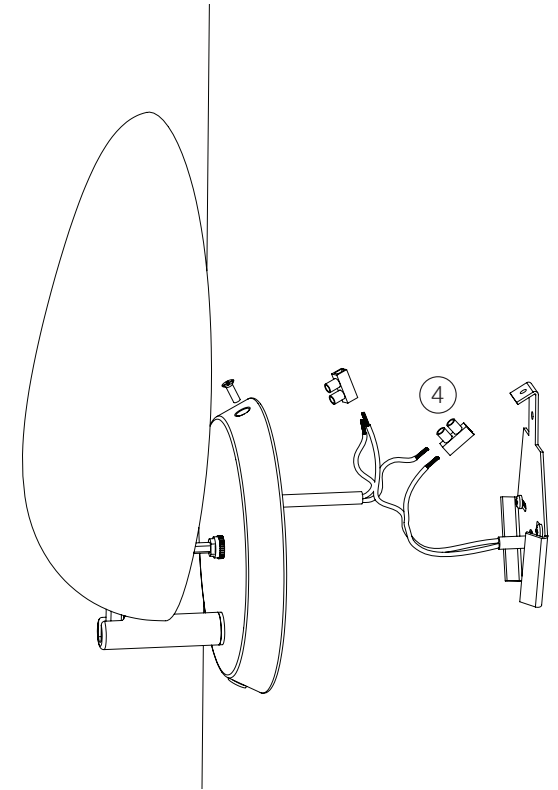
2 Place back plate on top of supply cable exit.

3 Attach back plate with screws.



Step 2

4 Connect lamp wires to the supply wires.



Step 3

5 Tuck wires carefully inside the base of the lamp and place the lamp on the wall bracket.

6 Fasten screw and lock the lamp to the wall. Be careful not to squeeze any wires between the edge of the lamp and the wall as well as inside the lamp base.

7 Place light bulb in lamp and turn the power on.