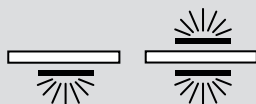
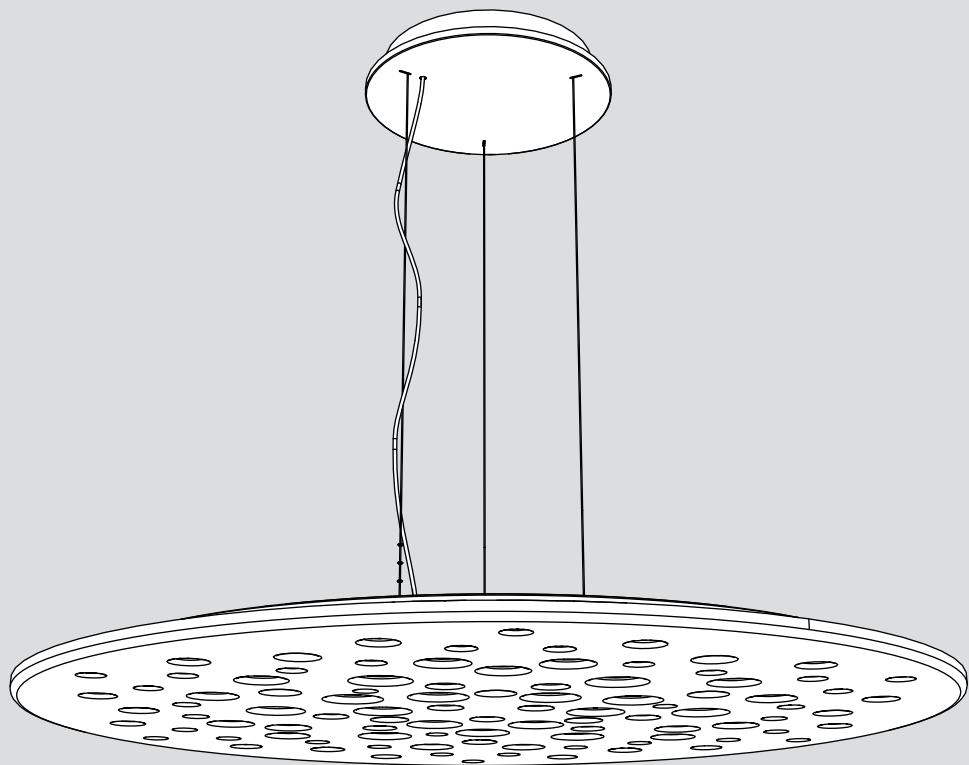


# Artemide®

## Silent Field 2.0

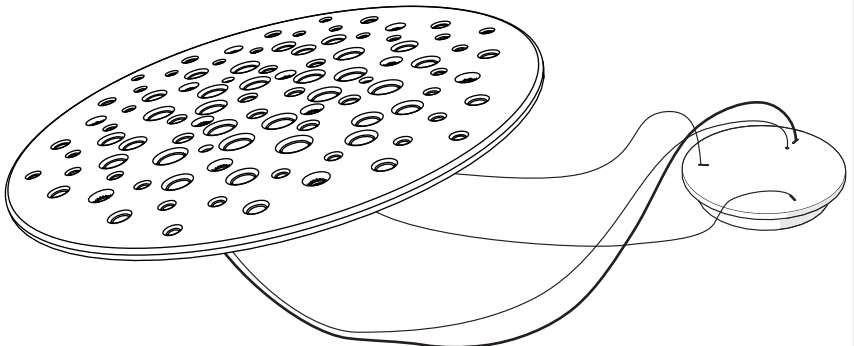
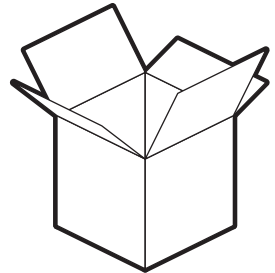
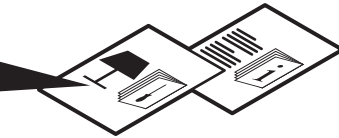
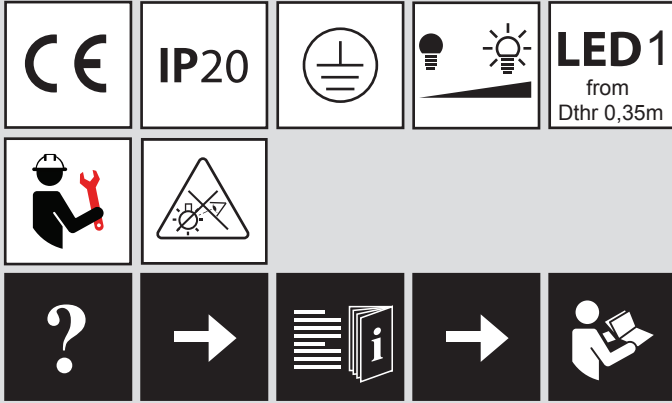
design

C. de Bevilacqua - L. Pessoni



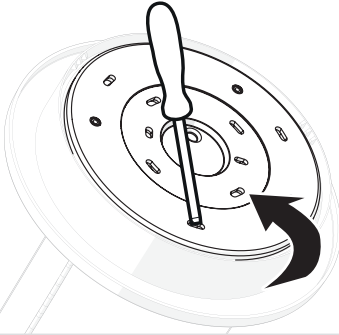


i

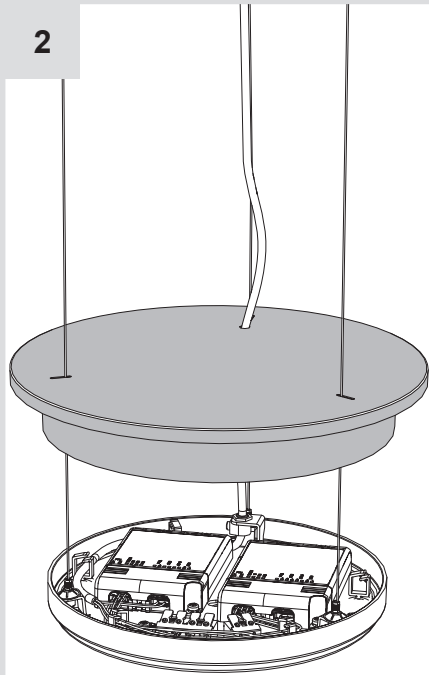




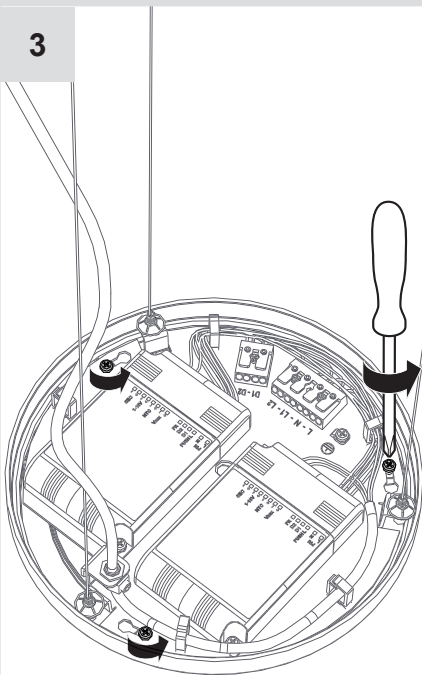
1



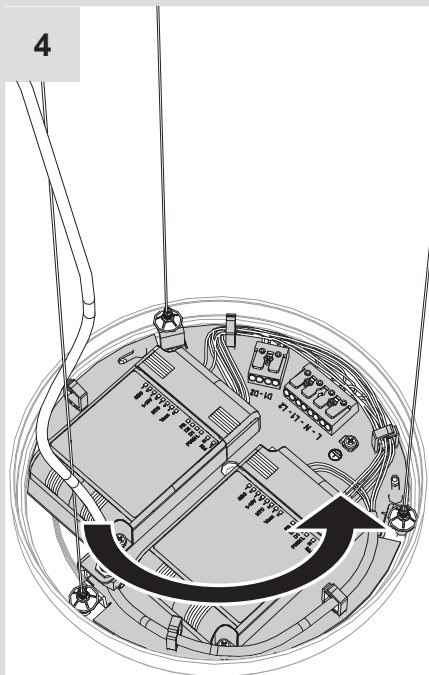
2

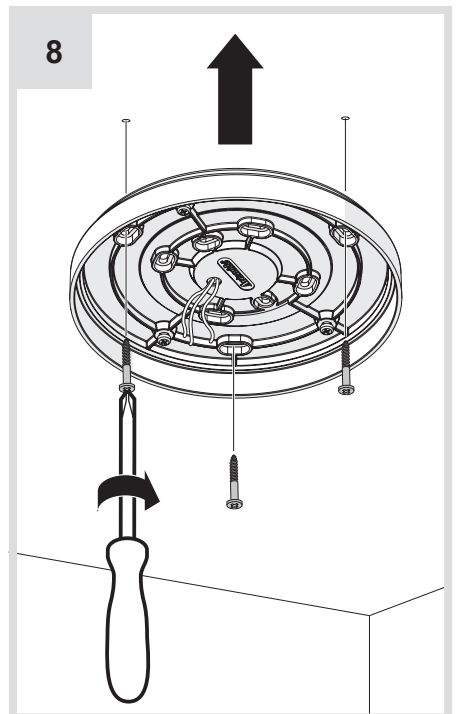
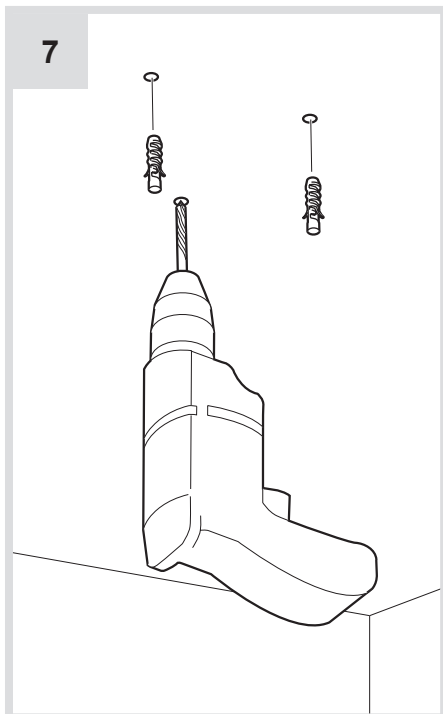
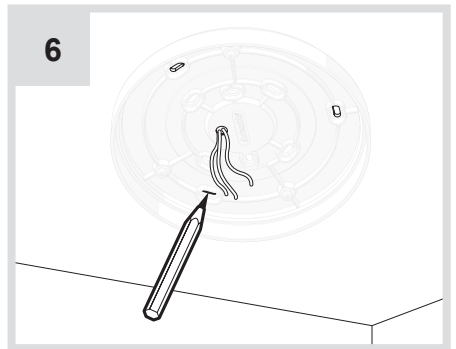
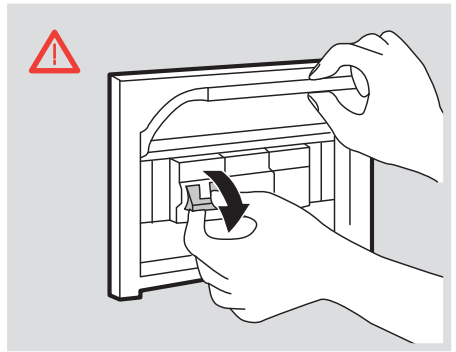
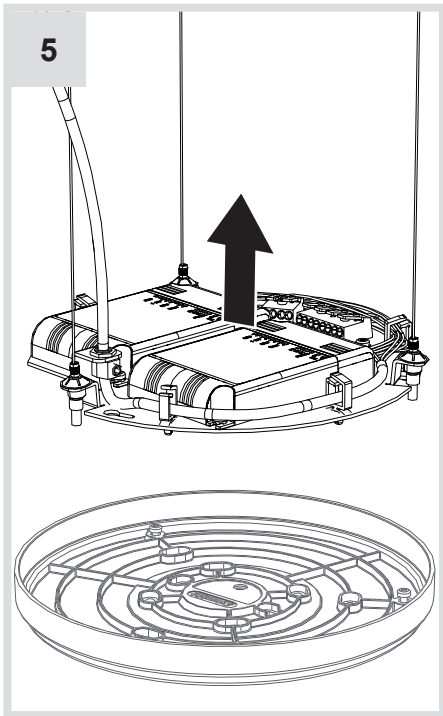


3

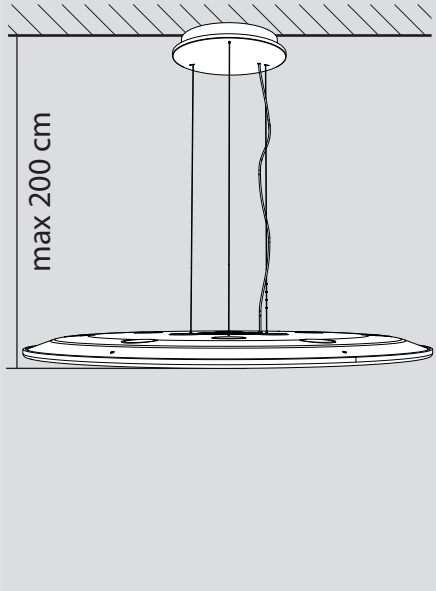


4

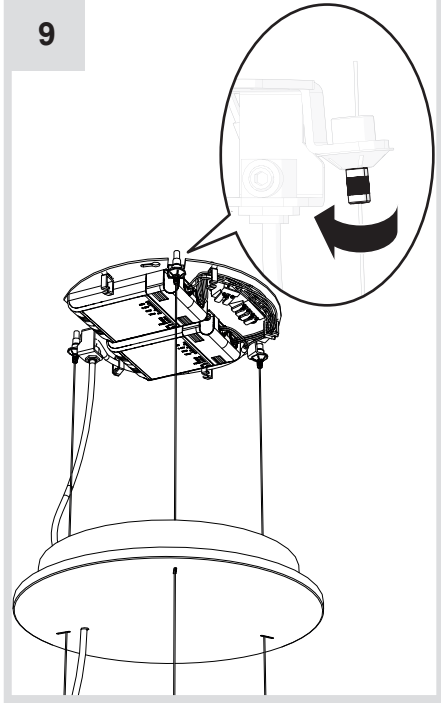




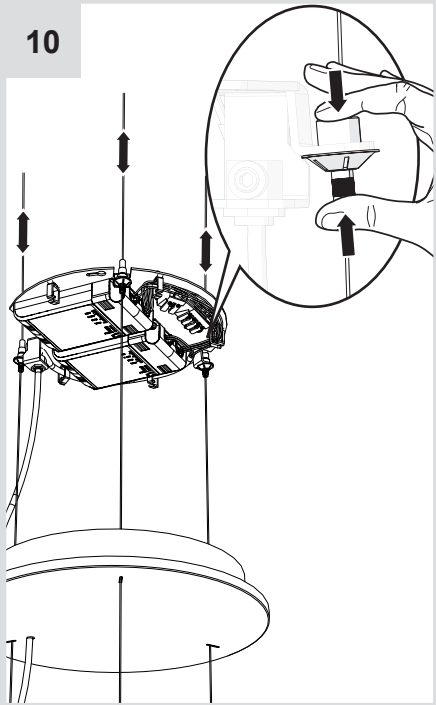
**i**



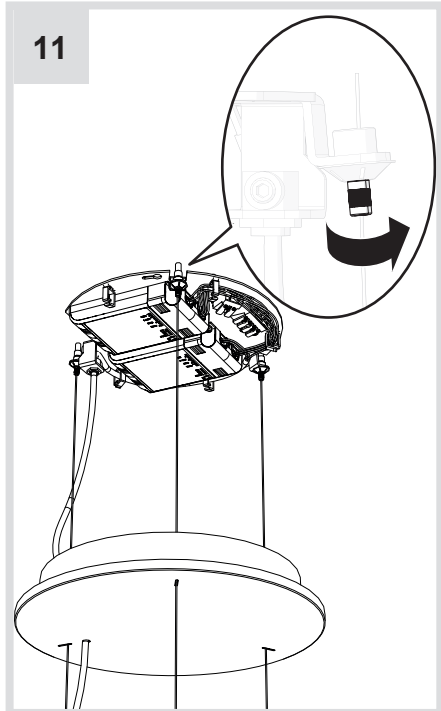
**9**



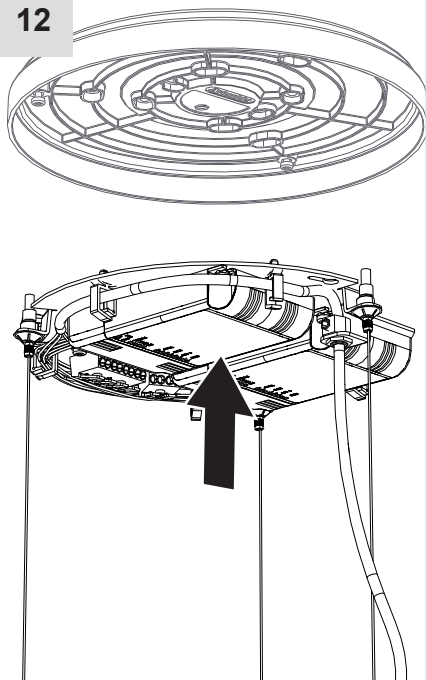
**10**



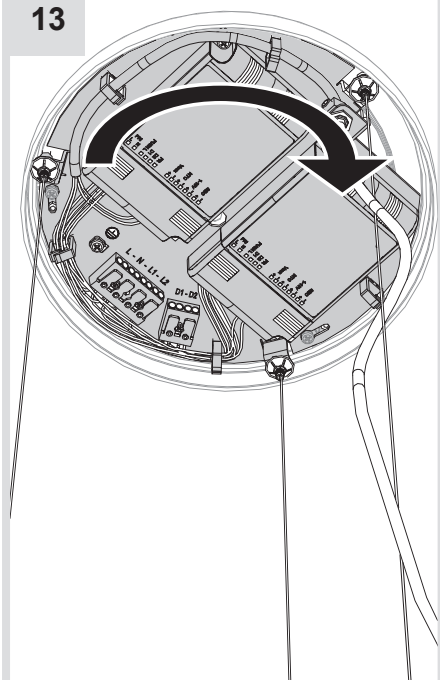
**11**



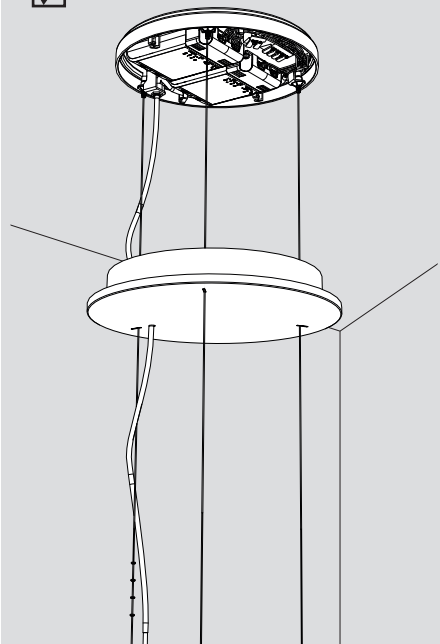
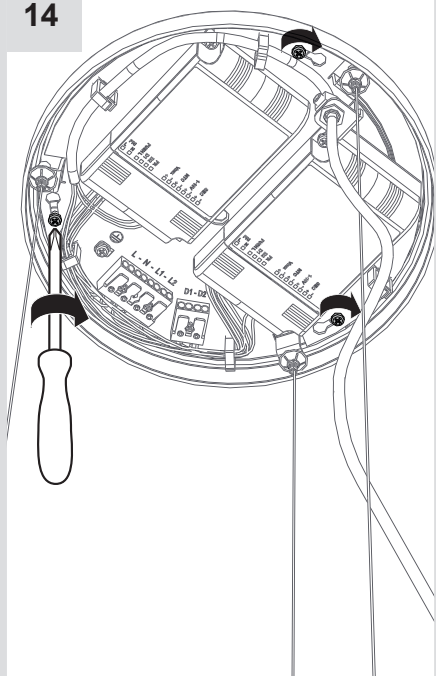
12



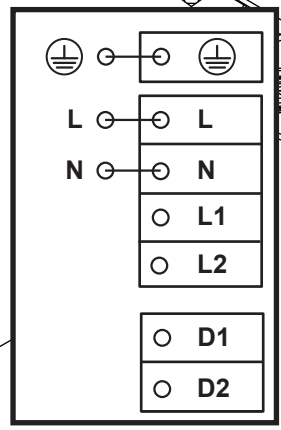
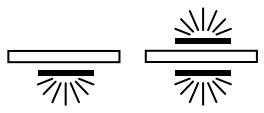
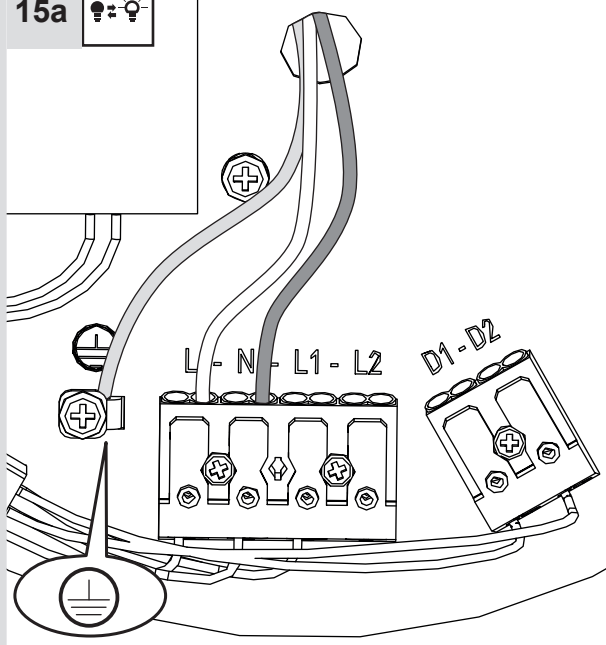
13



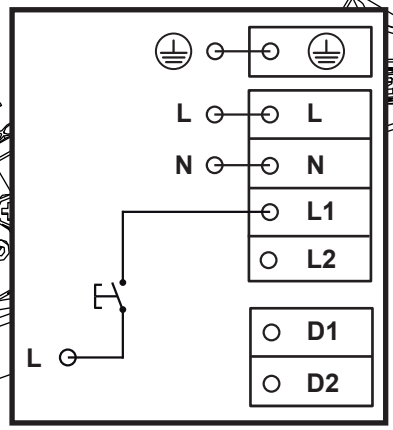
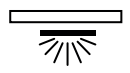
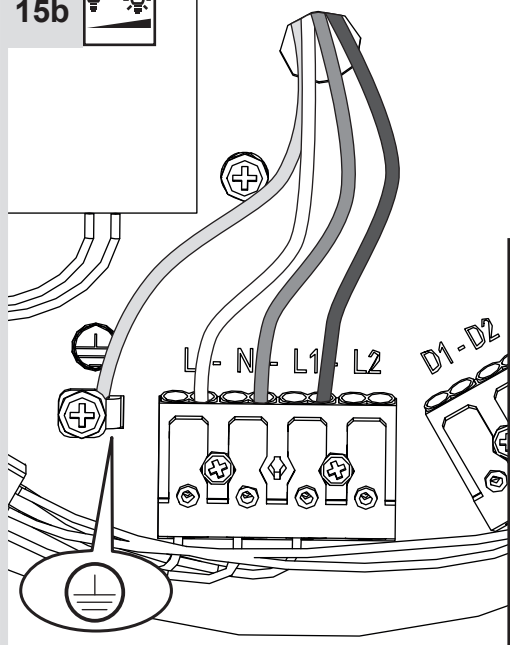
14



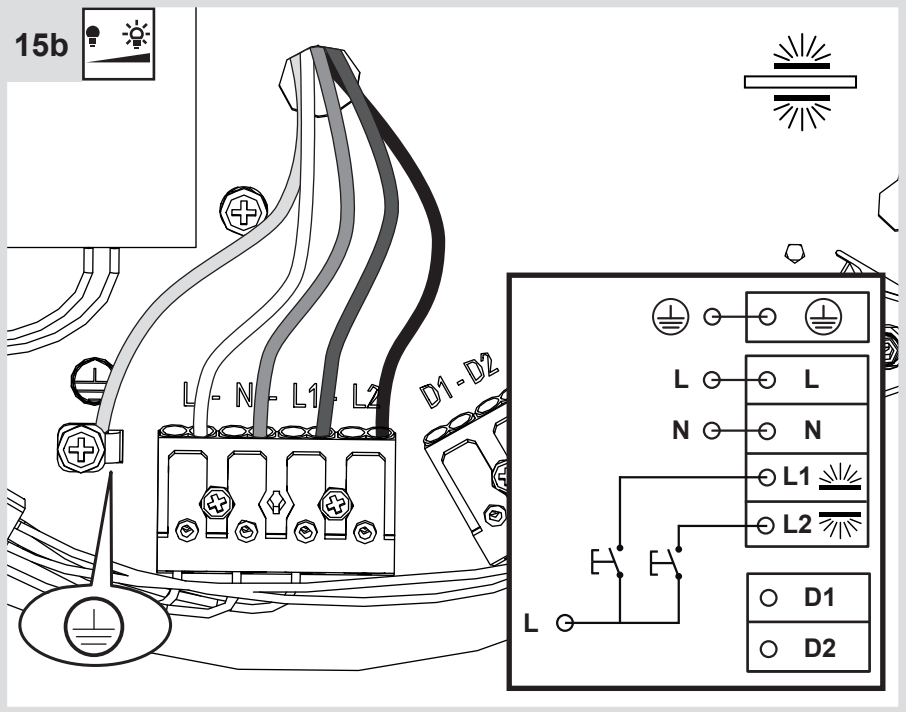
15a



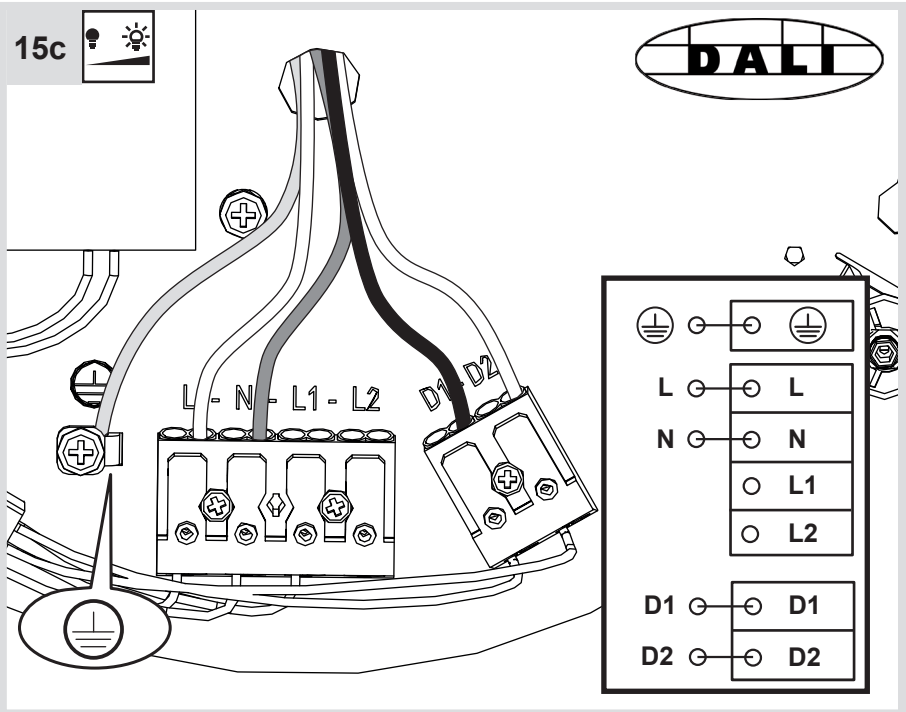
15b



15b

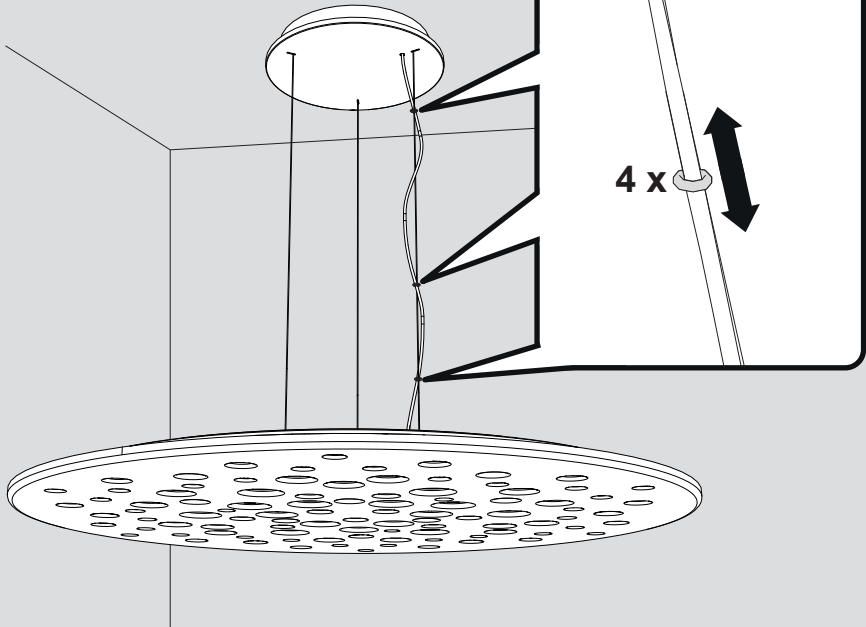
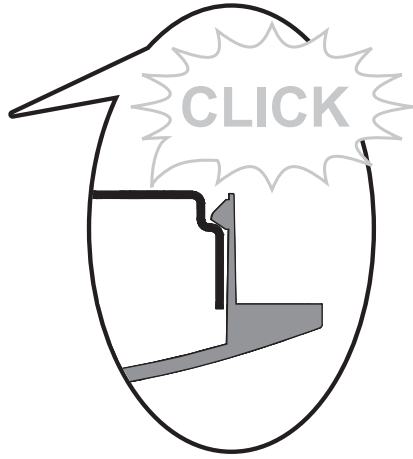
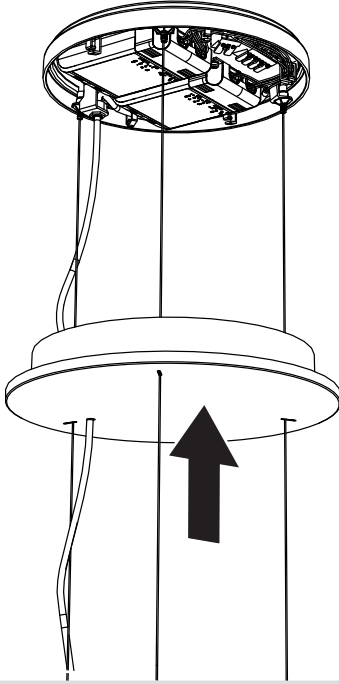


15c

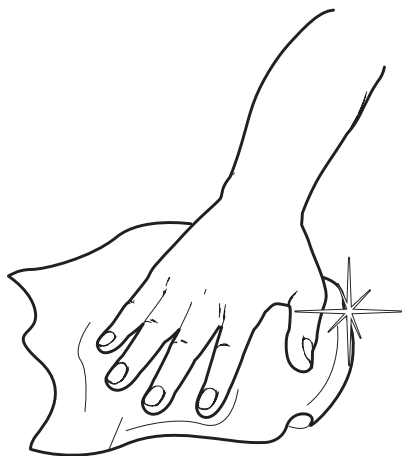




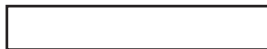
16







**Artemide®**



## **Artemide**

via Bergamo, 18  
20010 Pregnana M.se (MI)  
ITALIA

tel. +39 02 935 181  
fax +39 02 935 90 254  
fax +39 02 935 90 496

[www.artemide.com](http://www.artemide.com)

VAT IT00846890150

cod. Y513001038