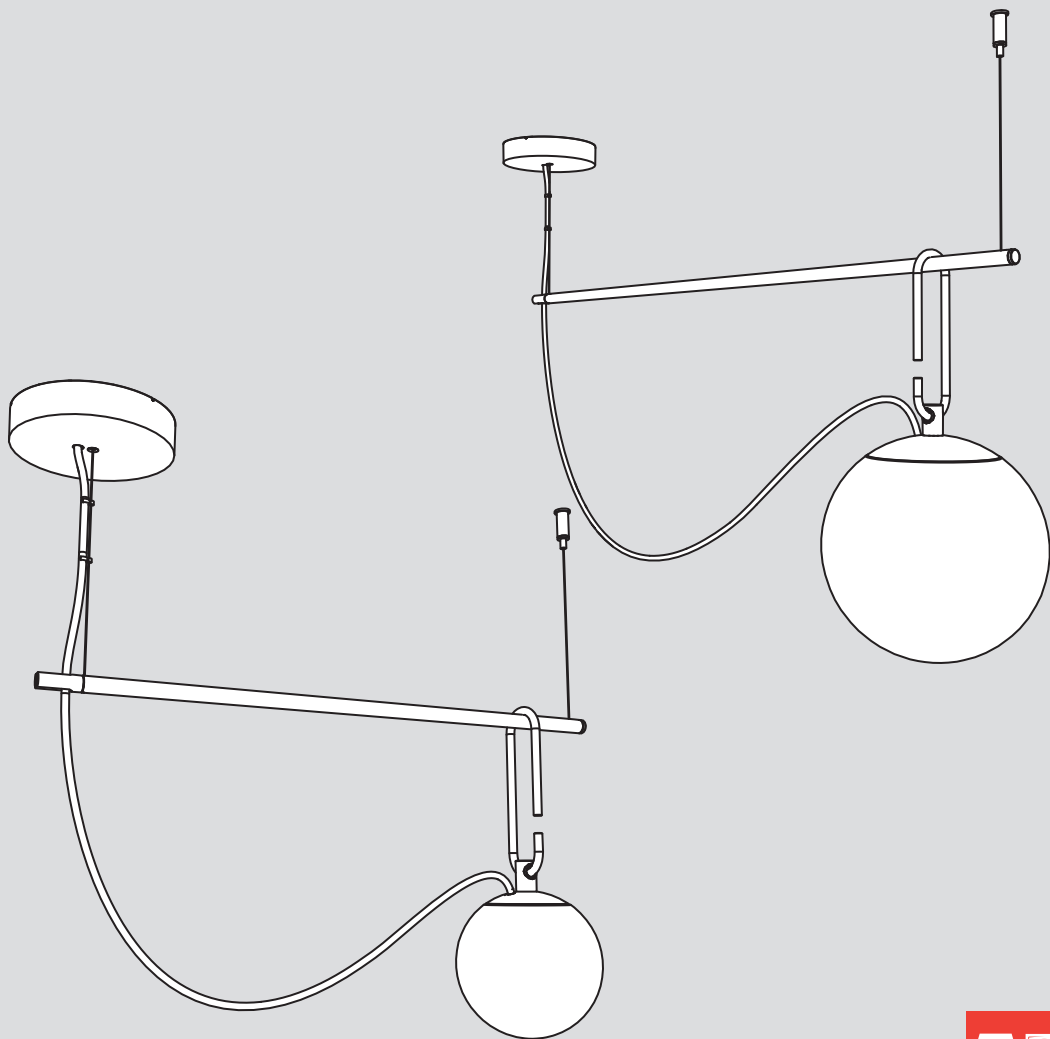


Artemide®

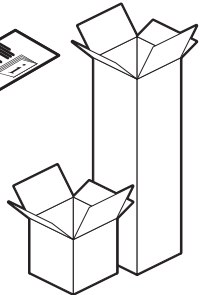
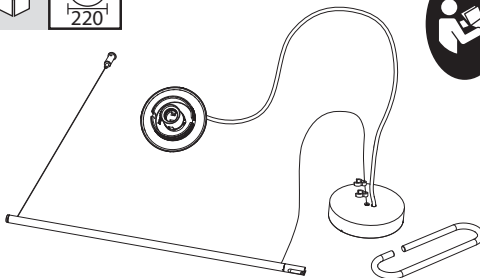
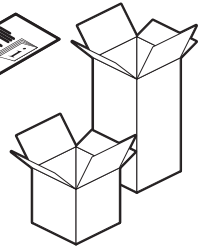
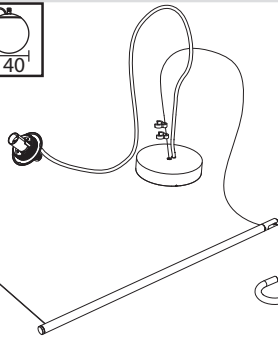
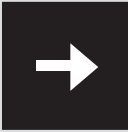
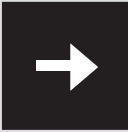
nh S1-S2

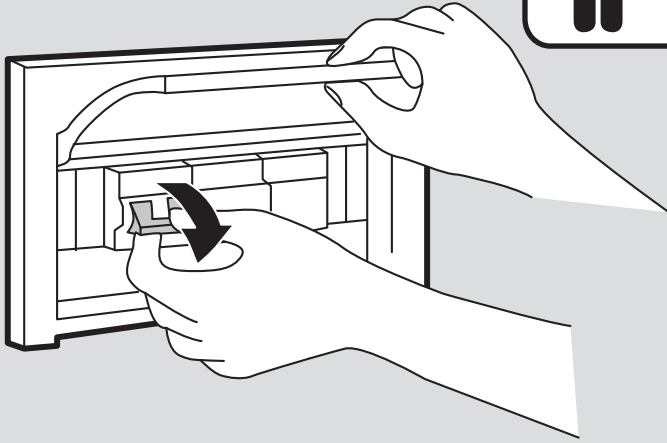
design
Neri & Hu



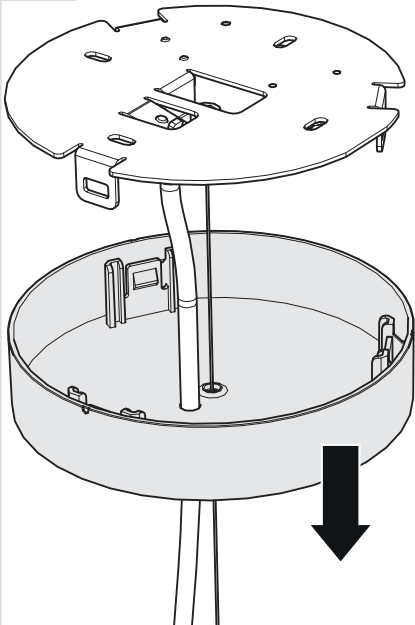


i

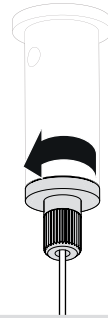




1



2

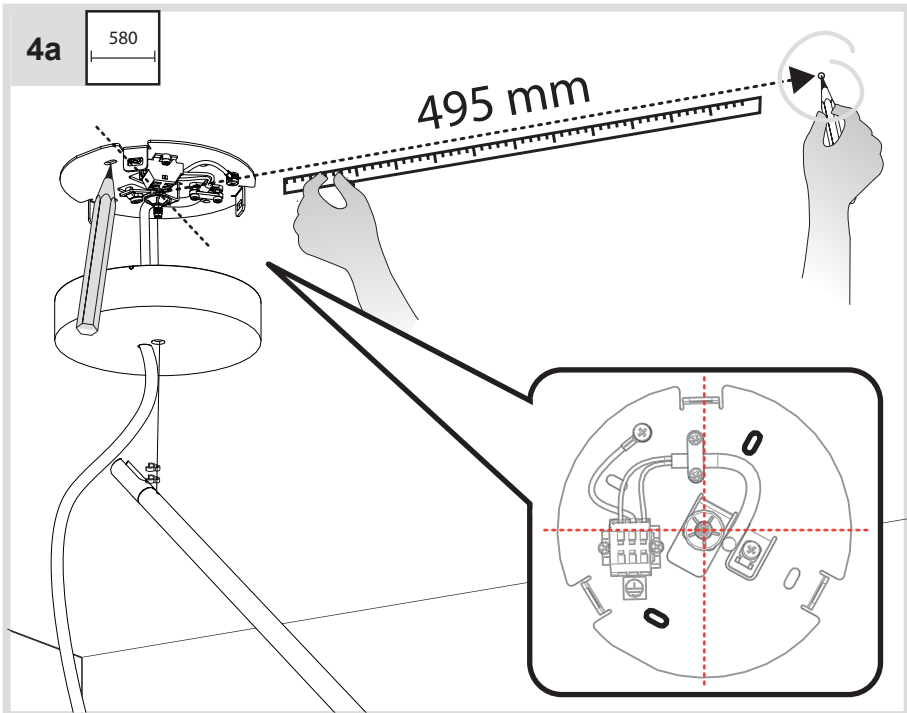


3



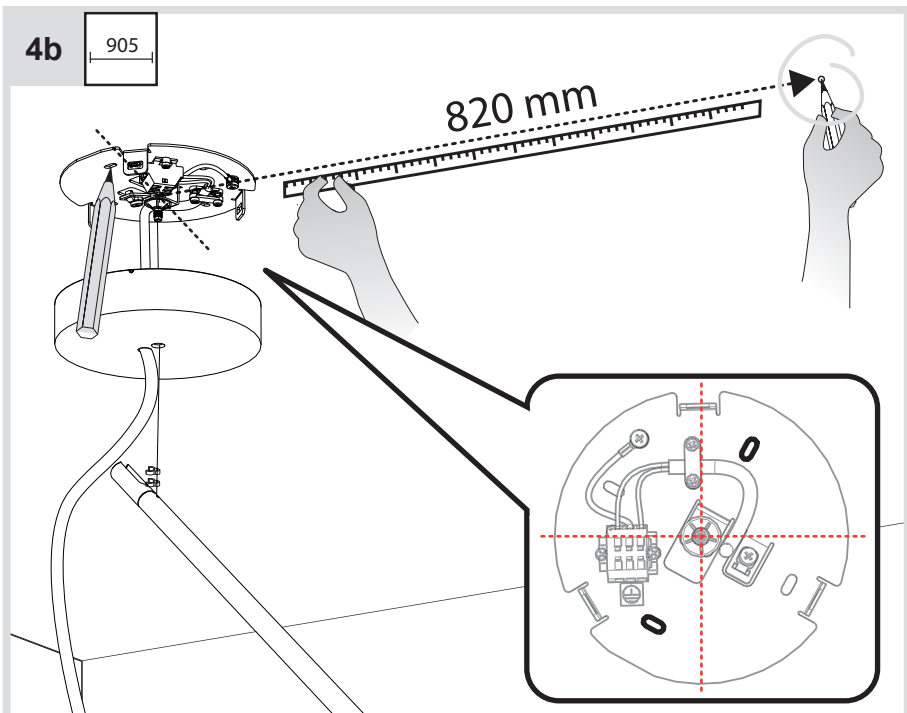
4a

580

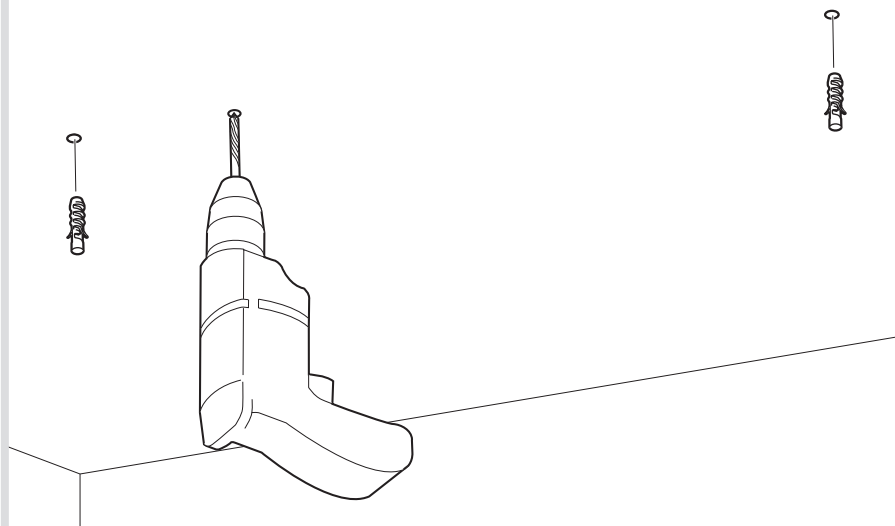


4b

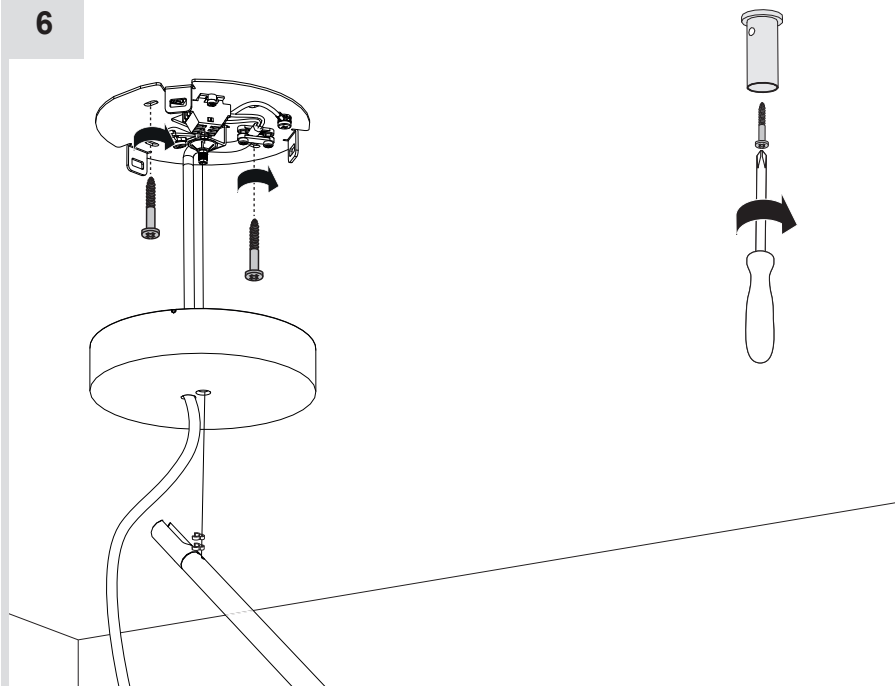
905



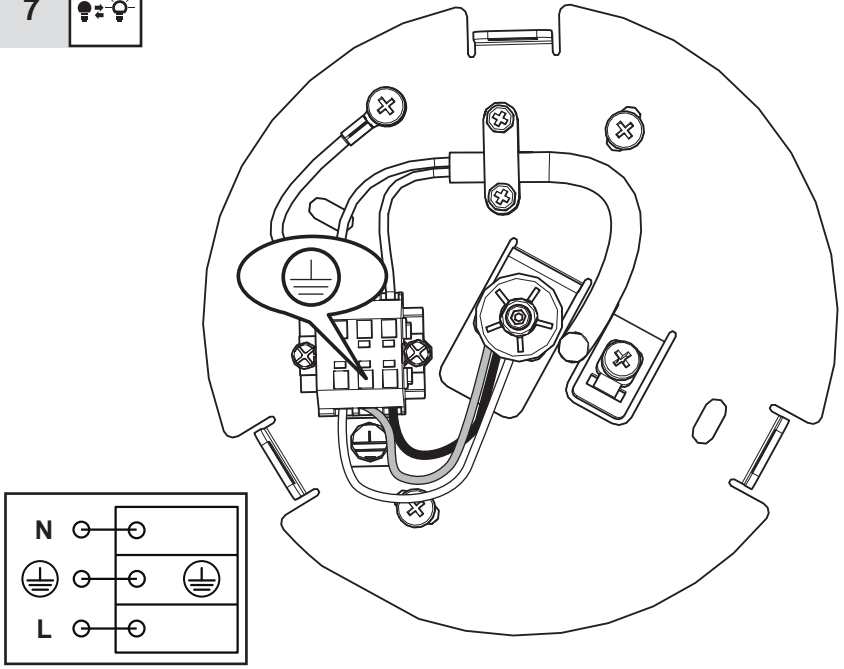
5



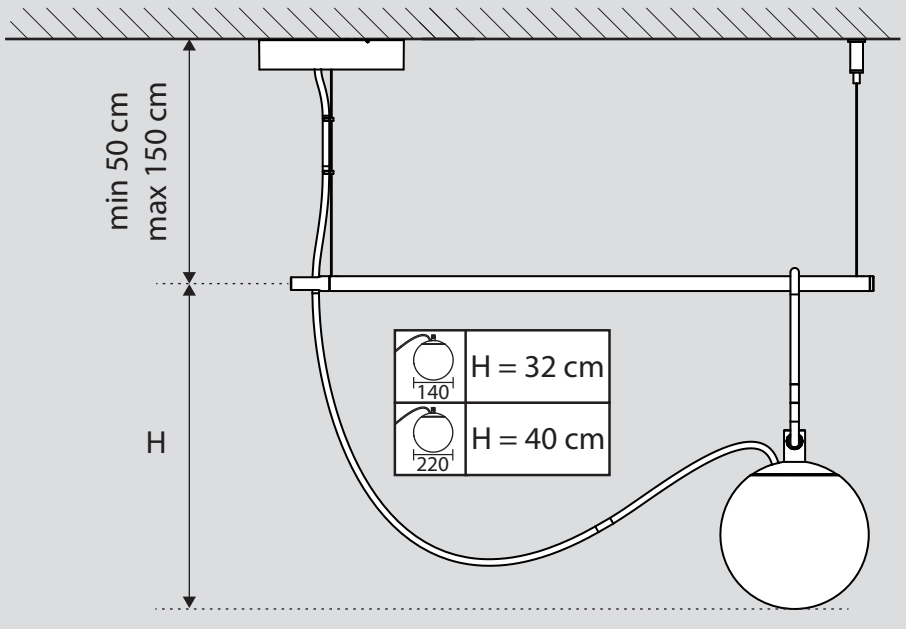
6

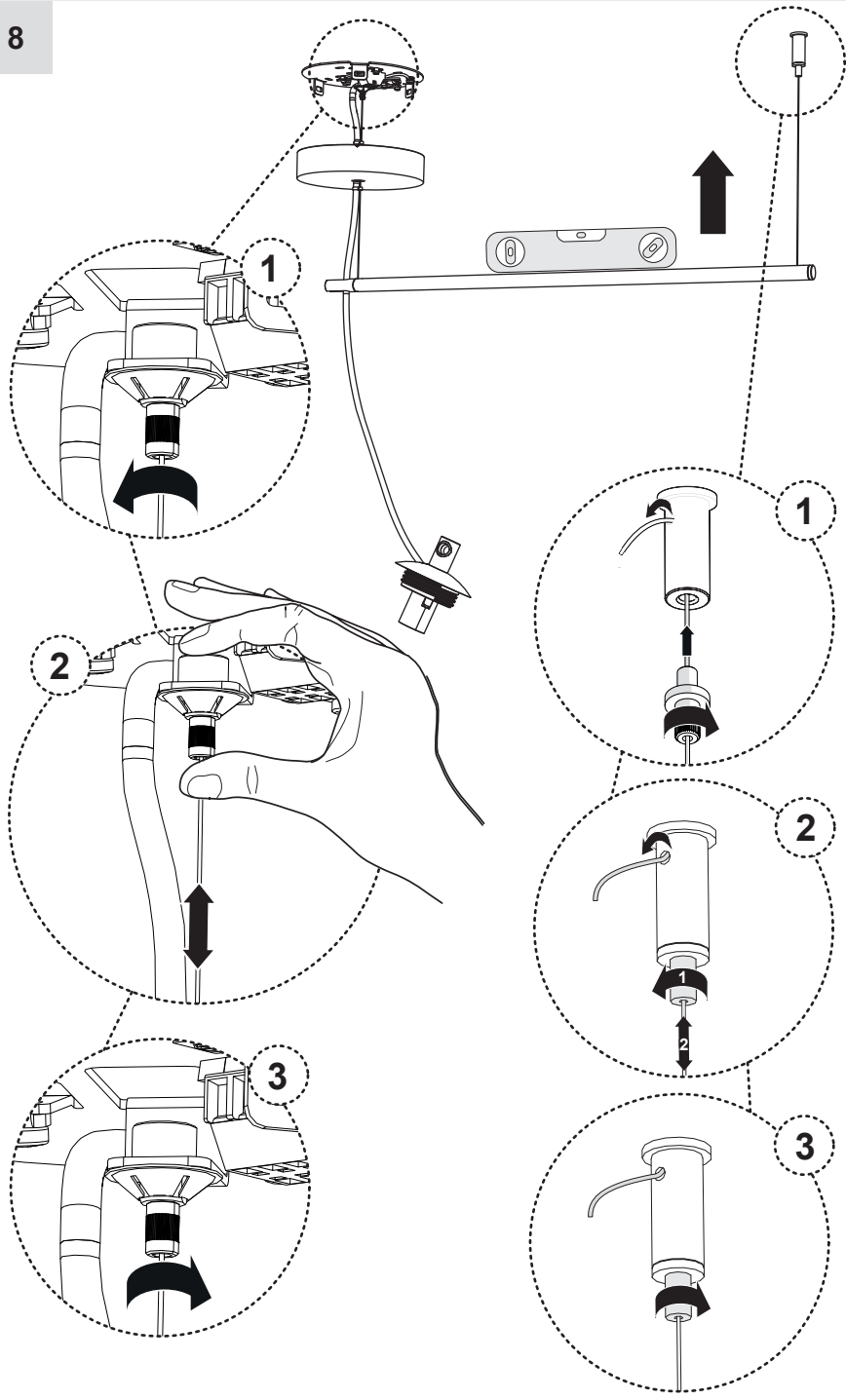


7

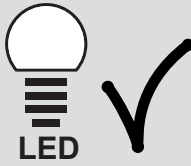
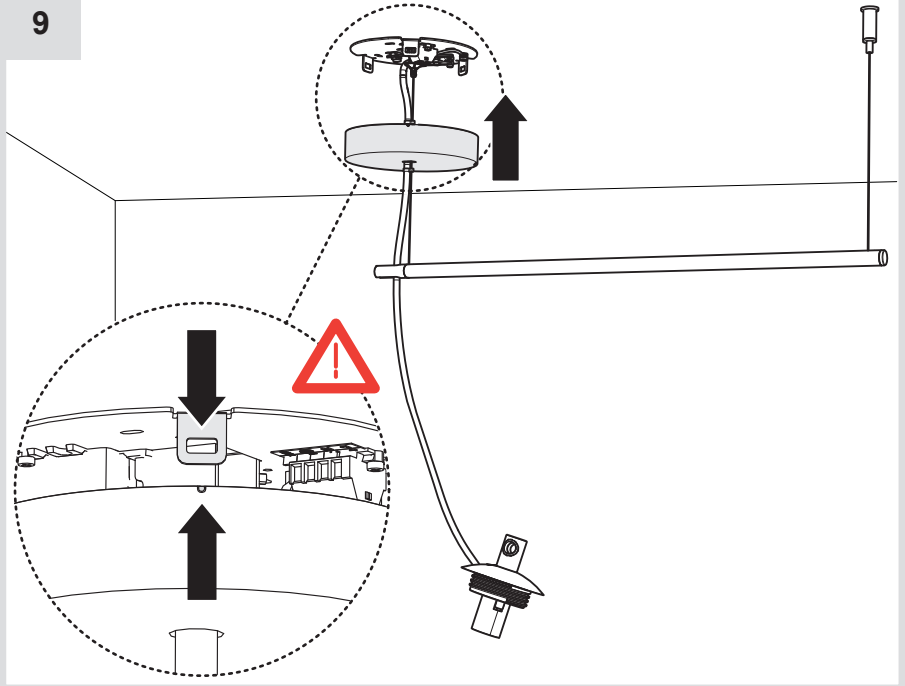


i





9

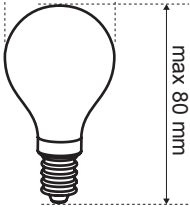


10a

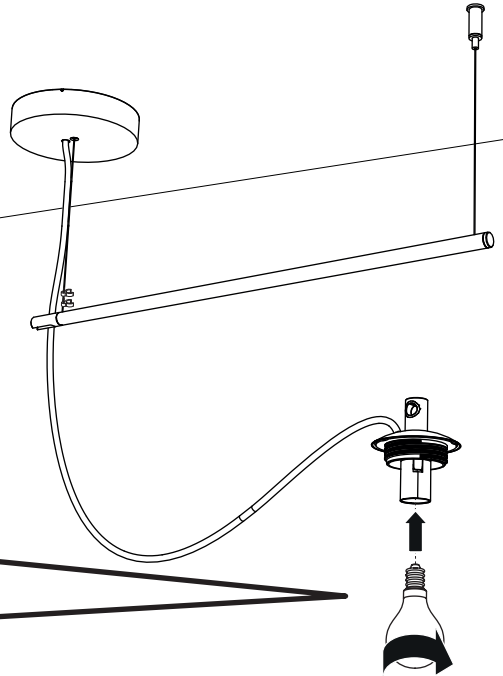


E14 - MAX 5W LED

max 50 mm



max 80 mm

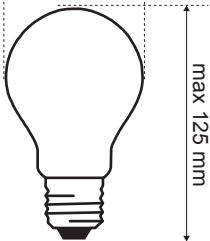


10b

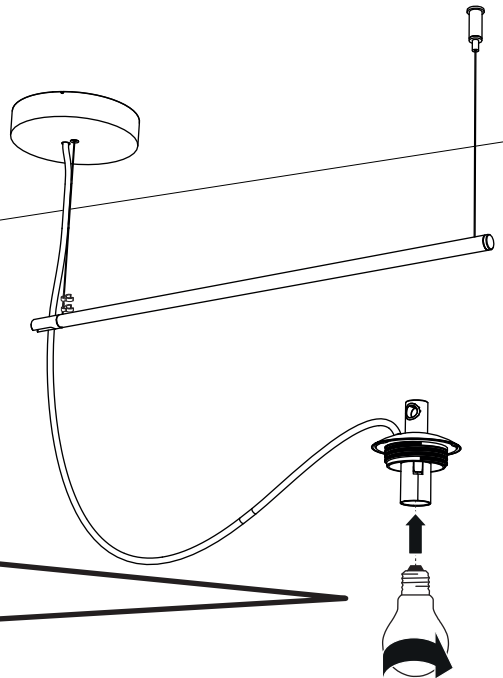


E27 - MAX 15W LED

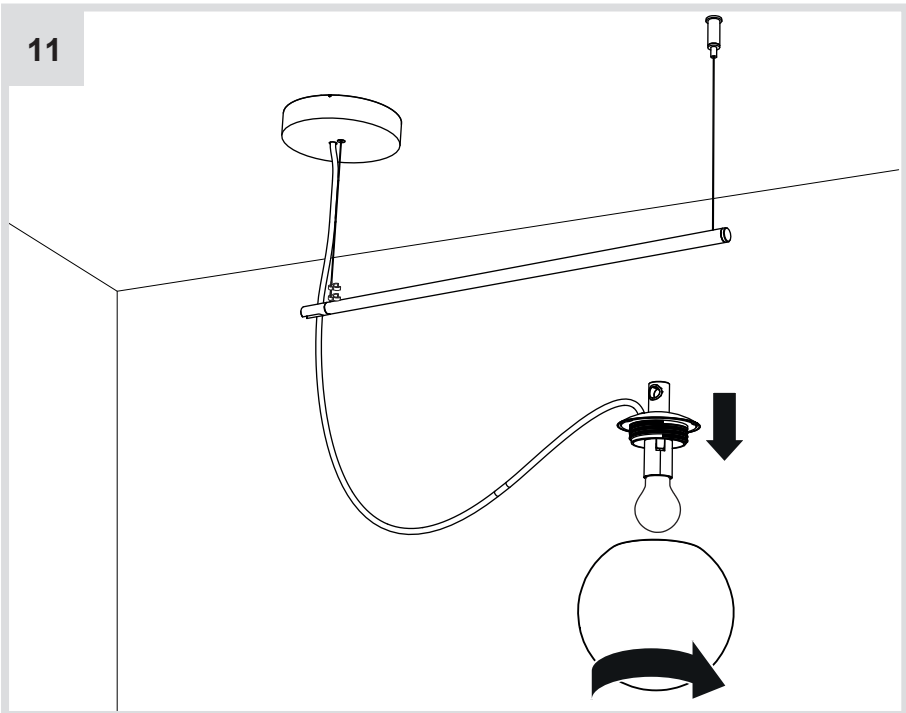
max 70 mm



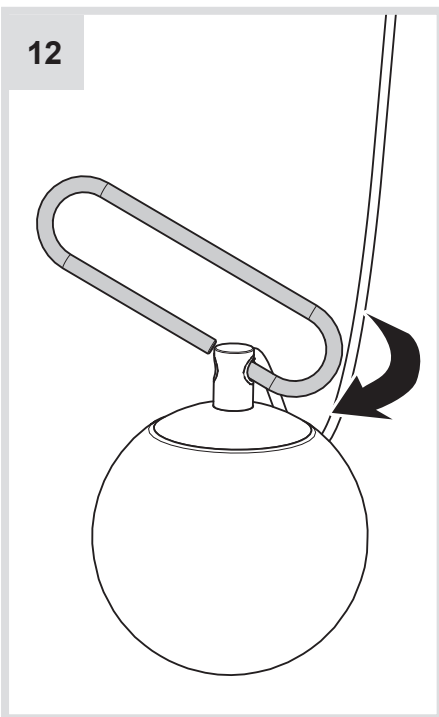
max 125 mm



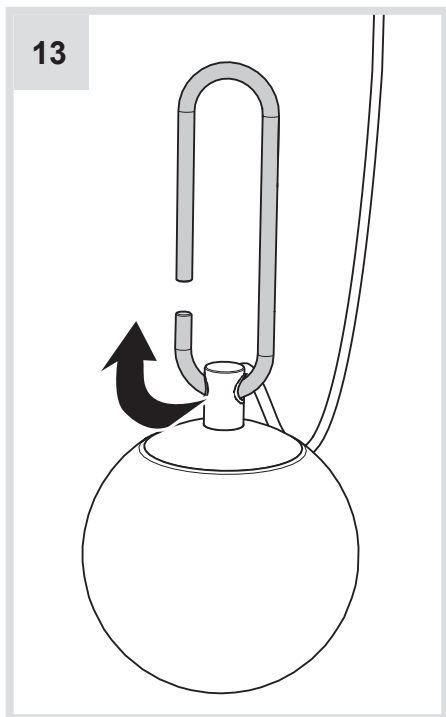
11



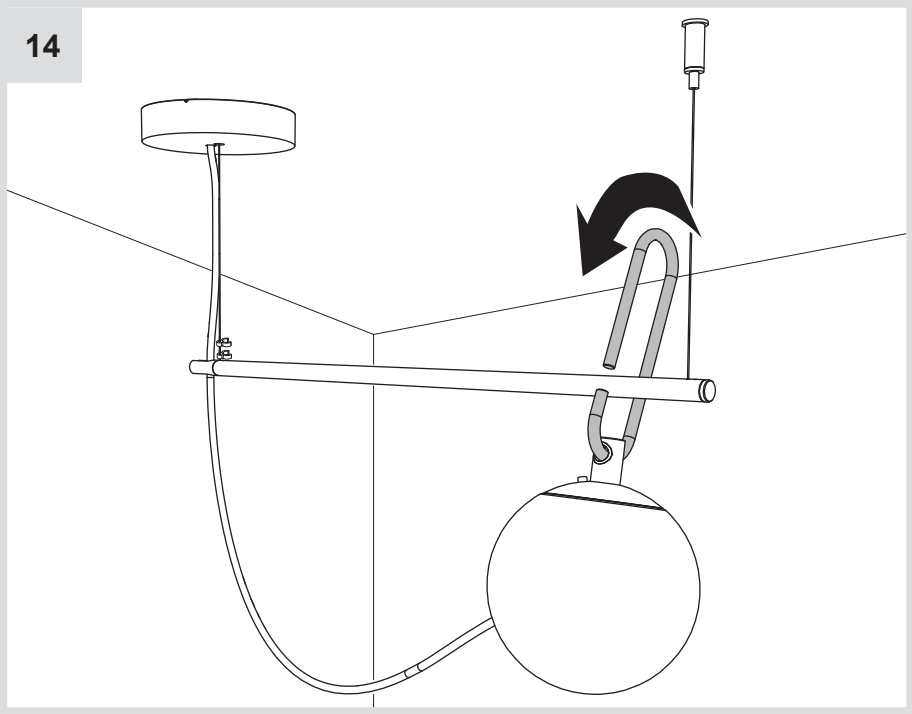
12



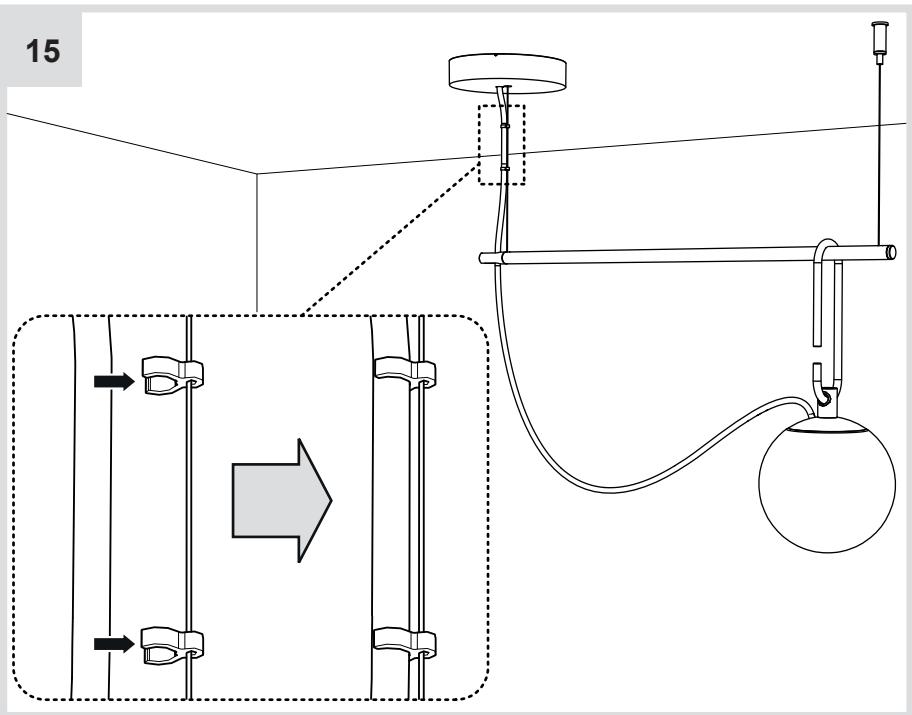
13



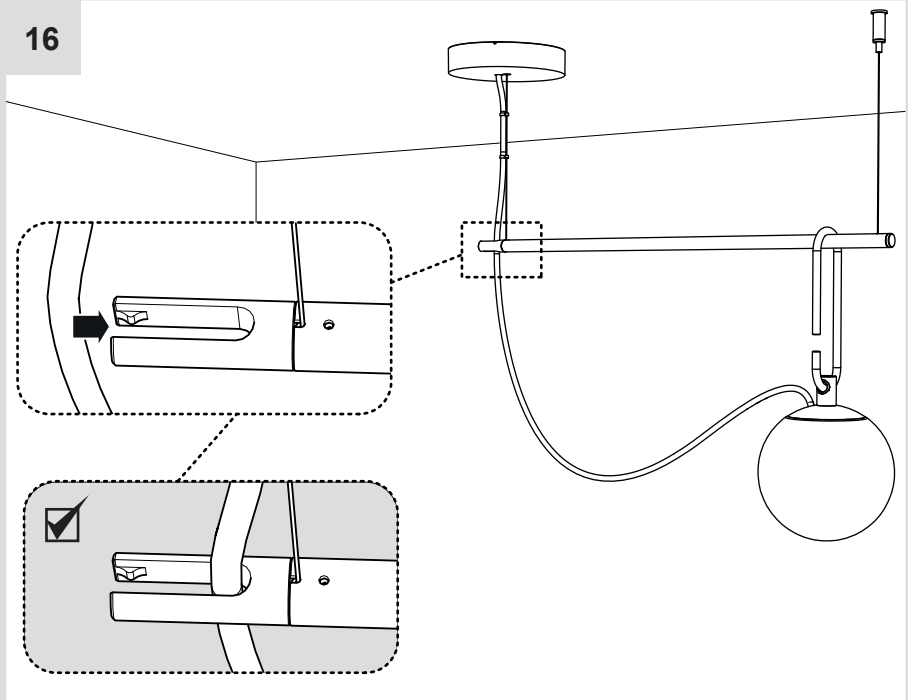
14



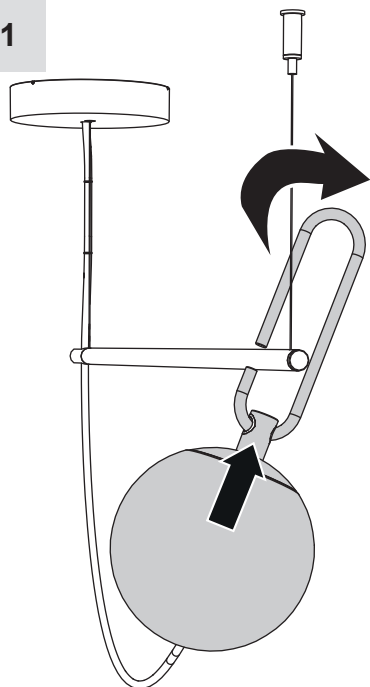
15



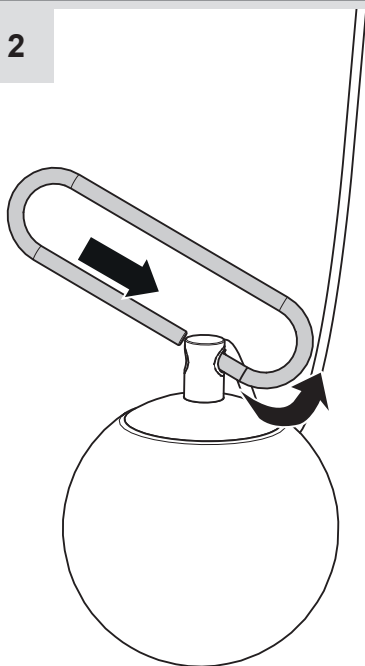
16



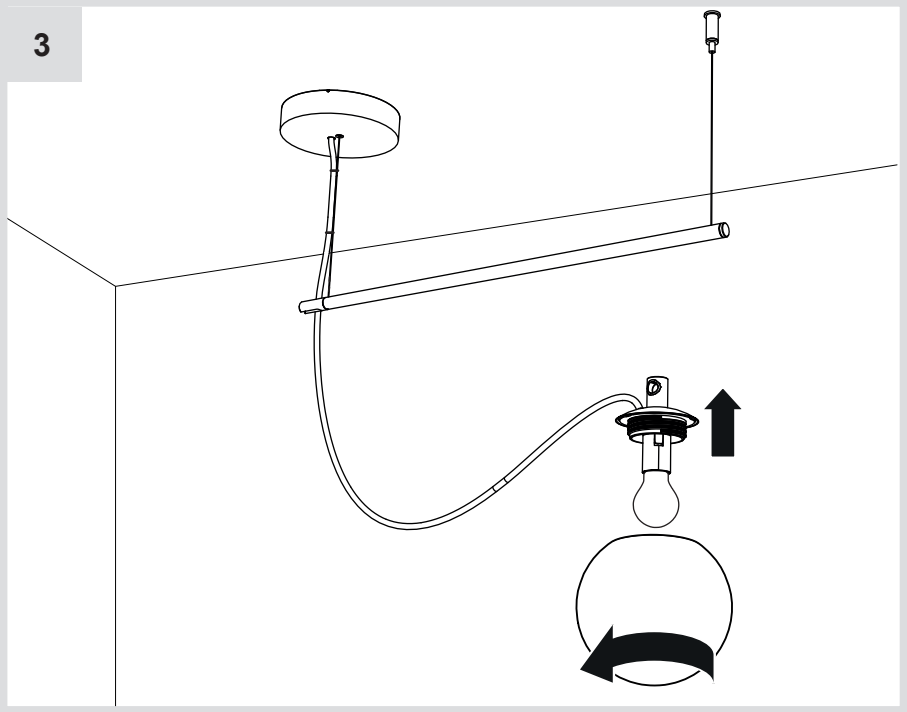
1



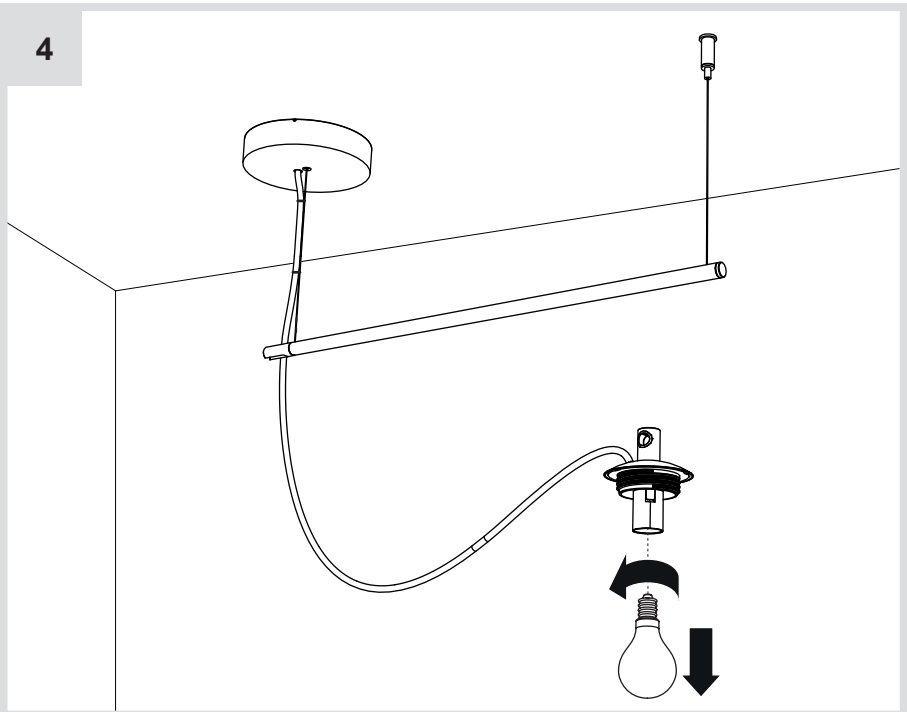
2



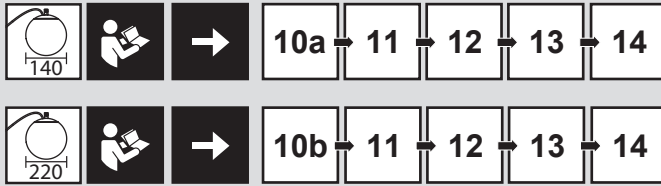
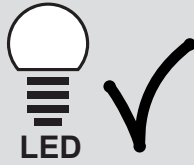
3

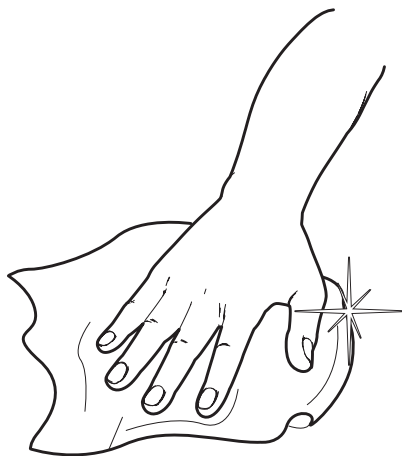
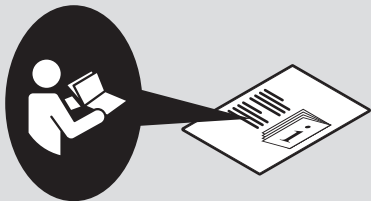


4

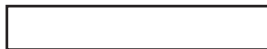


i





Artemide®



Artemide

via Bergamo, 18
20010 Pregnana M.se (MI)
ITALIA

tel. +39 02 935 181
fax +39 02 935 90 254
fax +39 02 935 90 496

www.artemide.com

VAT IT00846890150

cod. Y513000952