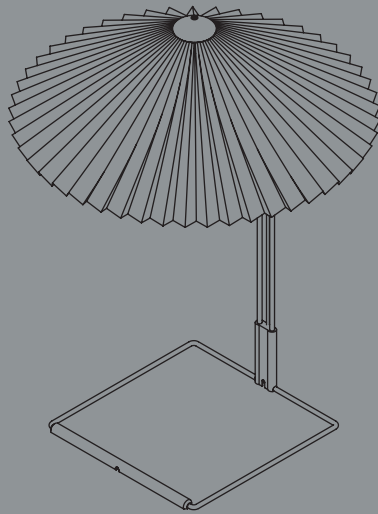


- INSTRUCTION MANUAL -

MATIN TABLE LAMP



DESIGN BY INGA SEMPÉ

HAY

TECHNICAL DATA

This product is supplied with an integrated LED light source. The expected lifespan of the LED light source is 25,000 hours, which equates to 8-10 years of general use. When the light source reaches its end of life, the whole luminaire should be replaced.

FITTING TYPE | Integrated LED

POWER (W) | 5W

COLOUR TEMPERATURE | 2800K warm white.

CARE AND MAINTENANCE

Do not use wet or damp cloths for cleaning and maintaining the shade. Please use a dry, lint-free cloth or duster to remove any dirt.

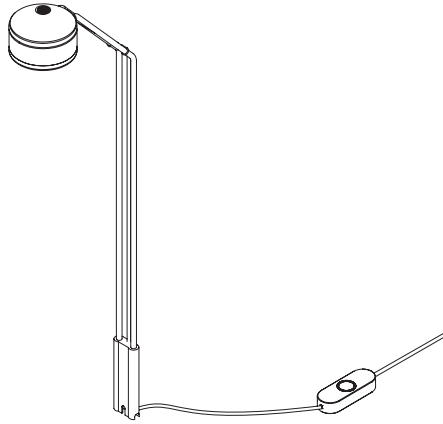
The base can be cleaned with a soft damp cloth and mild detergent, or a dry microfibre cloth. Do not use alcohol or any other solvents to clean the product and avoid using abrasive or rough sponges. Ensure that the power supply has been turned OFF before cleaning the product.

ATTENTION

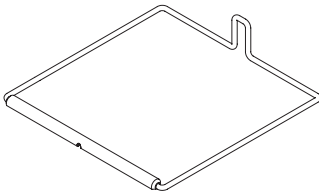
Ensure that the power supply to the circuit has clearly been turned OFF before installing the product. In some countries, electrical installation must be carried out by authorised electricians/contractors; please check with your local authority for guidance.

The product must not be modified in any way. HAY accepts no responsibility for any products that have been modified or tampered with. The external flexible cable or cord of this luminaire cannot be replaced. If the cord is damaged, the luminaire should be replaced. This lamp is designed for indoor use only.

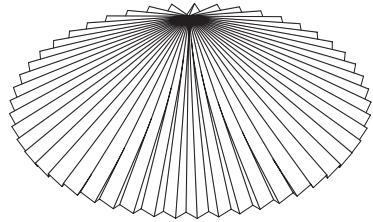
- PARTS -



Body



Base



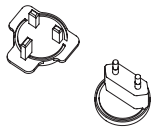
Shade



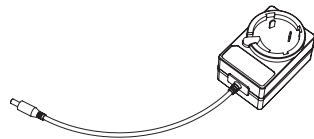
Top screw



Allen key



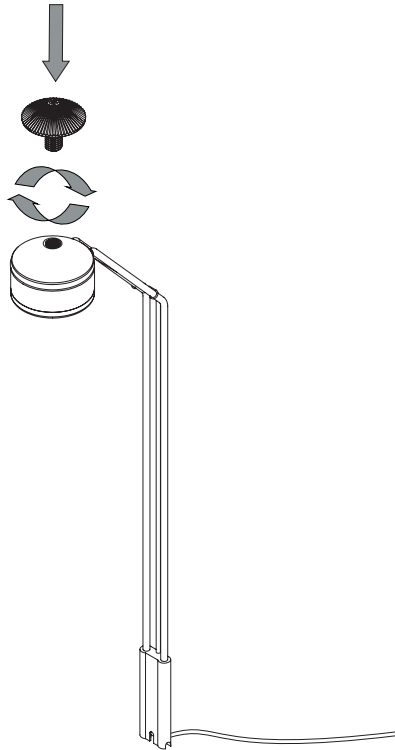
Adapter



Power supply

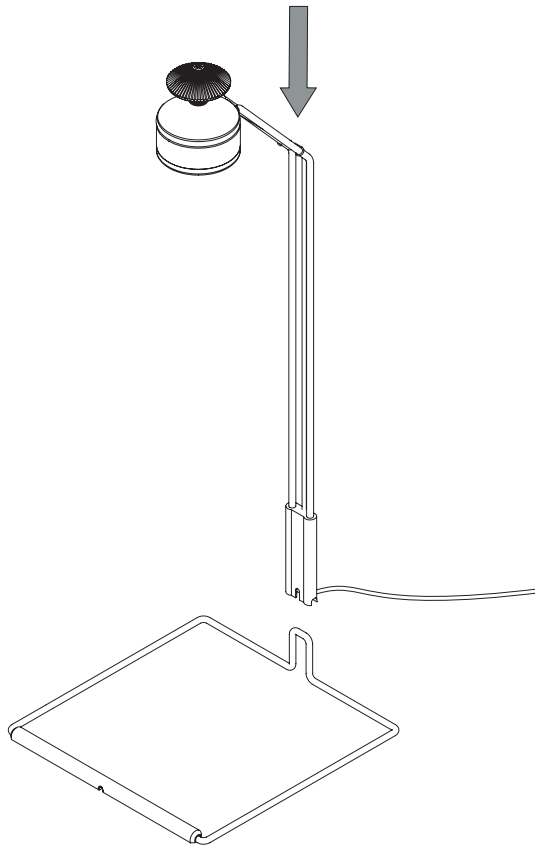
1.

Unpack all the parts and check that you have received all the parts listed. Screw the top screw into the top cap, as shown below. Do not fully screw it in place yet.



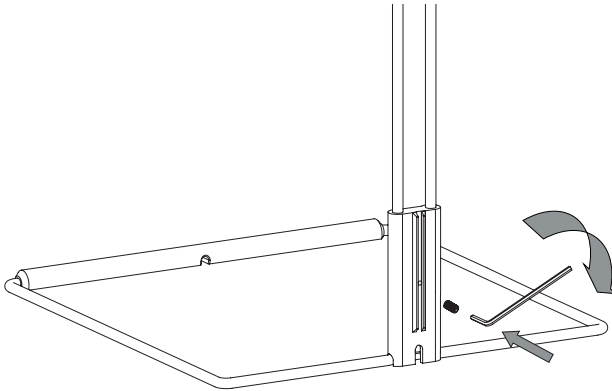
2.

Slide the stem onto the base frame, as shown below.



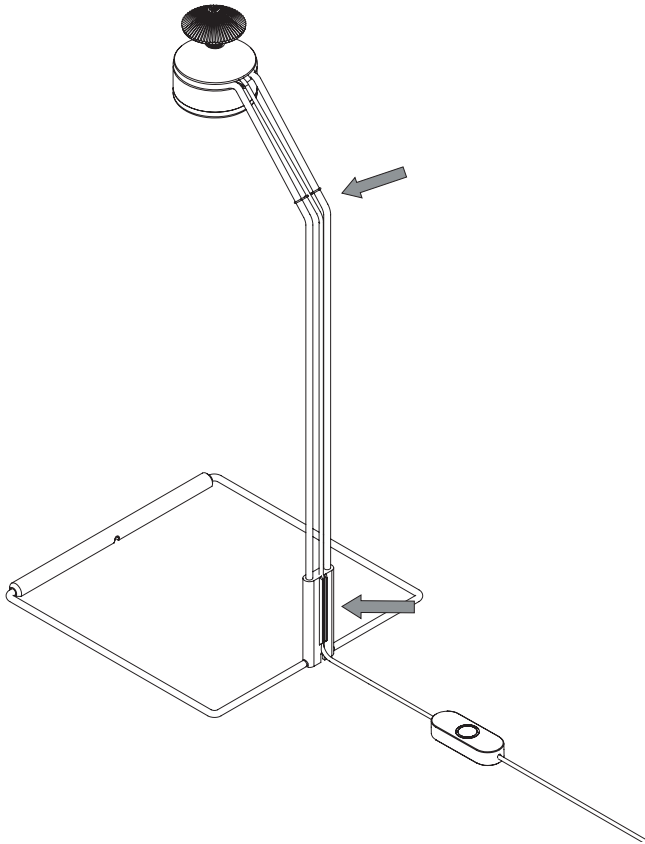
3.

Insert the set screw into the back of the connecting piece and screw it firmly in place, using the supplied tool. You will find the set screw and tool in the small bag.



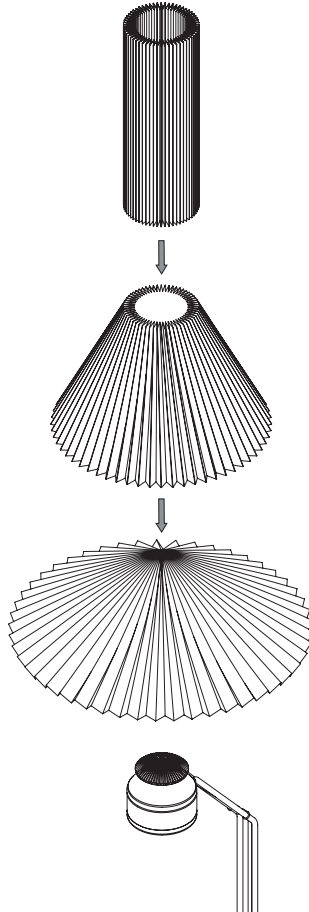
4.

Clip the cable into the cable clip, which is located on the stem, and in the groove on the back of the connecting piece at the bottom of the stem.



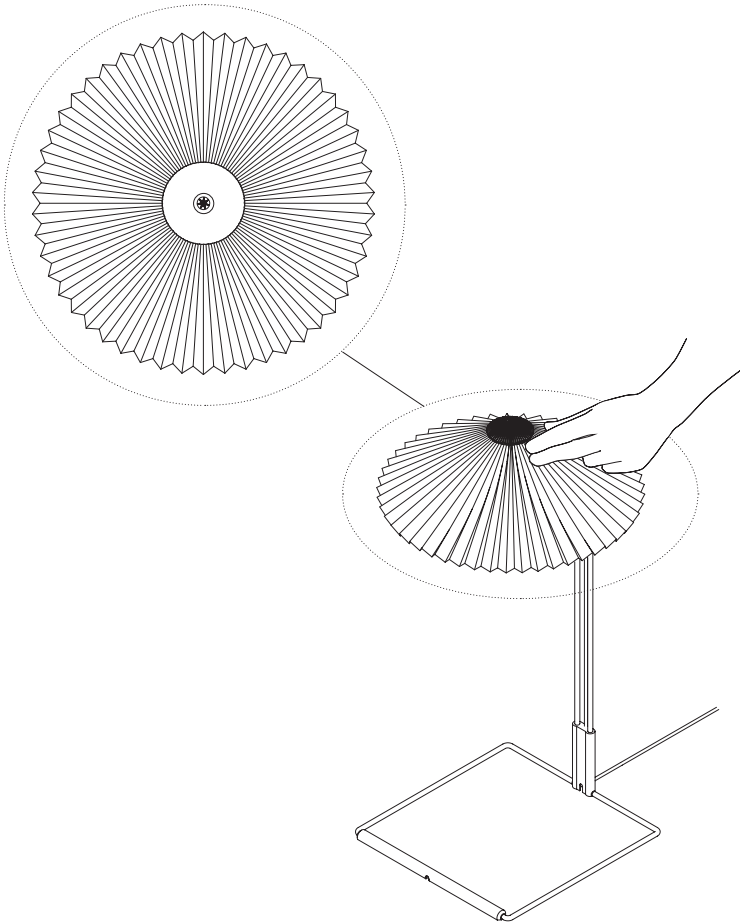
5.

Remove the shade from its packaging and spread out the bottom while simultaneously pushing it down over the top screw, so that it rests on top of the top cap. Gently push the top of the pleated shade underneath the top screw, so that it is wedged between the top screw and top cap.



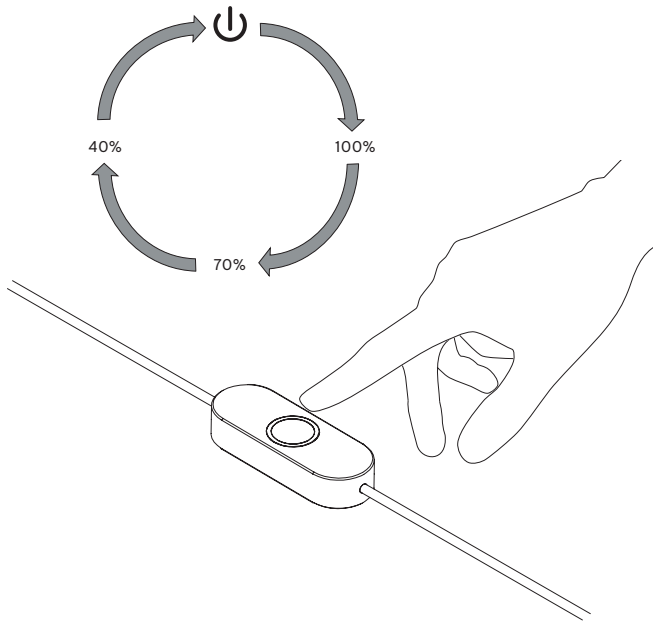
6.

Once the shade is in place, gently adjust the pleats at the top so they are evenly spread out, as shown below. Once the shade is as illustrated, the top screw can be fully tightened.



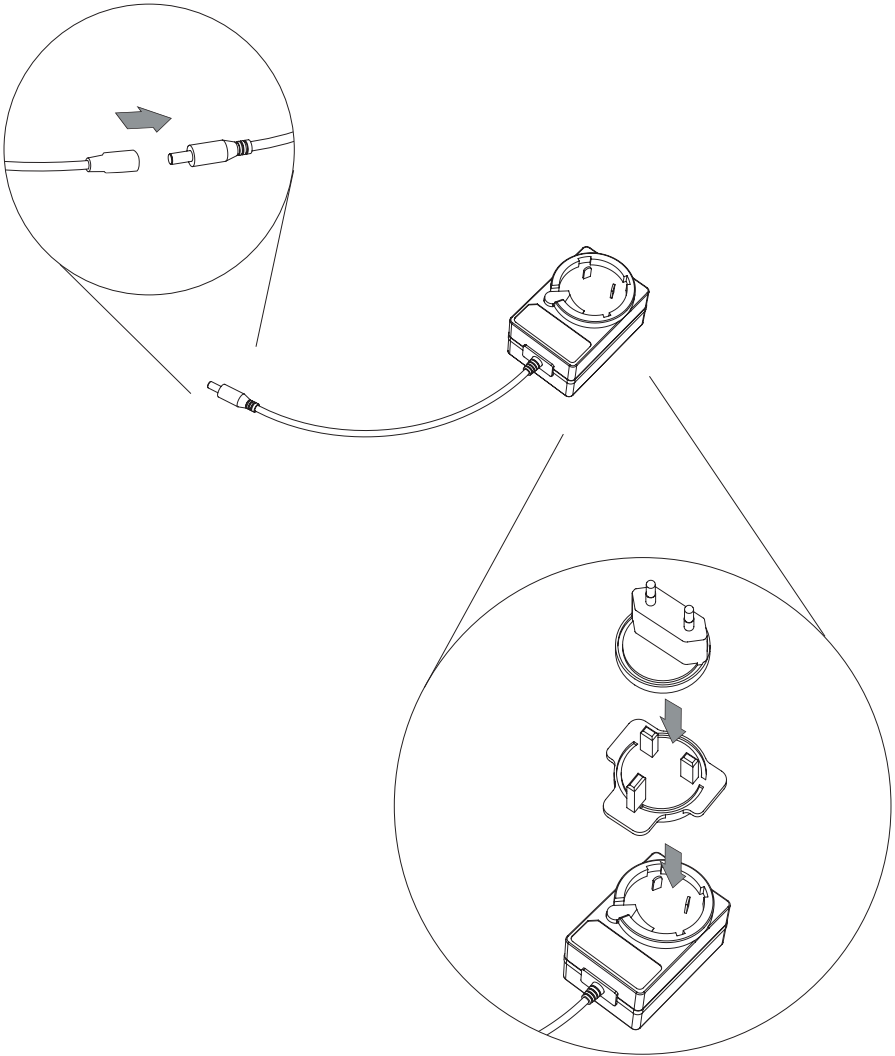
7.

The lamp's inline switch has a three-step dimmable feature. The first push sets the lamp to maximum brightness, the second push to medium brightness and the third push to lowest brightness. The fourth push turns the lamp off.



8.

Plug the trailing cable into the power supply.
Attach the correct adapter for your region.
The lamp is now ready for use.



- CARE & MAINTENANCE -

Our Care & Maintenance offers guidance for optimal maintenance of your HAY product. It includes advice and instructions on cleaning and caring for specific materials to prolong the life of your lighting.



Please find our Care & Maintenance guide by scanning the QR code



You can find more relevant information on Matin Table Lamp by scanning the QR code

You can also find the same information here
hay.dk/downloads

Havnen 1 8700 Horsens Denmark
+45 4282 0282 / hay@hay.com

www.hay.com

03/01/2022

HAY