


# MESH Ø 80cm

Design Francisco Gomez Paz

**LUCE  
PLAN**

Type:	Suspension		
Light source:	D86KT	LED 53W 2700K CRI 90	EEL: A
		dimmable phase cut 3.081 lm	
	D86KW	LED 50W 2700K CRI 90	EEL: A
		wireless compatible 2.496 lm	
Product use:	Indoor		
Materials:	Structure in steel, lenses in polycarbonate		
Colors:	Black		
Description:	The particular structure permits exceptional freedom in the control of luminance: it is possible to govern the intensity of the light.		



Insulation class: 

Reference code: Structure

**Mesh complete, phase cut version, Ø 80 cm**

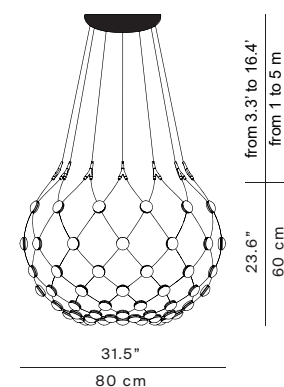
D86KT081	1D86KT081001	cable lenght 1 m
D86KT082	1D86KT082001	cable lenght 2 m
D86KT083	1D86KT083001	cable lenght 3 m
D86KT084	1D86KT084001	cable lenght 4 m
D86KT085	1D86KT085001	cable lenght 5 m

**Mesh complete, wireless compatible, Ø 80 cm**

D86KW081	1D86KW081001	cable lenght 1 m
D86KW082	1D86KW082001	cable lenght 2 m
D86KW083	1D86KW083001	cable lenght 3 m
D86KW084	1D86KW084001	cable lenght 4 m
D86KW085	1D86KW085001	cable lenght 5 m

D86/1      1D860/100000    Kit wireless  
to be purchased separately

D86NPI



Ceiling rose: Ø 30 x 7 cm

## SCENARIOS (only with D86/W1 or D86/W5)



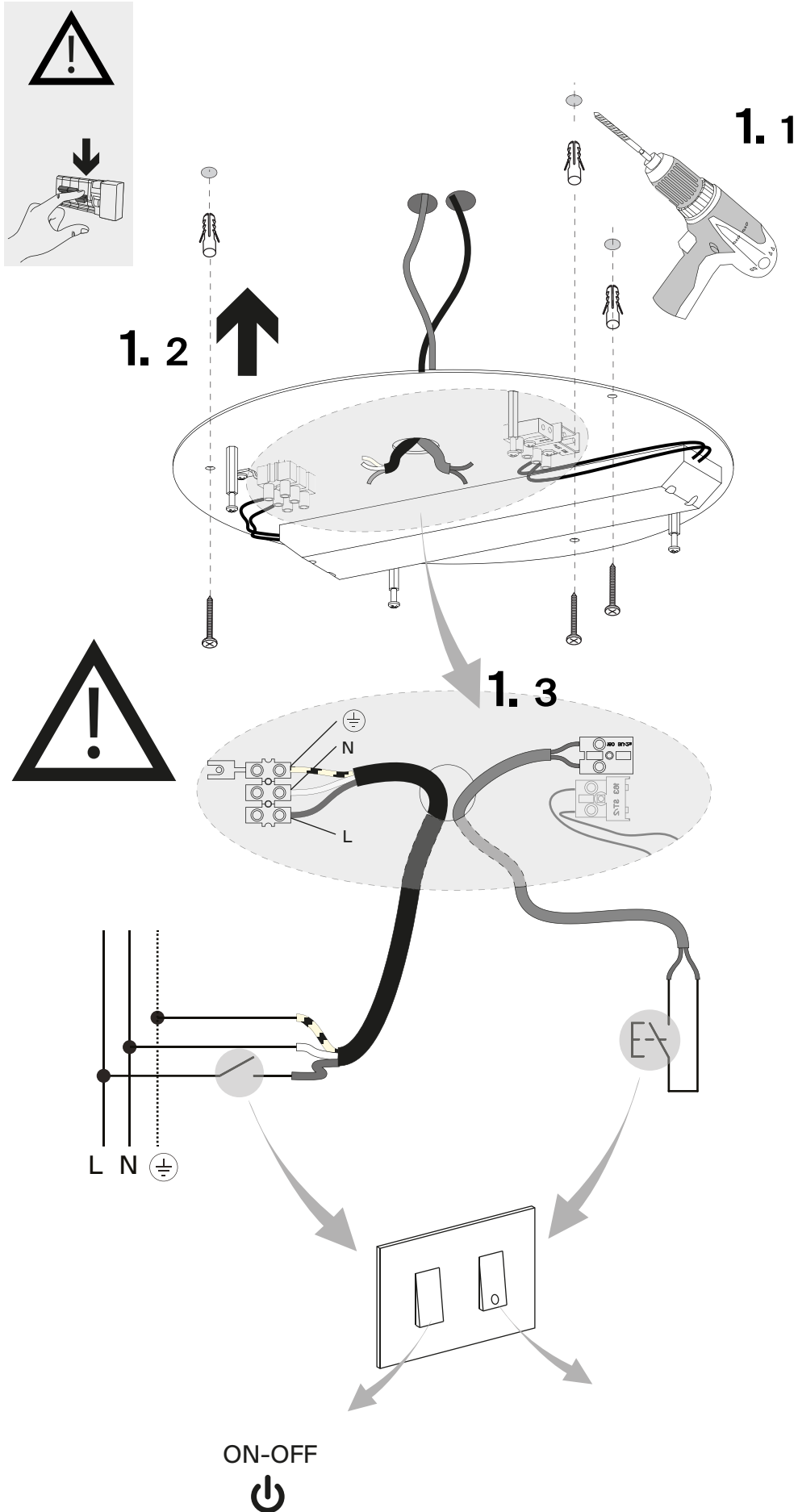
NOTE: The final shape of the luminaire may vary according to the length of the suspension cables.

# MESH

Design Francisco Gomez Paz

**LUCE  
PLAN**

## HOW TO INSTALL



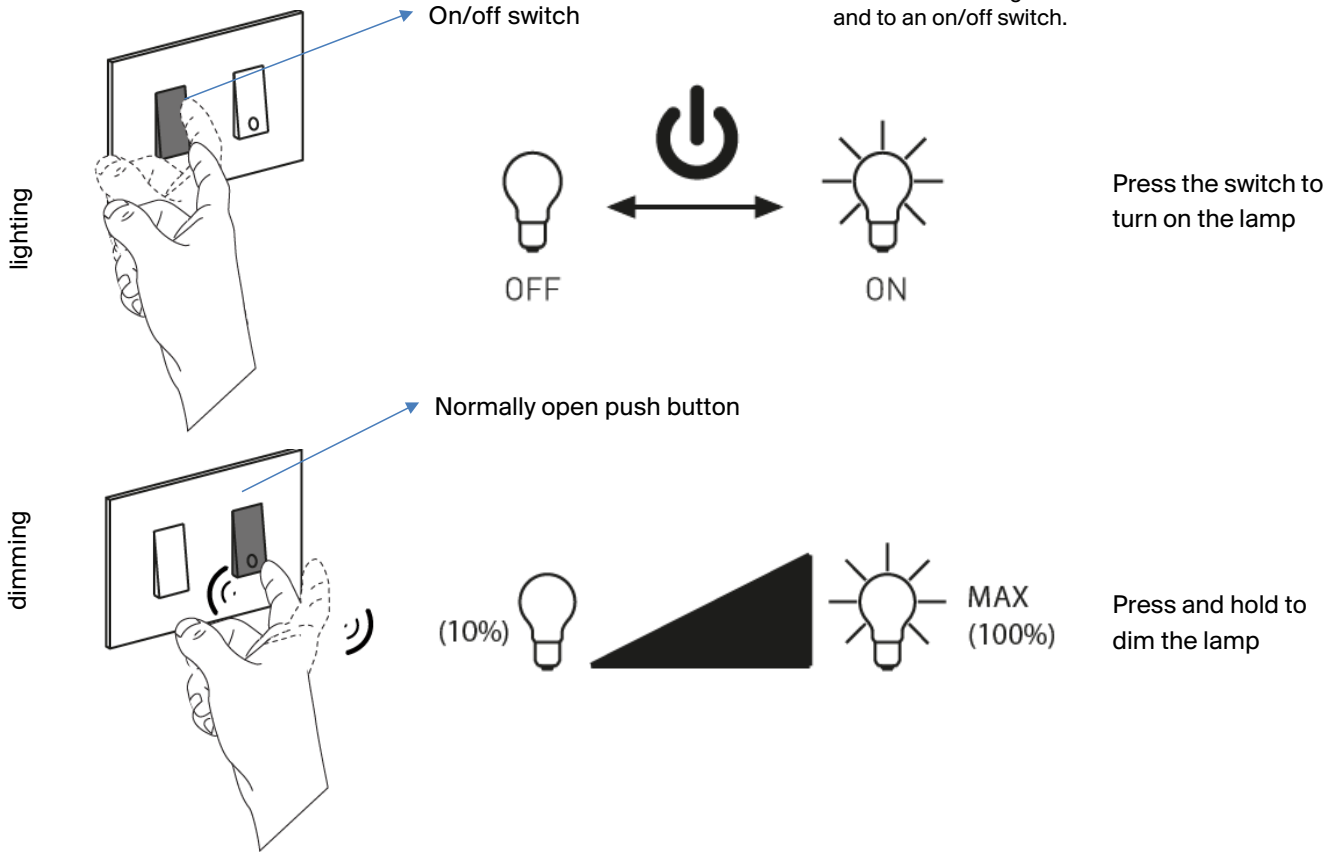
# MESH

Design Francisco Gomez Paz



## HOW IT WORKS

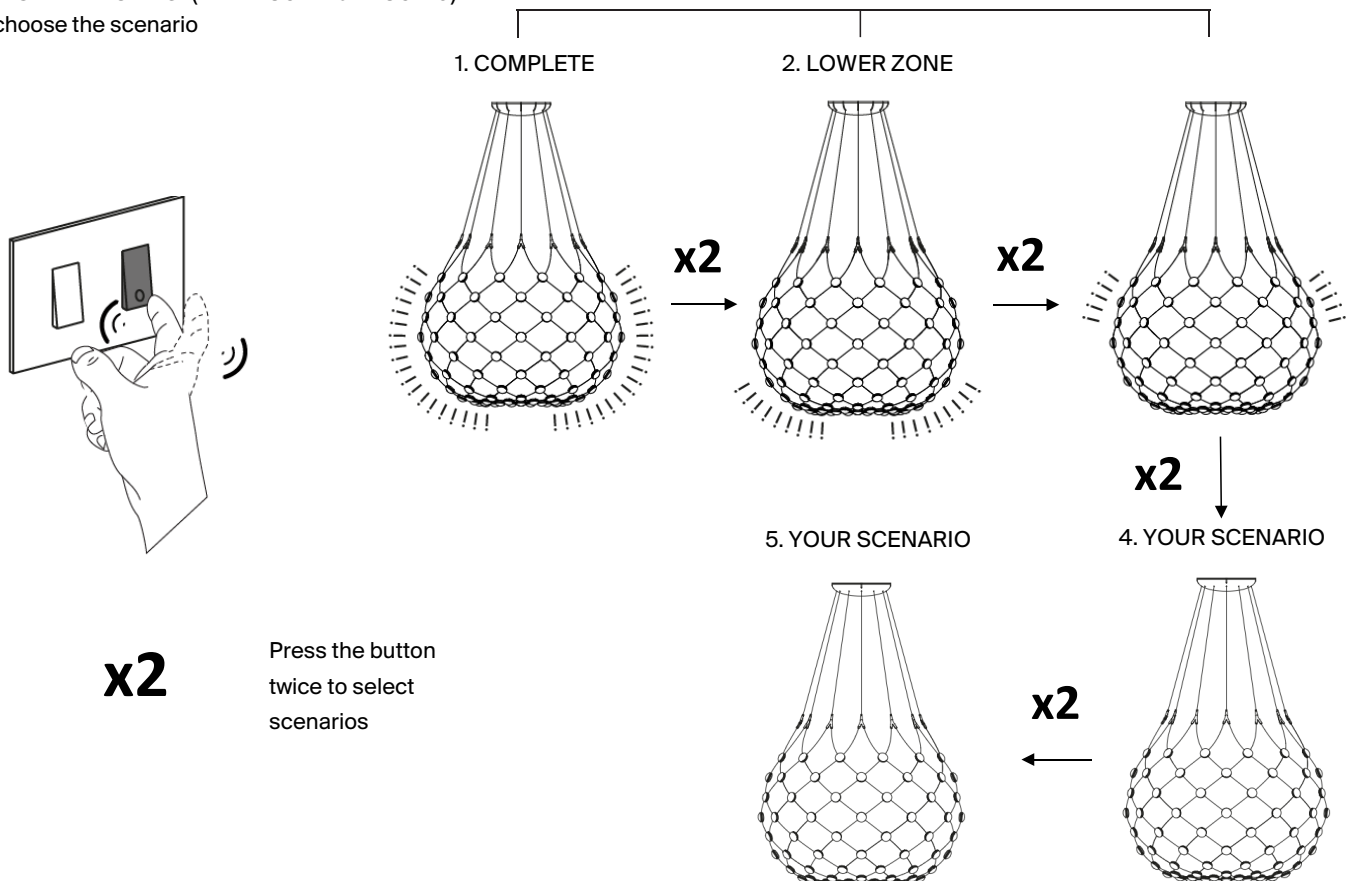
Mesh is controlled by a dedicated electronic board which is located in the ceiling rose. The board needs to be connected to a normally open push button in order to dim the light or to control the different scenes, and to an on/off switch.



## HOW IT WORKS (with D86W1 or D86W5)

choose the scenario

### PRESET SCENARIO



## D86 MESH DIMMER LIST for dimmable phase cut version

<b>Brand</b>	<b>Model number (Dimmer)</b>	<b>Dimming Range</b>	<b>Leading/ Trailing edge</b>
ELKO	315GLE	7-100%	Trailing edge
Schneider	SBD315RC	10-100%	Trailing edge
Lutron	RISU-452	8-100%	Trailing edge
Lutron	LLSI-502	15-100%	Leading edge
CLIPSAL	32E450TM	15-100%	Trailing edge
CLIPSAL	32E450LM	18-100%	Leading edge
JUNG	243EX	18-100%	Trailing edge
BerKer	2875	0-100%	Leading edge
Asialink	8082	17-100%	Leading edge
DOYLE & TRATT PRODUCTS LTD	P500	17-100%	Leading edge
SIEMENS	400W	30-100%	Leading edge
VADSBO	LD220	1-100%	Trailing edge
MALMBERGS	HD2200	10-100%	Trailing edge
Eltako	EUD61NPN-UC	0-100%	Trailing edge
Eltako	EUD12NPN-UC	0-100%	Trailing edge