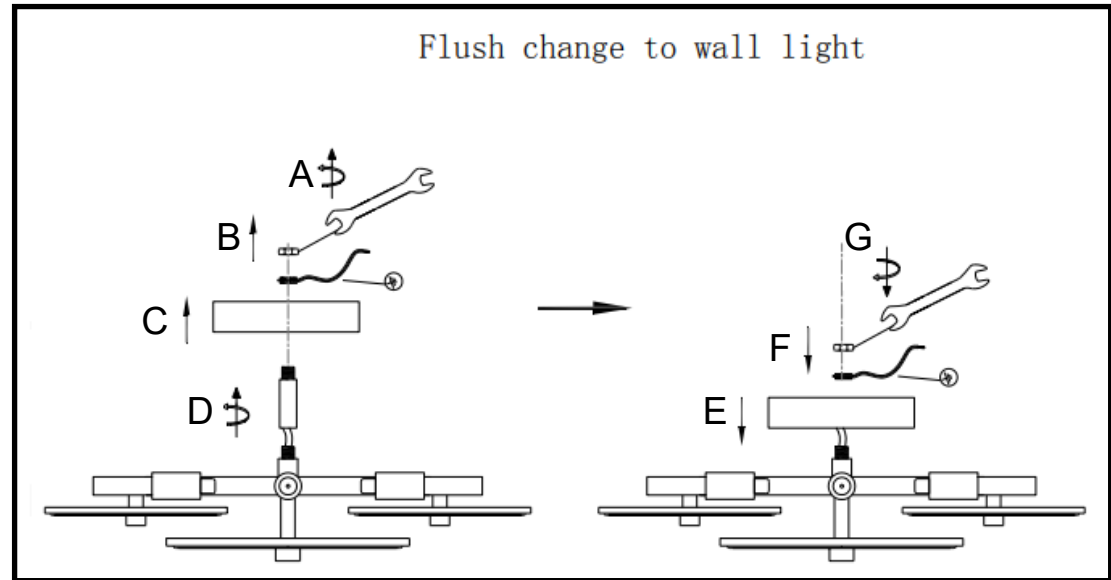
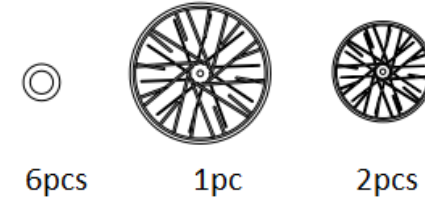
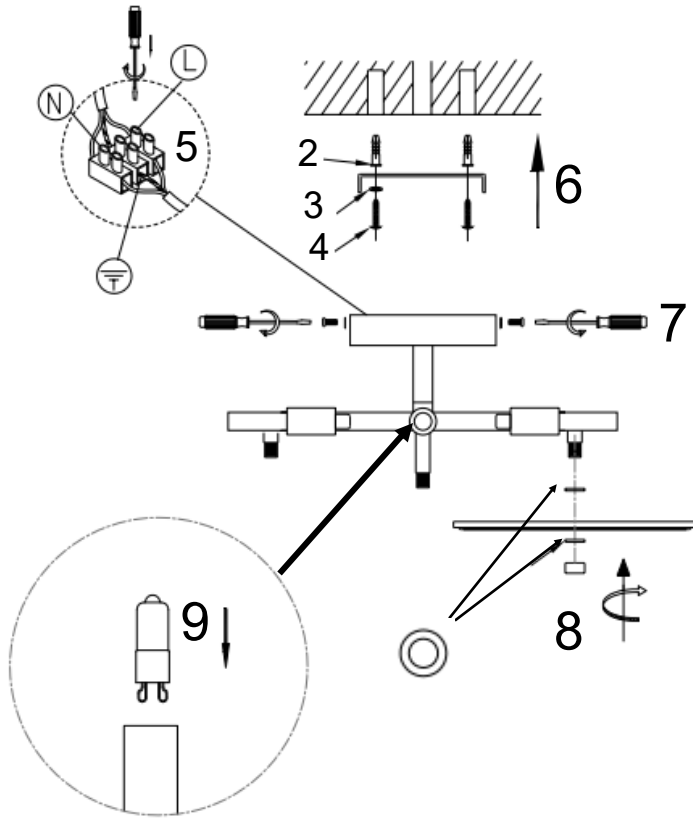


10



APPROVED  
12/4/2023  
ISSUE 1

Q.C

**MAINS SUPPLY**

