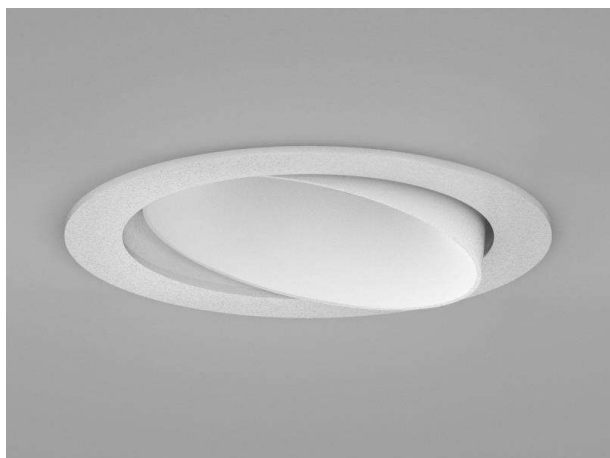


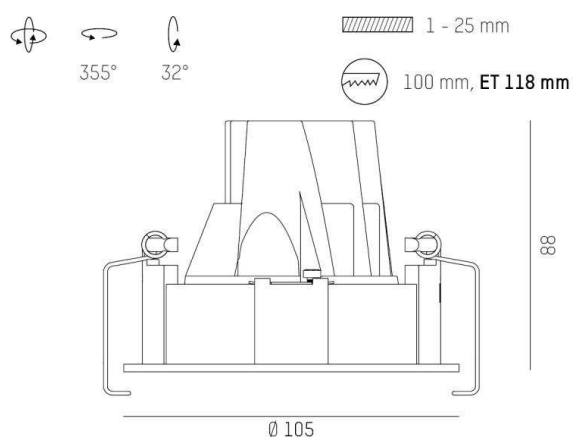
DARK NIGHT S

684-00506052405v1

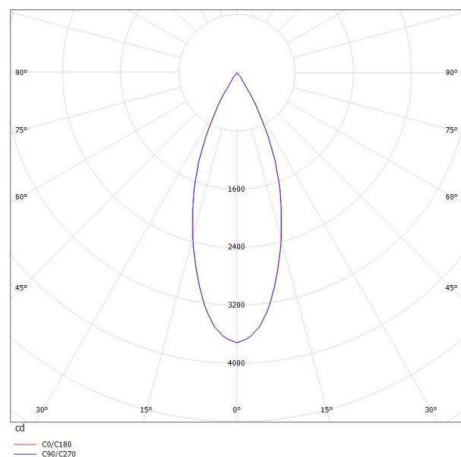
DARK NIGHT TURN SMALL R RECESSED SPOTLIGHT made of aluminium, white matt, similar to RAL 9016, decor white, high-efficiently vacuum deposited aluminium reflector beam 40°, light output direct, UGR <16, swiveling 355°, tilting 32°, without converter, max. 350/500mA, IP20



DRAWING



LIGHT DISTRIBUTION CURVE



TECHNICAL DETAILS

Bulb type	LED 13/19W
Luminous flux [lm]	1230/1680
Current sec. [mA]	350/500
Colour temp. [K]	4000K
CRI	>90
UGR	<16
Optics	vacuum deposited aluminium reflector
Designer	INHOUSE
Converter	without converter
Light output	direct
Beam angle [°]	40°
Material	aluminium
Height [mm]	88
Diameter [mm]	105
Ceiling cutout [mm]	100
Ceiling thickness [mm]	1-25
Recess depth [mm]	118
IP protection class	IP20
Voltage class	protection cl. II
Net weight [kg]	0,34
Color lamp	white matt
RAL	9016
Colour decor	white
EAN-Number	9010506114157
Lifetime [h]	L80 B10 50 000
Energy efficiency cl.	D



The values are rated values. Power and luminous flux are initially subject to a tolerance of +/- 10%. Colour temperature tolerance: +/- 150 K. The values apply to an ambient temperature of 25°C unless otherwise specified.