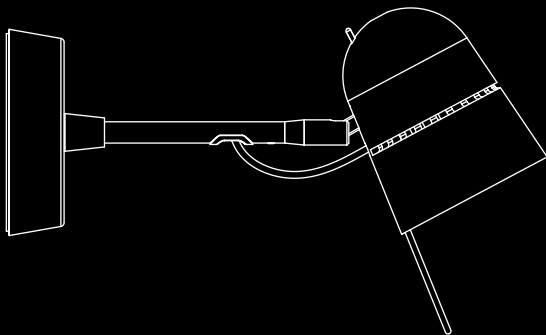


COUNTERBALANCE

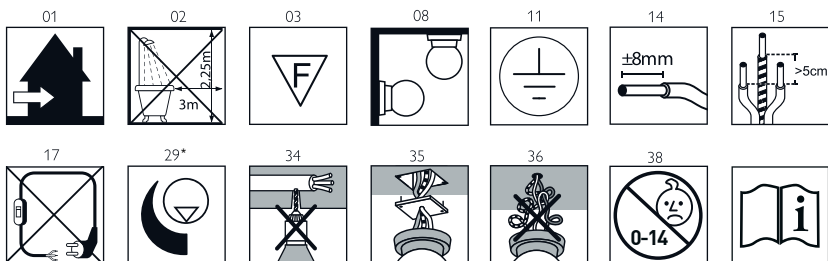
design Daniel Rybakken



**LUCE
PLAN**

D73





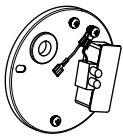
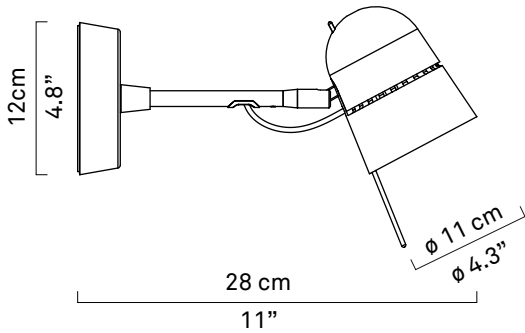
* Compatible wall mounted dimmers

Supplier	Supplier References
Busch	2247U
Busch	6523U
C rabtree	DV219112
Legrand	67084
NIKO	310-01901
Vimar	20160

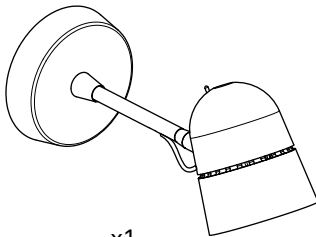
for more information please visit:

http://www.lighting.philips.co.uk/subsites/oem/download/fortimo_led_disk/fortimo_led_disk_800lm_design_in_guide.pdf

D73 A



x1



x1

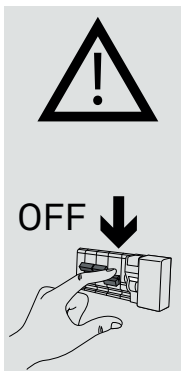
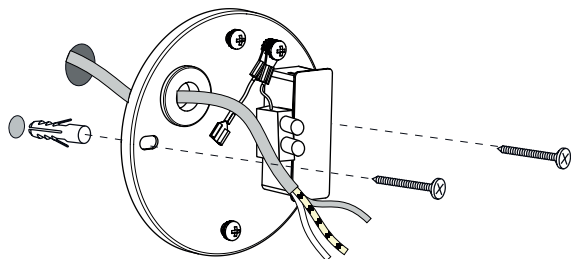


x1

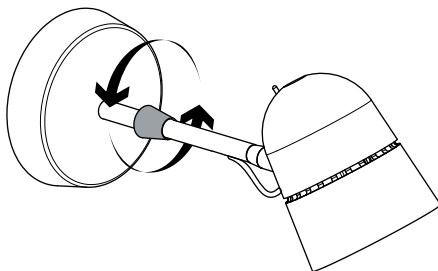
kg 0,9 kg

lb 1.8 lb

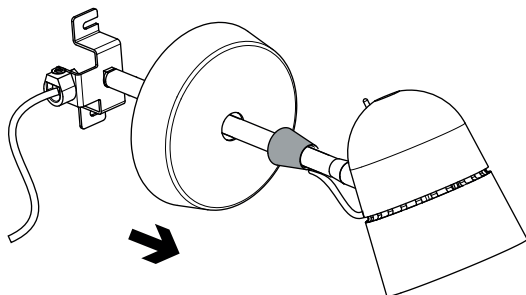
1



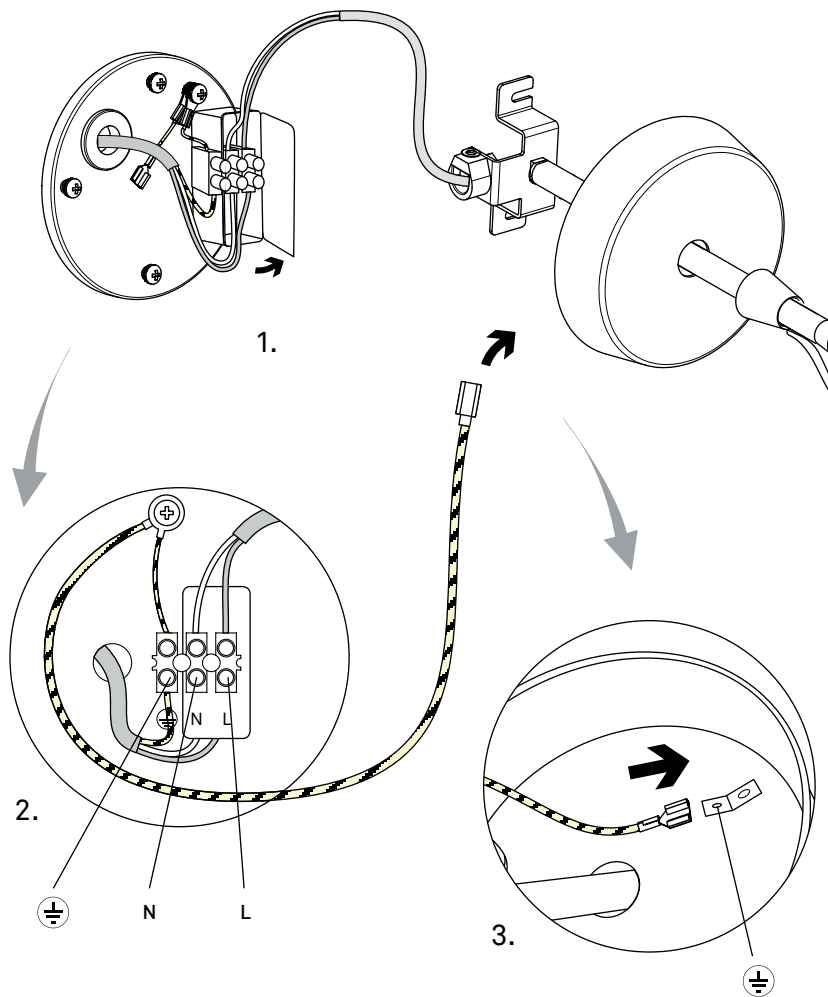
1.1



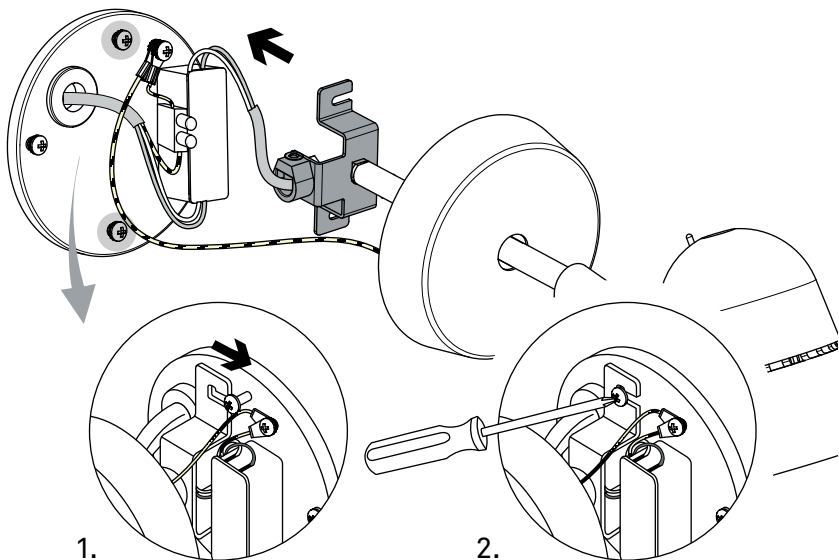
1.2



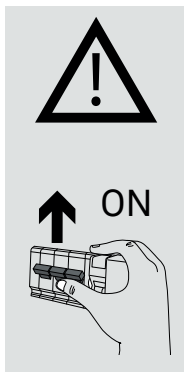
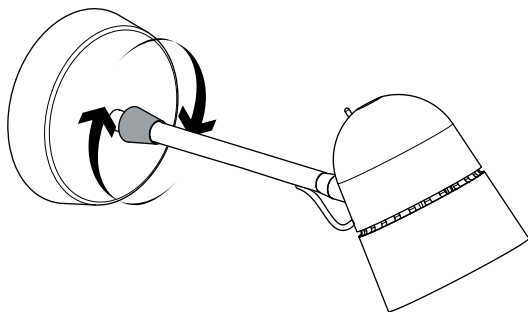
1.3

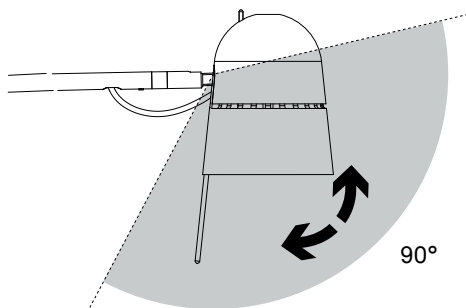
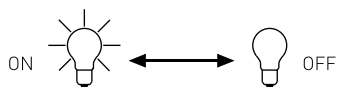
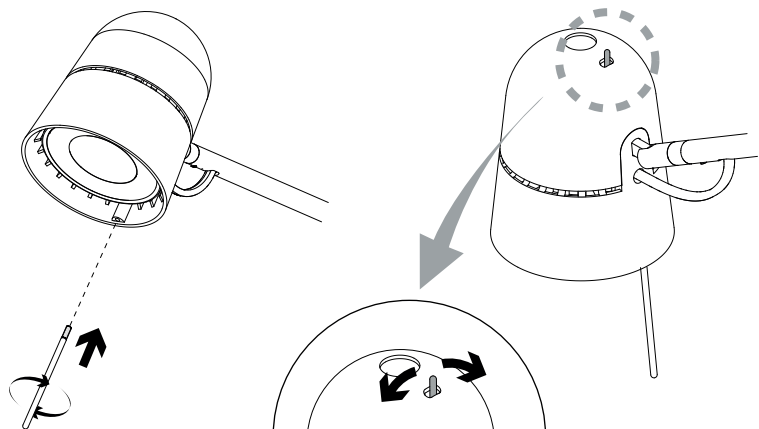


1.4



1.5







www.luceplan.com

D730|C201