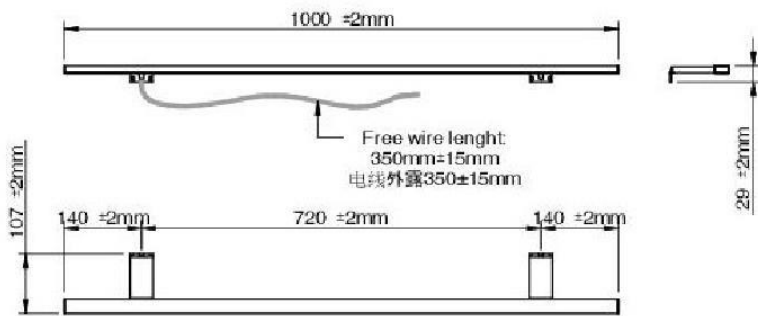


MODEL: APLIQUE ESTHER 2 S-3R CR ACLED CII IP44 1X15W 1000MM CM

CODE:

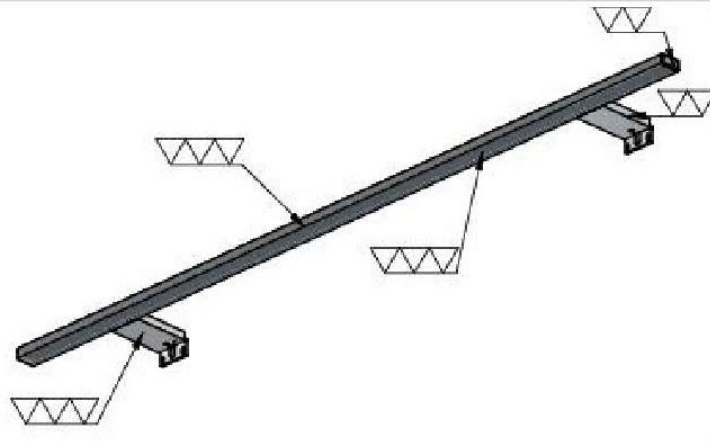
E27282CI

DIMENSIONS OF PRODUCT:



QUALITY OF POLISHED SURFACE:

SURFACES :



MATERIALS AND DECORATIONS:

AL/PC Finish: Bright chrome

FIXING TO SURFACE:

Wooden frame

QUALITY SYMBOLS

- NORMAL
- GOOD
- VERY GOOD

BOXING

INSIDE	UNITS	MEASUREMENTS "M"	WEIGHT "kg"	VOLUME "m3"	COMPONENTS
Box	1	0,035 0,135 1,03	0.84	0,004867	1 Applied 2 Square and accessories bag; 1 Instruction sheet 1 Led module installed in luminaire
OUTSIDE					
Lot box	10	0,195 x 0,29 x 1,045	9.2	0,059095	10 Individual boxes by batch
Palet	240	1,89 x 0,8 x 1,2	245.8	1,814400	24 Industrial boxes x 10 individual

MANUFACTURING REQUIREMENTS:

Minimum of production: 500 Un. Delivery time: 55 Working days

SPARE

E17843-Junction box 2P IP44;E26055EI-UTE;E24915EI- Multi hooking bracket s2-4

ELECTRIC POWER

Nominal voltage	Power	Lamp holder	Lamp	Connexion to network
220-240V~50/60Hz	MAX 1X15W	LED		A+ Using junction box 2P IP44

STANDARIZATION AND CLASSIFICATION

UNE-EN 60598
IP44
 0,10m

certificate nº
EBILU171403

ILLUMINANCE AND LIGHT SOURCE

Light temp	life bulb	Lux	Direction of light
5700K ±300K	36000h	1) 1750	
	Lumens	2) 640	
	1265	3) 314	

ECO DESIGN	
	Ecological impact value
	Low
	0,667