

# DECOMPOSÈ LIGHT

suspension

Atelier Oi | 2016



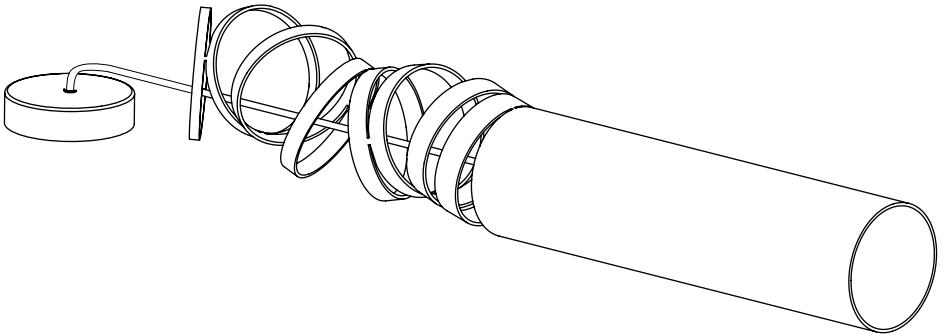
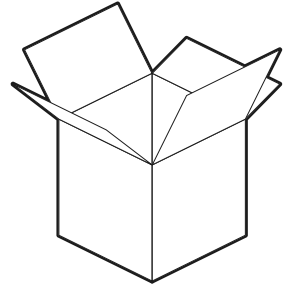
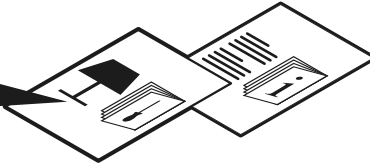


Fig. 1

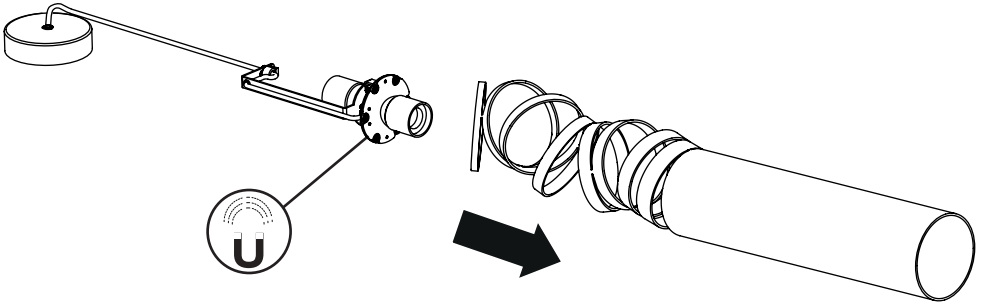


Fig. 2

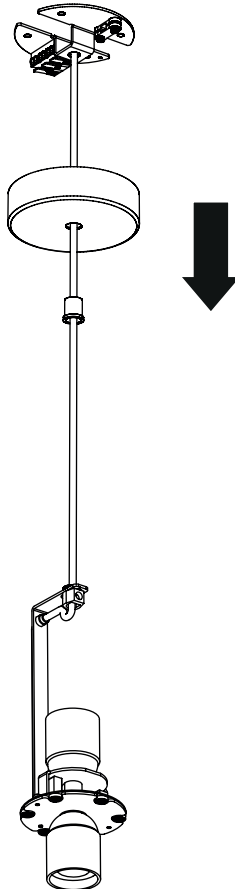


Fig. 3

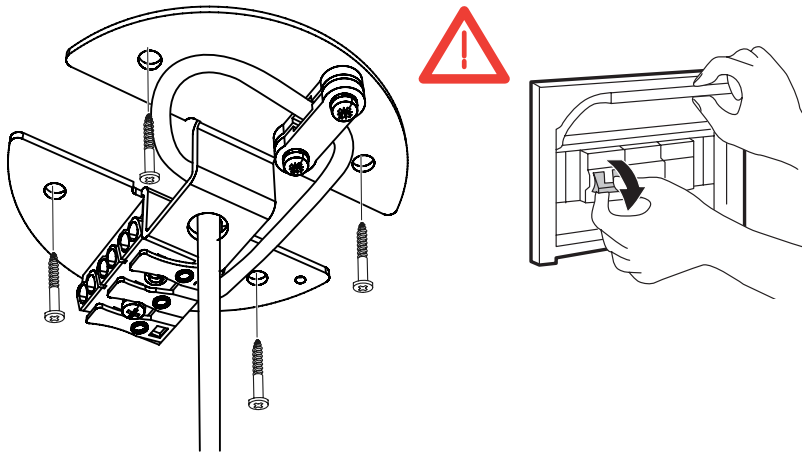


Fig. 4

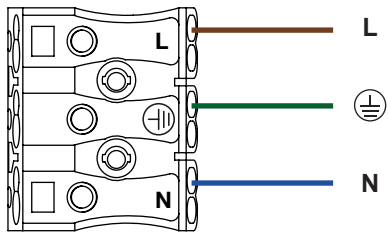


Fig. 5

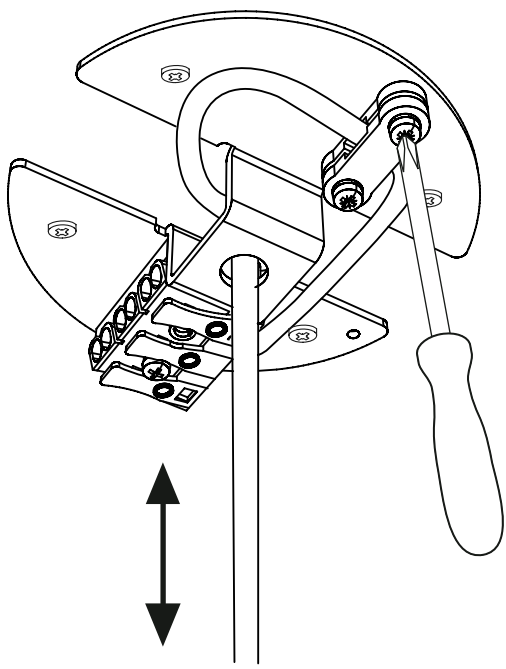


Fig. 6

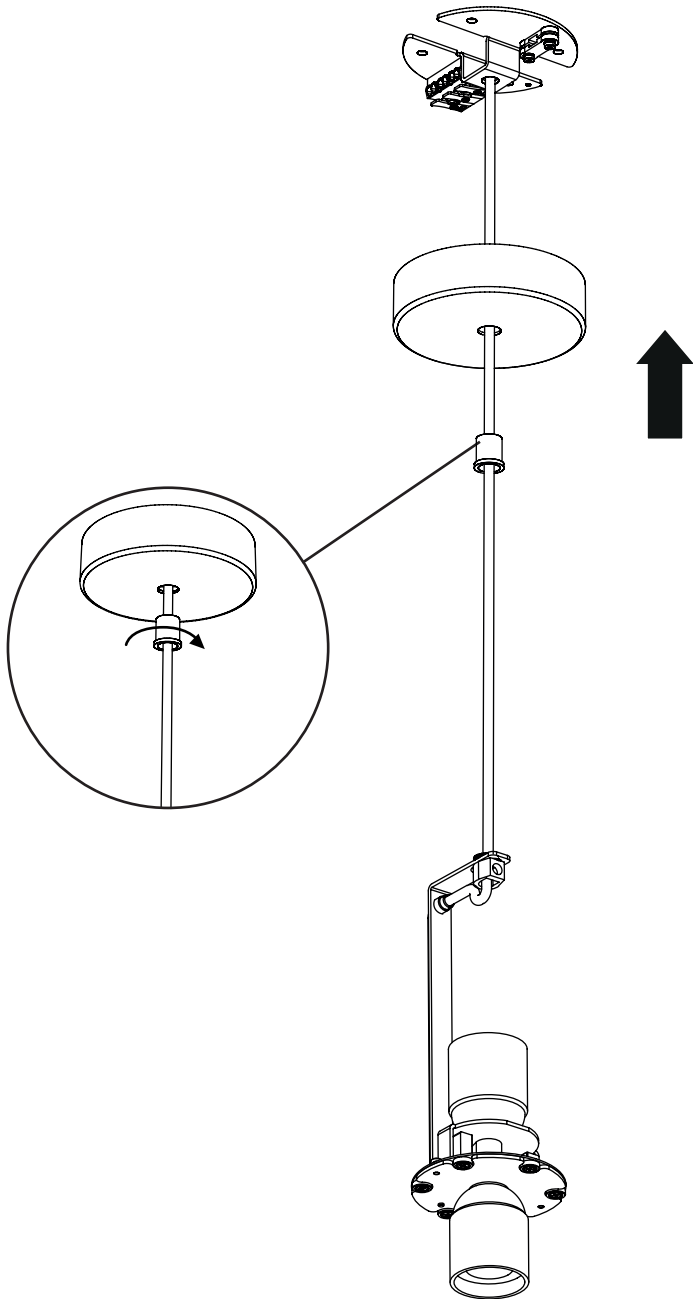
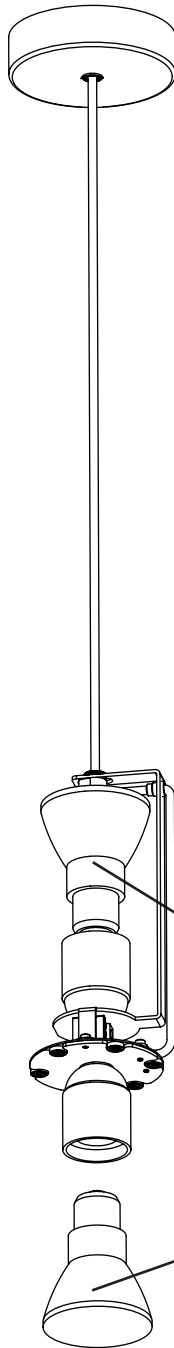


Fig. 7



<b>220 - 240 V / 50 - 60 Hz</b>	
<b>MAX 8W (E27)</b>	
LED: DRPAR	350 lm
LED: DRBP	470 lm
FLUO: FB	500 lm

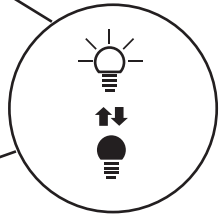
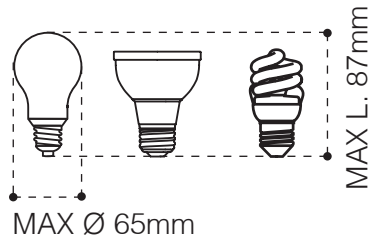


Fig. 8

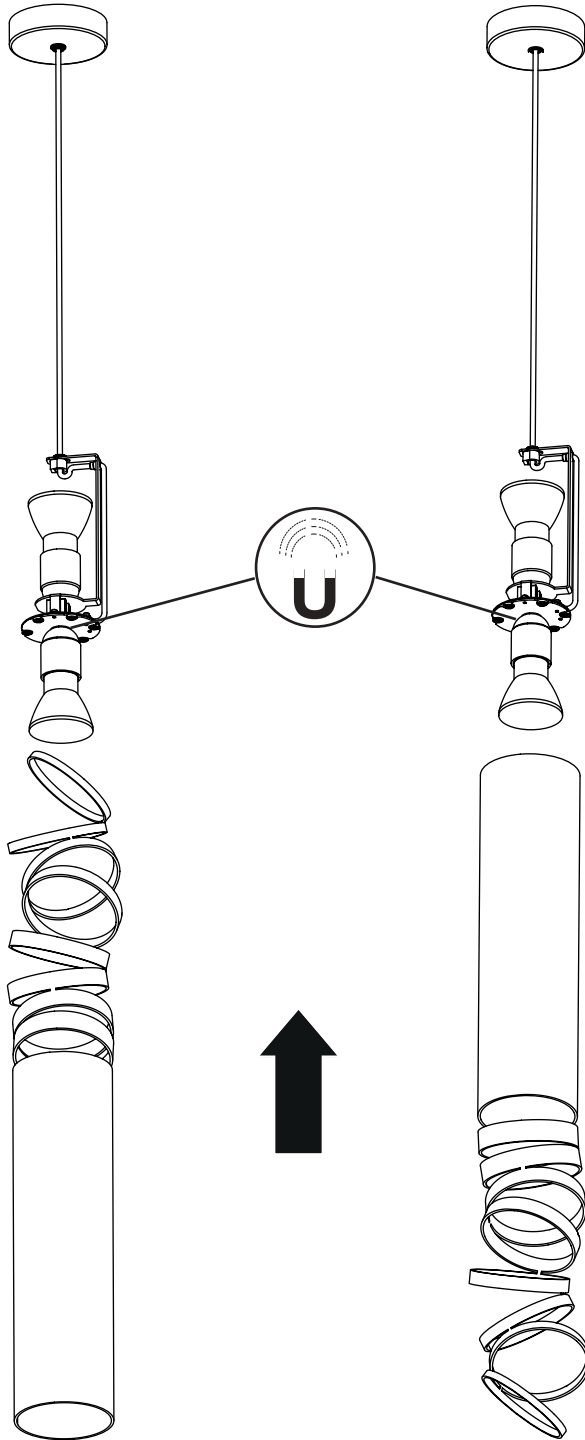
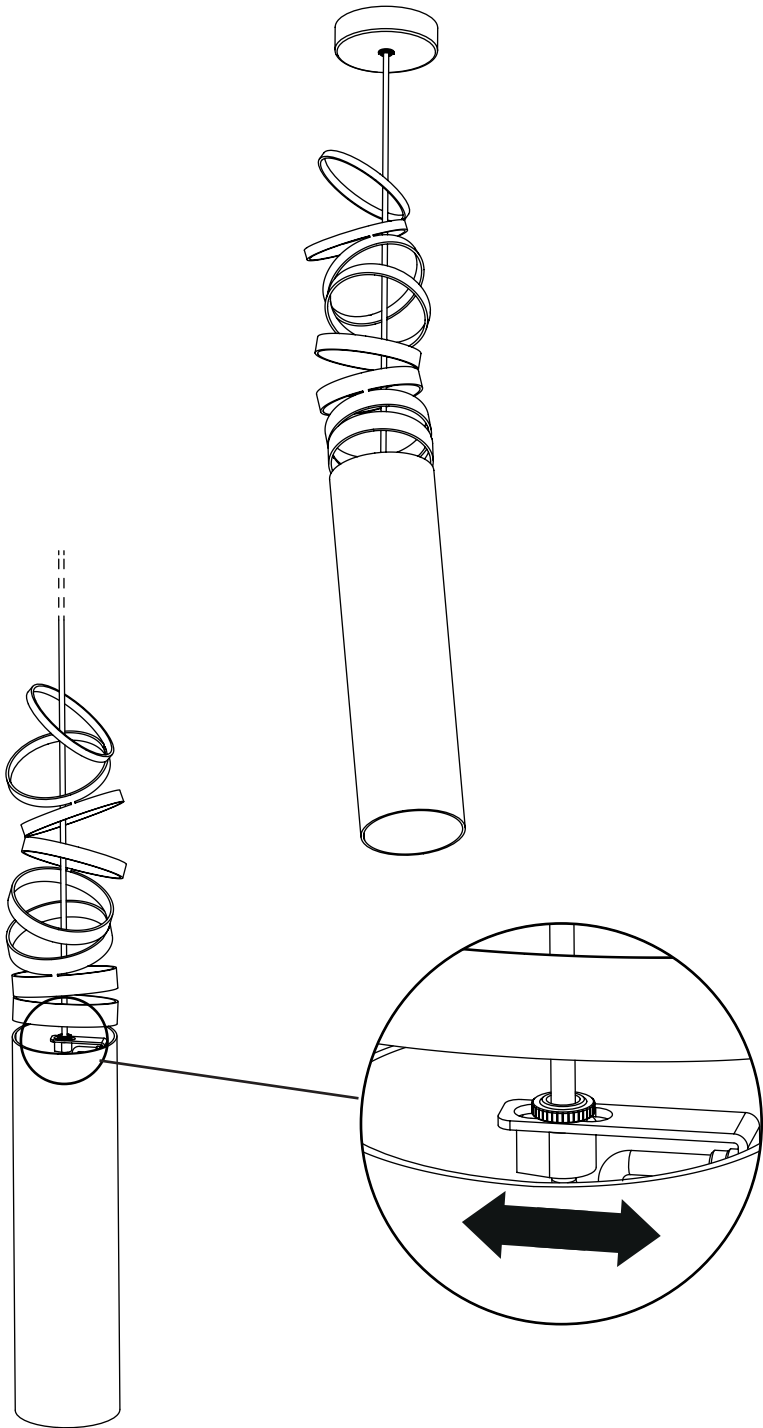


Fig.9





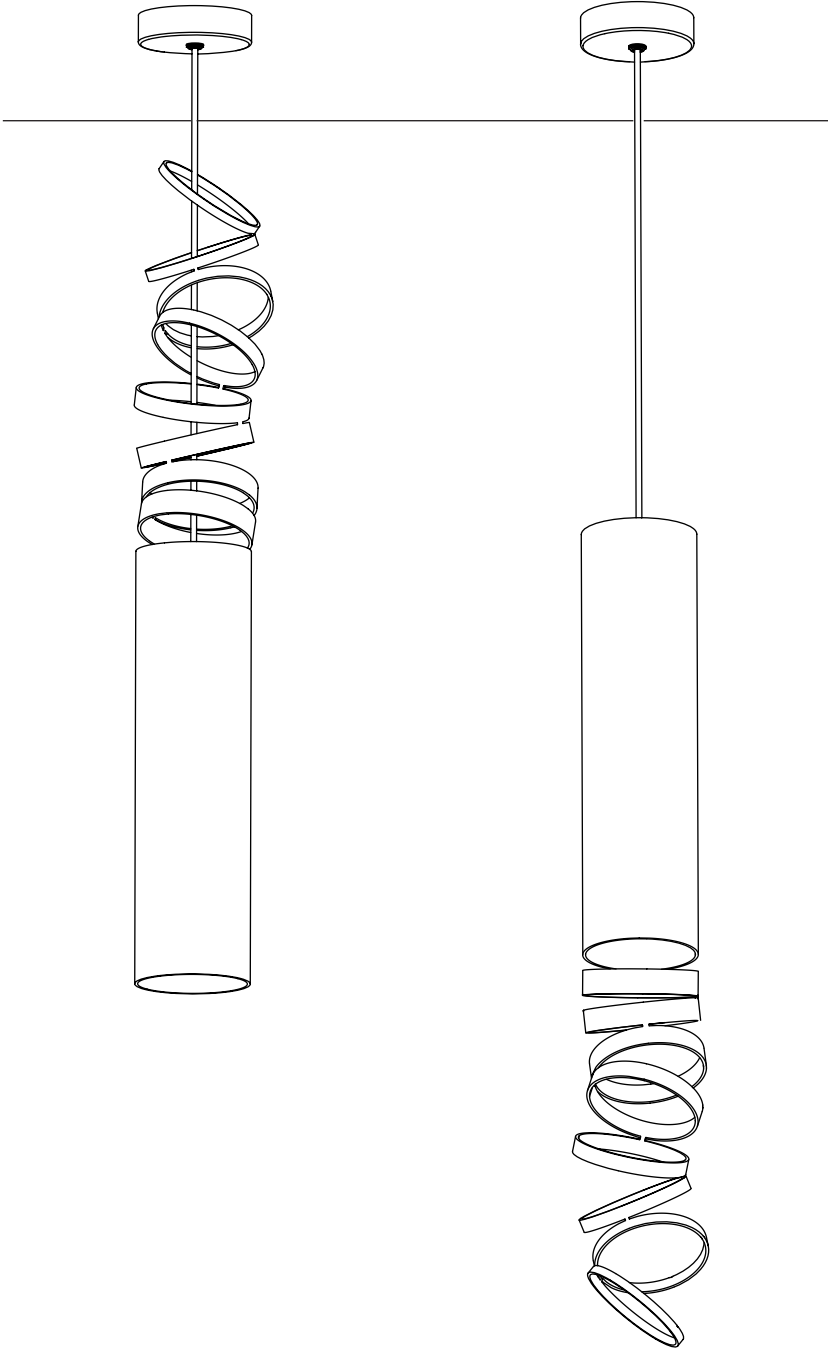
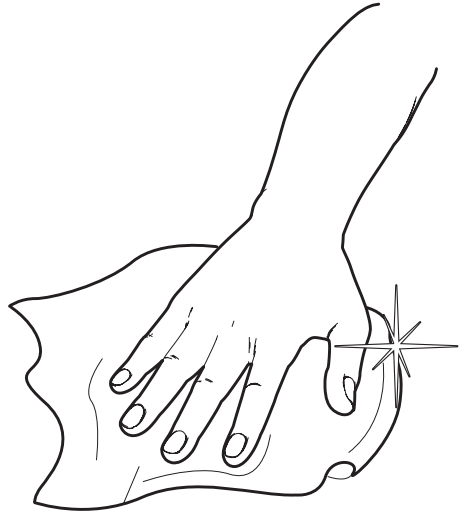
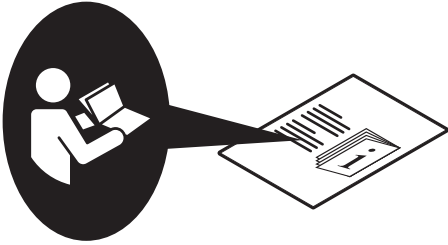


Fig. 10







## DANESE

---

VIA ANTONIO CANOVA 34

---

20145 MILANO

---

T. +39.02.349611

F. +39.02.34538211

info@danese milano.com

www.danese milano.com

## SHOWROOM

---

PIAZZA SAN NAZARO IN BROLO 15

---

20122 MILANO

---

T. +39.02.58304150

F. +39.02.58433350

showroomdanese@artemide.com

# DANESE



# MILANO | Artemide®

VIA BERGAMO 18

---

20010 PREGNANA MILANESE (MI) ITALY

---

T. +39.02.935181 - 935261

Numero Verde 800 834 093 (from Italy only)

© JUNE 2016 DANESE

---

DANESE reserves the right to change, at any time and without prior warning, the technical specification of any product illustrated in this instruction.

cod. Y513000543