

Important

The safety of this product can only be guaranteed if these instructions are observed, during both installation and use. We advise keeping these instructions.

If the product requires installation, it should be performed by a qualified electrician.

This luminaire must be connected to a grounding electrical system. Always turn off power to the system before starting installation work. Whenever acting on the luminaire (i.e. changing the light bulb), ensure that the power supply has been switched off.

Different materials require different types of fittings. Always choose screws and plugs that are best suited for the material on which you are installing the luminaire.

Warning

This product has been carefully handmade and due to the nature of such work please allow slight variations in the surface of the material.

Do not use force to assemble the lamp.

This product is for indoor use only. Do not immerse this product into water.

The light bulb is not included.

Never touch the light bulb when the luminaire is turned on, or shortly after it is turned off, because it can be hot and can cause burns. Do not touch the inner surfaces of the luminaire that may be hot.

Regularly check that there is no damage to cables and other parts.

If the external cable of this luminaire is damaged, it must be exclusively replaced by the manufacturer or its authorized service agent or similar qualified persons in order to avoid a hazard.

Grupa declines all responsibility for products that are modified without prior authorization.

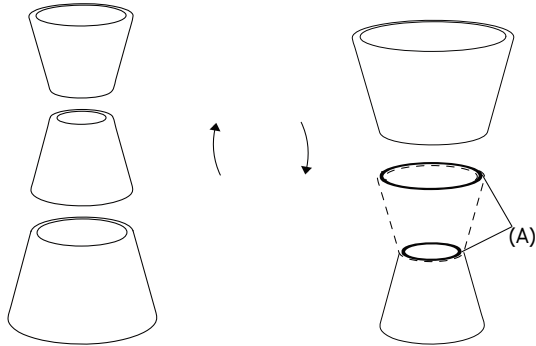
Environment

Do not throw this product in regular household trash but in a proper waste disposal that is suitable for similar electrical appliances.

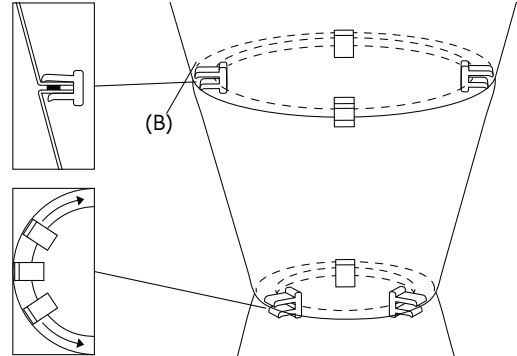
Cleaning

Powder-coated surfaces should be cleaned with aqueous solutions made from pH-neutral detergents or cleaning products and soft, non-abrasive cloths, rags or industrial cotton batting.

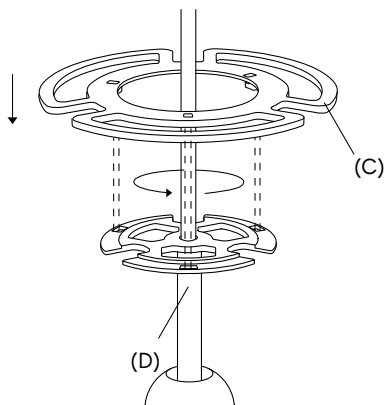
Always clean metal surfaces gently and without scrubbing so that the surface is not scratched. Never use cleaners containing granular substances, acetic acid or citric acid.



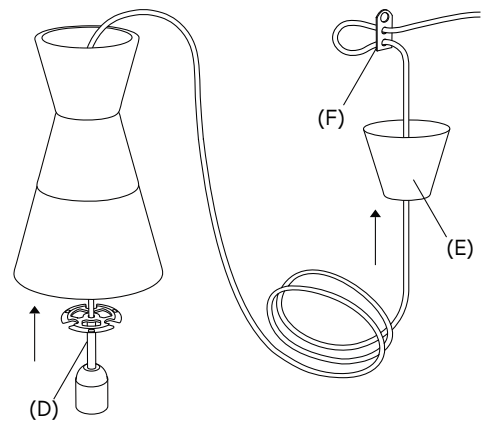
1. Set elements in order then turn them. Start by assembling top two elements first. Do not remove sealing rings (A).



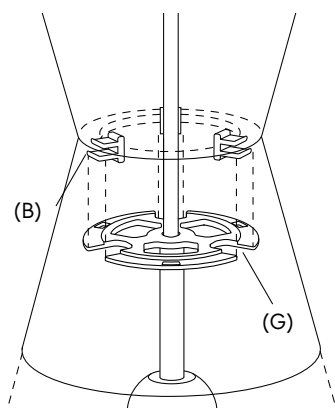
2. Connect the elements with clips (B) so the longer side of the clip is facing wider element. Insert other clips next to the first one and slide at equal distance. For smaller elements use 3, for bigger 4 clips.



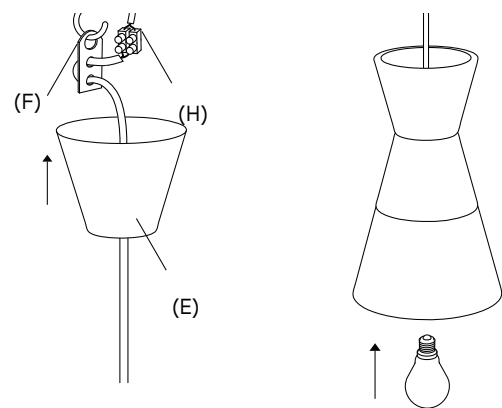
- (!) If included, pull the large ring (C) through the cable set (D). Position hooks above the holes and turn counterclockwise to secure.



3. Pull the cable set through the lamp. Afterwards, pull the cable through the ceiling cup (E) and cable adjuster (F).



4. Ensure the clips are positioned between the cutouts (G) of the ring in order for the lamp to be balanced.



5. Hang the cable adjuster on the ceiling hook (not included). Connect the cables with a terminal strip (H). Set the cup to the ceiling. Insert light bulb.