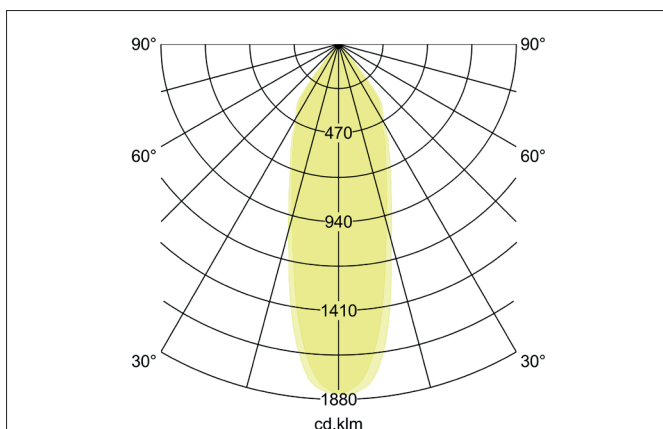
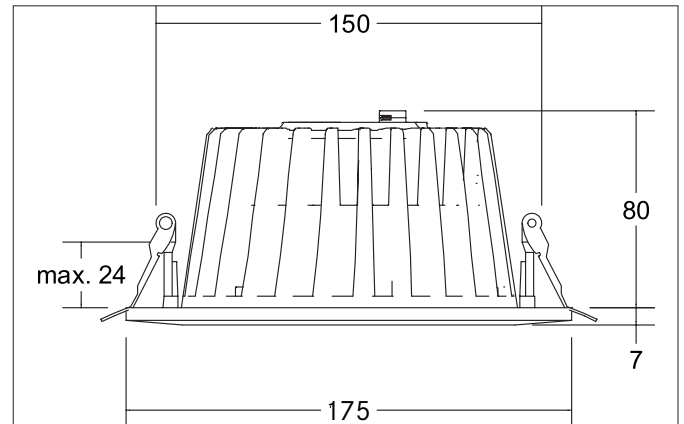


LYDON MIDI LED recessed downlight, DALI dimmable

Article no. 41553073

Light.
For Generations.**Tender**

LED recessed downlight, DALI dimmable, Round. Toolless ceiling installation by installation springs. Ceiling cut-out \varnothing 150 mm, Installation depth 80 mm, Outer diameter 172 mm, Weight 1,038 kg, Reflector silver with rotationssymmetrical, deep, wide distributed light intensity. optimal light distribution due to a glass transparent cover. Luminous flux 2.300 lm, UGR < 19, Power 1 x 30 W, Light colour warm white, Correlated color temprature (CCT) 3.000 K, Colour rendering index CRI > 80, Rated life time L70/B50 at 25 °C: 50.000 h, Housing material: Aluminium / Glass / Plastic, Colour: White, Permissible ambient temperature (ta): -20 °C - +25 °C, Protection class (EN 61140): II, Degree of protection (DIN EN 60529): IP20, .With electronic driver, DALI-2 dimmable.

Product Benefits

- Round recessed downlight made of massive aluminum with clear glass cover.
- Easy and tool-free installation.
- CRI > 80, UGR < 19.
- Low installation depth of 80 mm - Diameter of 172 mm, ceiling cut-out 150 mm.
- Ceiling thickness max. 24 mm.
- Delivery with dimmable driver (DALI) and 5-pole connection box with strain relief.

LYDON MIDI LED recessed downlight, DALI dimmable

Article no. 41553073

Light.
For Generations.

Article data	
Article no.	41553073
GTIN	4251433939276
Series name	LYDON MIDI
Short description	LED recessed downlight, DALI dimmable
Material	Aluminium / Glass / Plastic
Colour	White
Type of surface	Matt
Shape	Round
Outer diameter	172 mm
Built-in diameter	150 mm
Installation depth	80 mm
Hight	7 mm
Scope of delivery	Incl. converter for connection to 230 V mains voltage, DALI-2 dimmable and connection box
Weight	1.038 kg

Lighting technology	
Colour temperature	3.000 K
Light output	Direct
Luminous flux	2,300 lm
System efficiency	77 lm/W
Colour rendering	CRI > 80
Reflector	Glossy
Reflektorfarbe	silver
Beam angle	40°
Glare evaluation	UGR < 19
Light sharing	Symmetric
Adjustable color temperature	No

Operating technology of the luminaire

Mounting technology	
Mounting method	Recessed mounting
Place of installation	Ceiling-mounted
Adjustability	Not adjustable
Max. ceiling thickness	24 mm
Further references	No cover with thermal insulation material
Material cover	Glass transparent
Suitable for through-wiring	Yes

Packing data	
Gross weight	1.253 kg
Length of packaging	260 mm
Packaging width	190 mm
Packaging hight	130 mm
Disposal at end of life	This product must not be disposed of with household waste. You are obliged, to dispose of such electrical waste separately. By disposing of electrical waste and other old or defective electronics separately, you support recycling or other forms of re-use. In that way you help to take care and to avoid that harmful substances get into the environment.