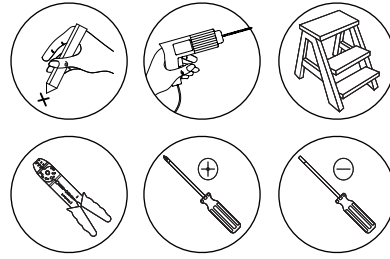
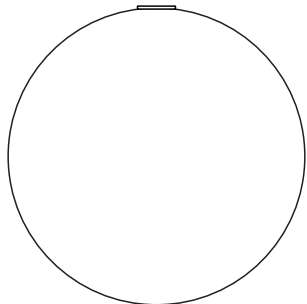
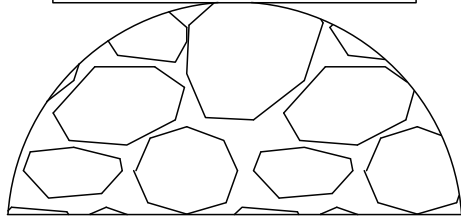
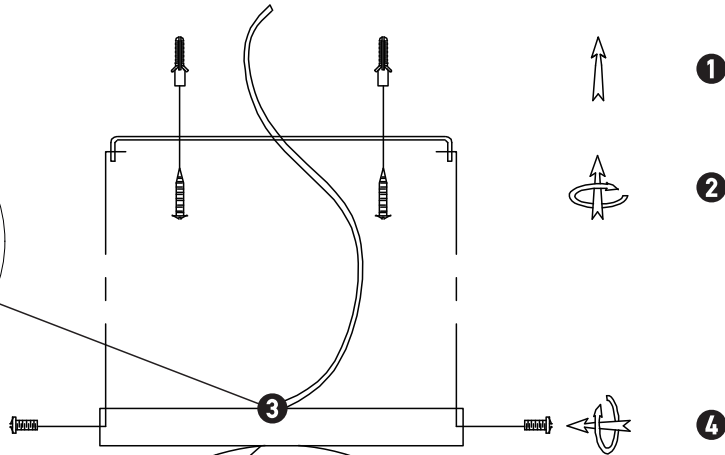
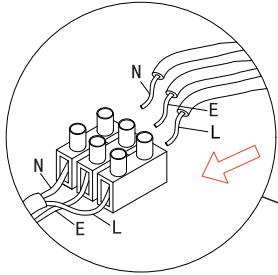


Connecting the Terminal Block

Connect main supply (**brown - Live, blue - Neutral**) into terminal block making sure all connections are tight.



1

2

4

5

6

INDOOR CEILING-WALL LIGHT 25418

Please read instructions before commencing installation and retain for future reference.

SPECIFICATIONS

- **Lamp Type:** 1x G9 | 5W MAX
- **Material:** Stone | Wood | Opal Glass
- **Ingress Protection:** IP20 Protection against entry of solid objects greater than 12mm in diameter.

INSTALLATION INSTRUCTIONS

- ⚠** Electrical products can cause death, injury, or property damage. Maintenance and installation should only be carried out by a professional electrician.
- Ensure the main supply is switched off.
 - Install the mounting anchors on the ceiling (1).
 - Fix the mounting bracket using M4 self-tapping screws. (2).
 - Connect the positive and negative ground wires, and connect the power cord.(3) Making sure all connections are tight.
 - Fix the ceiling plate to the mounting bracket using the screws (4)
 - Install G9 lamp into the lampholder (5).
 - Fix the opal glass by screwing it into the stone (6).
 - Reconnect power.

WARNING

- ⚠** Make sure that the products are installed properly before connecting to electricity. Do not cover the luminaire. Do not exceed the maximum wattage rating of the lamp. If the light source is contained in this luminaire (integrated LED), it shall only be replaced by the manufacturer, his service agent, or a similarly qualified person.

