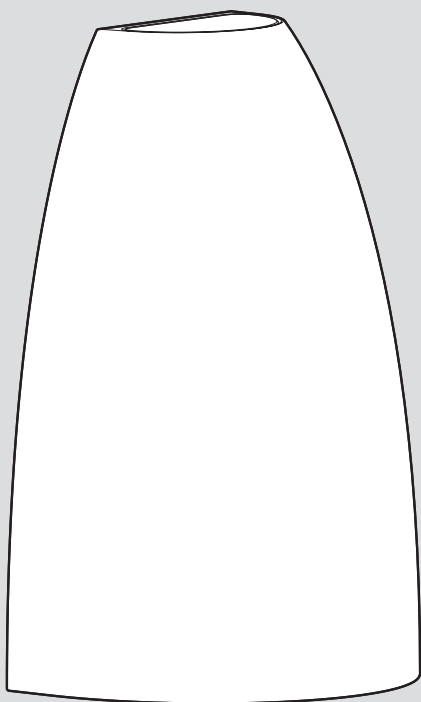


Artemide®

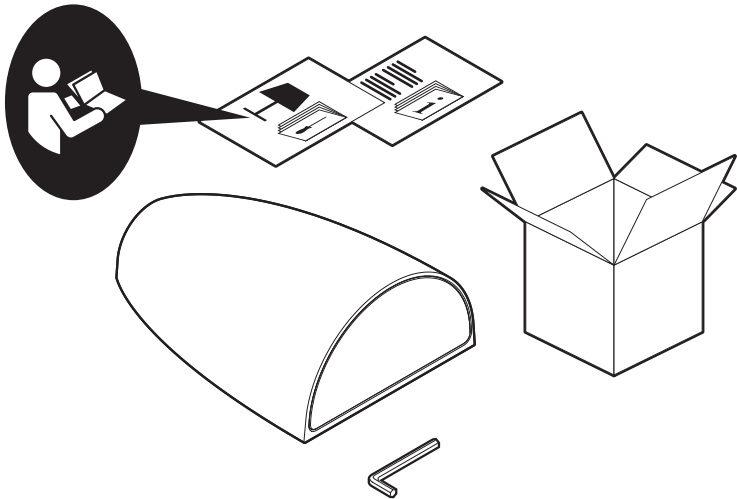
Molla

design
Ernesto Gismondi

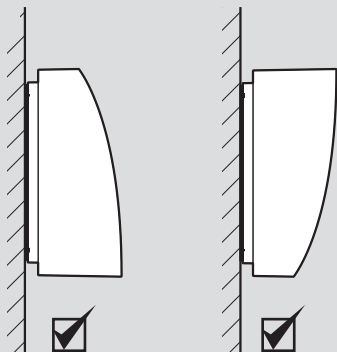




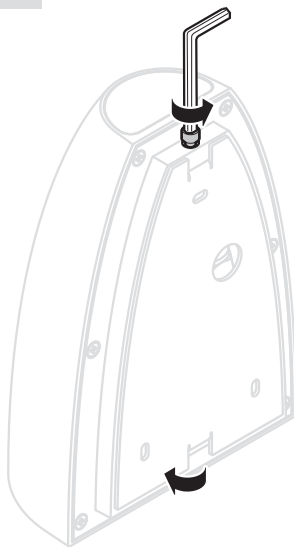
i



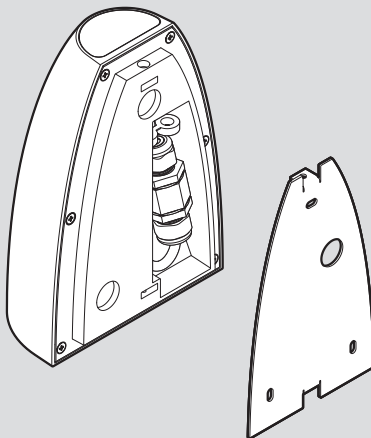
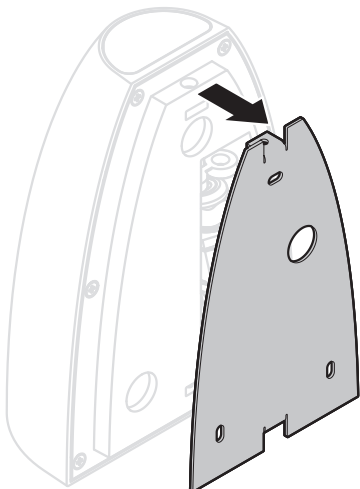
i

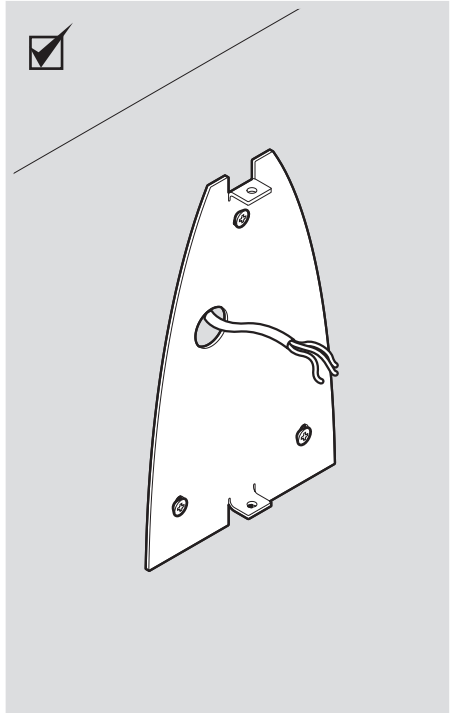
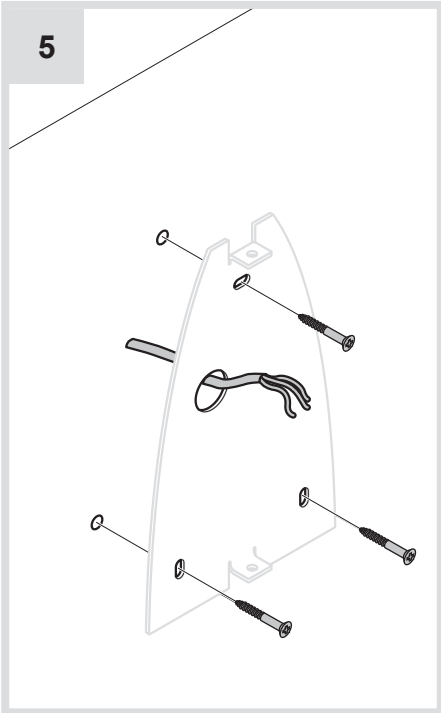
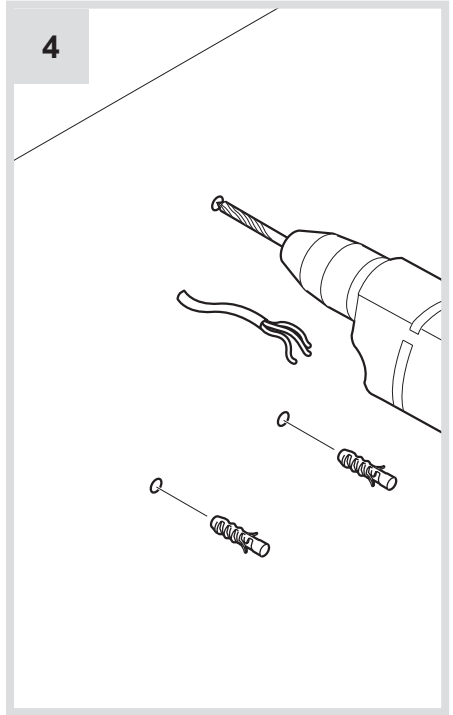
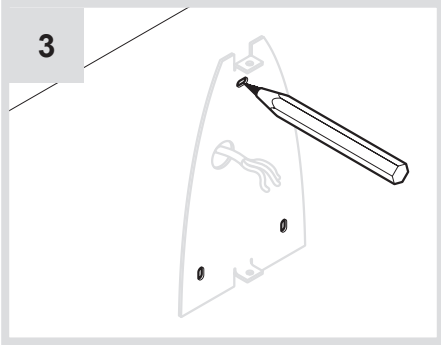
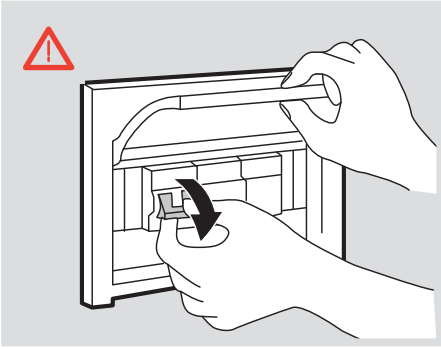


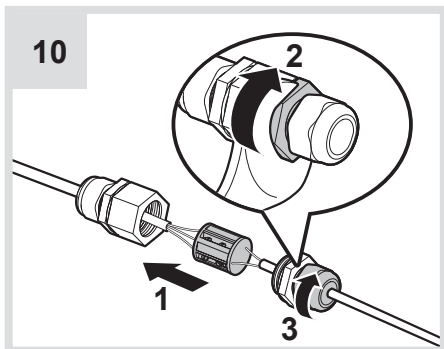
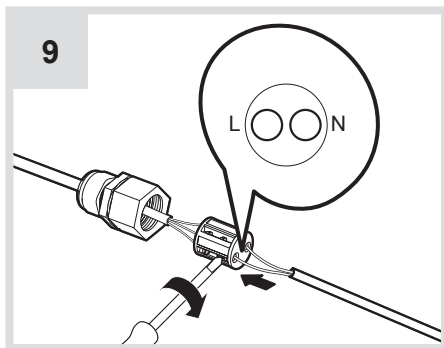
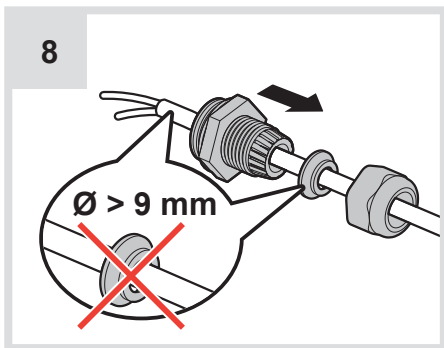
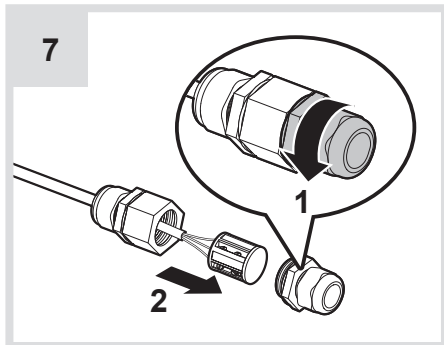
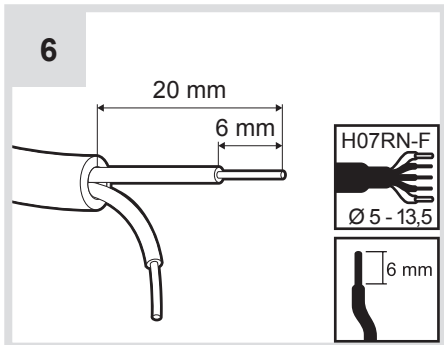
1



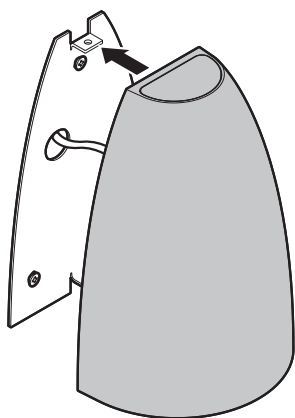
2



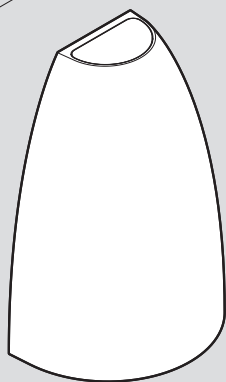
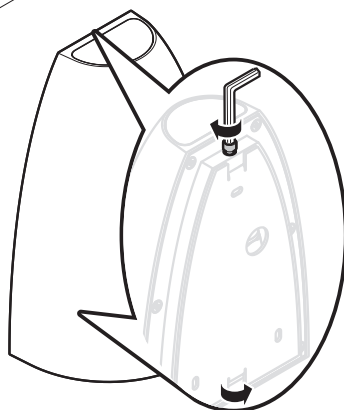




11



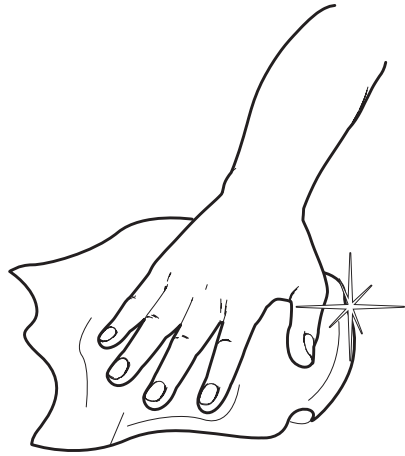
12



i



1



Artemide®



Artemide

via Bergamo, 18
20010 Pregnana M.se (MI)
ITALIA

tel. +39 02 935 181
fax +39 02 935 90 254
fax +39 02 935 90 496

www.artemide.com

VAT IT00846890150

cod. Y513000033