

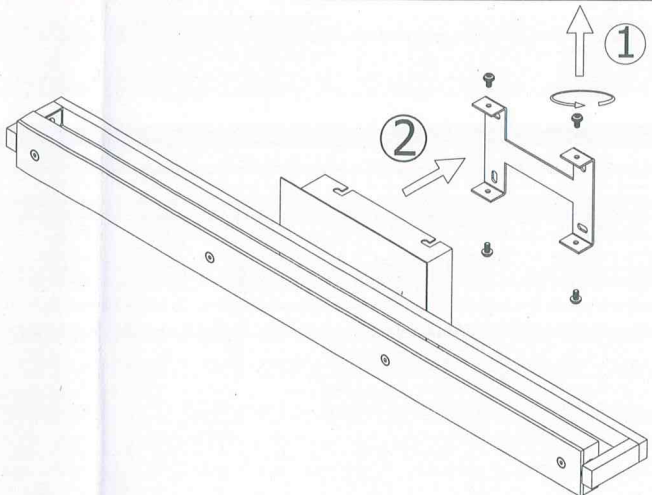
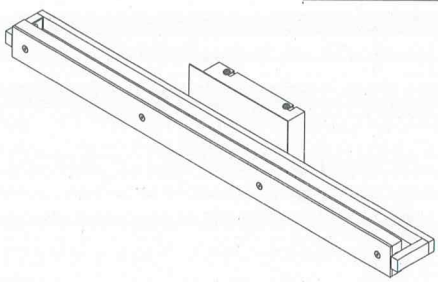
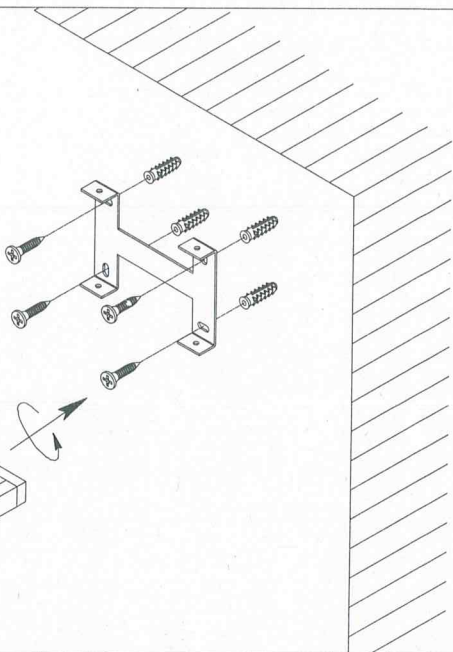
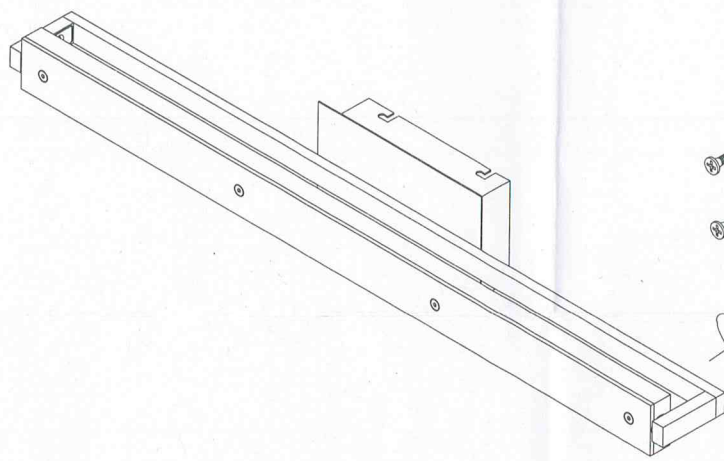


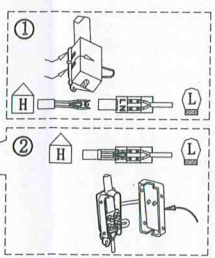
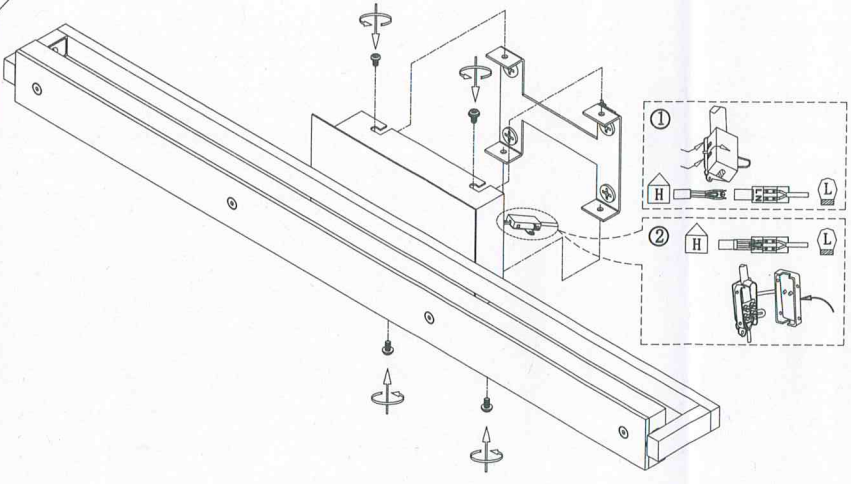
-  x 4 **1**
-  x 4



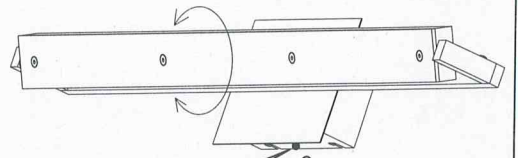
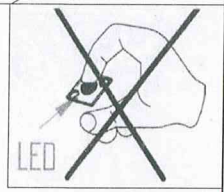
2






3



4



- 1. < 2 sec.
-  2700K
-  3350K
-  4000K
- 2. > 2 sec.
- 