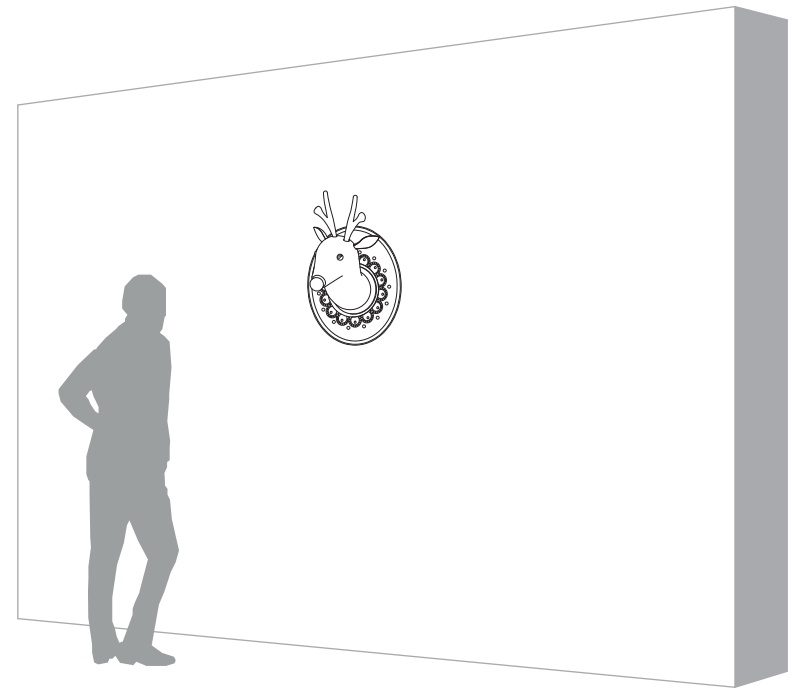


# MARNÌN

AP645M



**220-240 V.**  
**max 1x70W - E27**

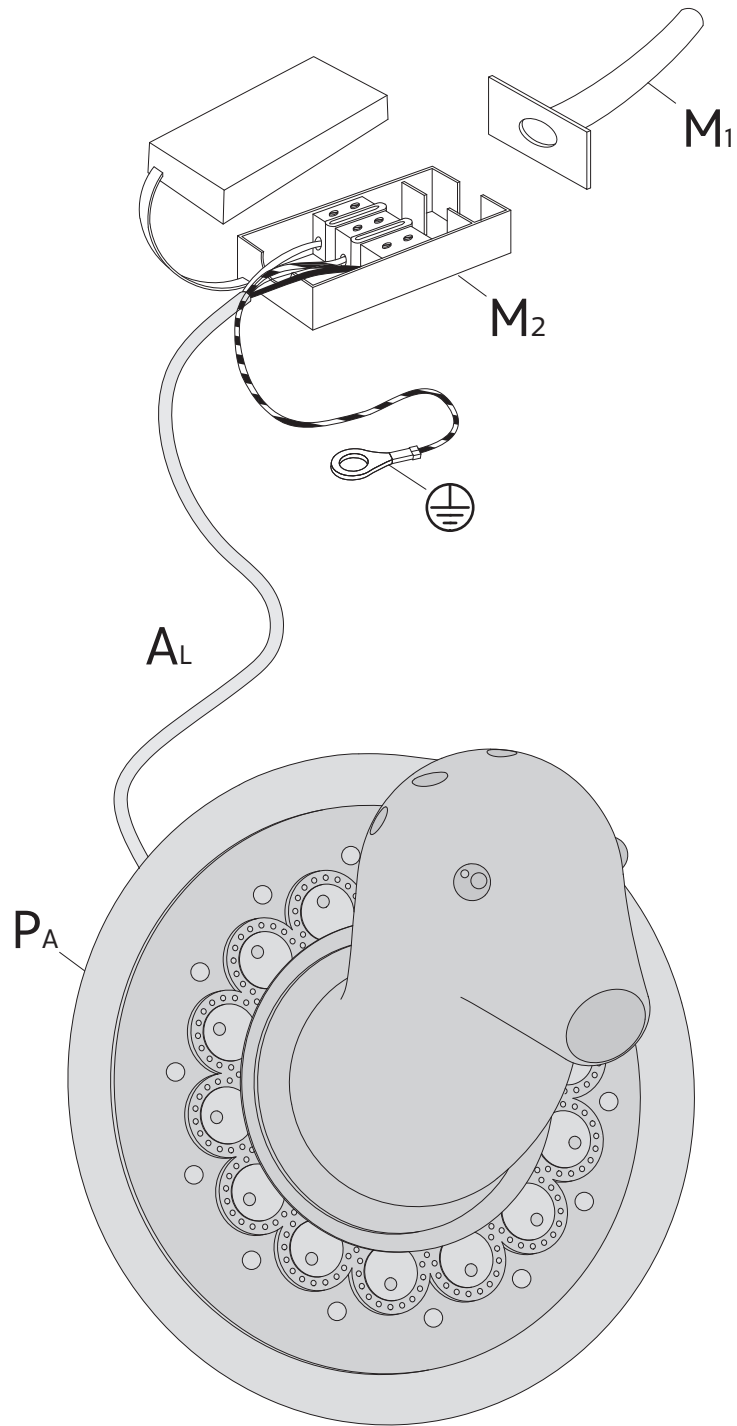


Karman srl

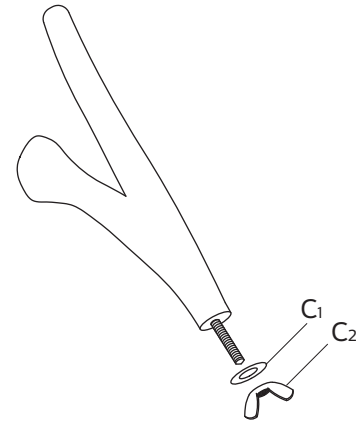
Via A. Grandi, San Martino del piano, 61034 Fossombrone (PU), Italy - p.iva 02175640412 tel +39 0721 71 5042 r.a fax +39 0721 716640 - [www.karmanitalia.it](http://www.karmanitalia.it)



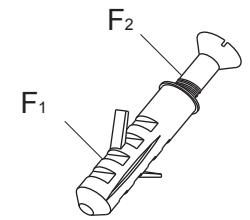
# C - 01



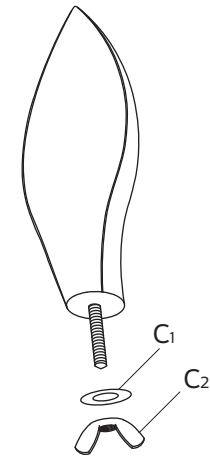
2x C



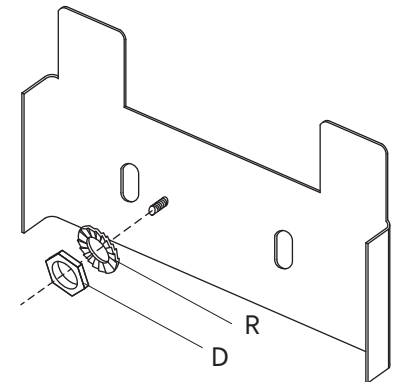
2x F

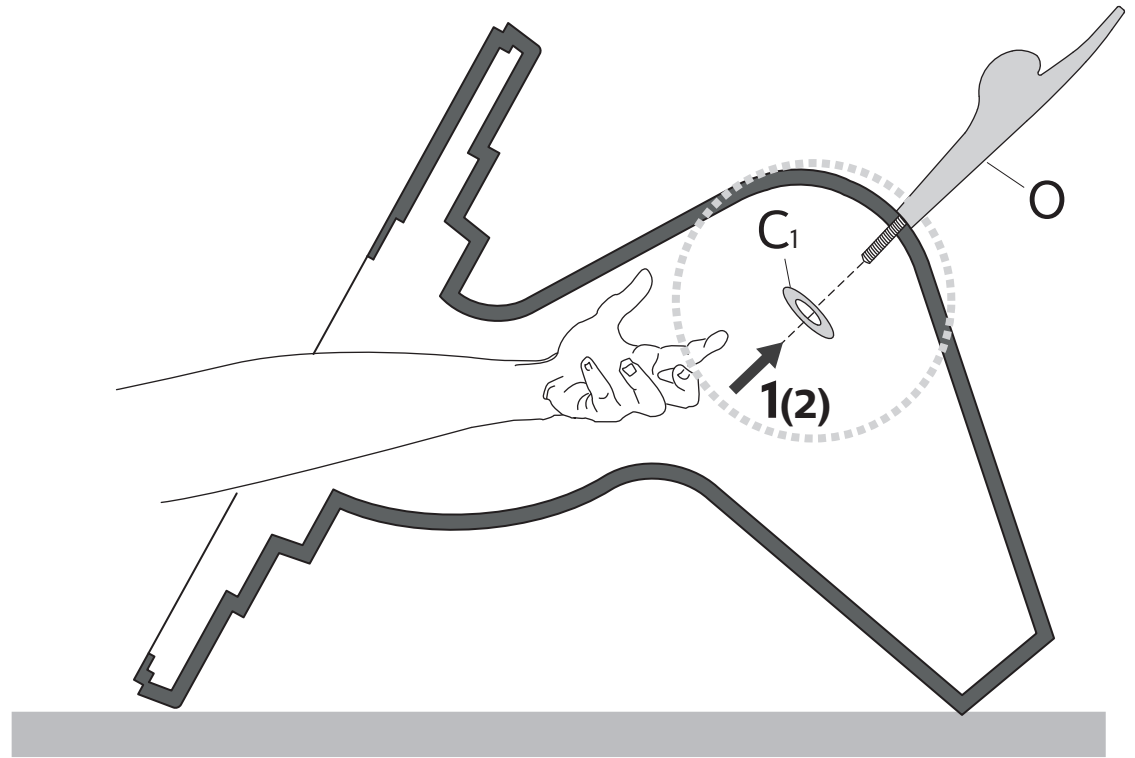
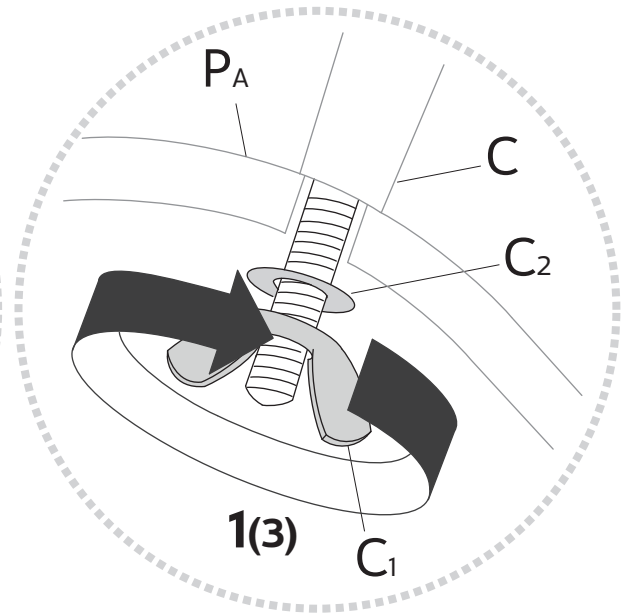
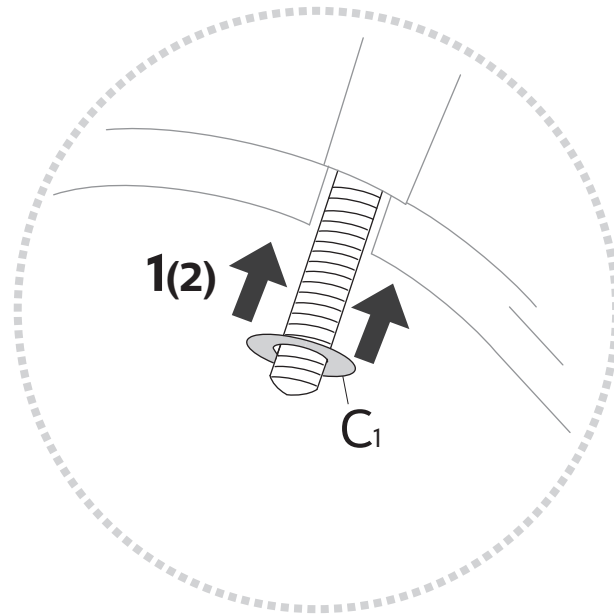
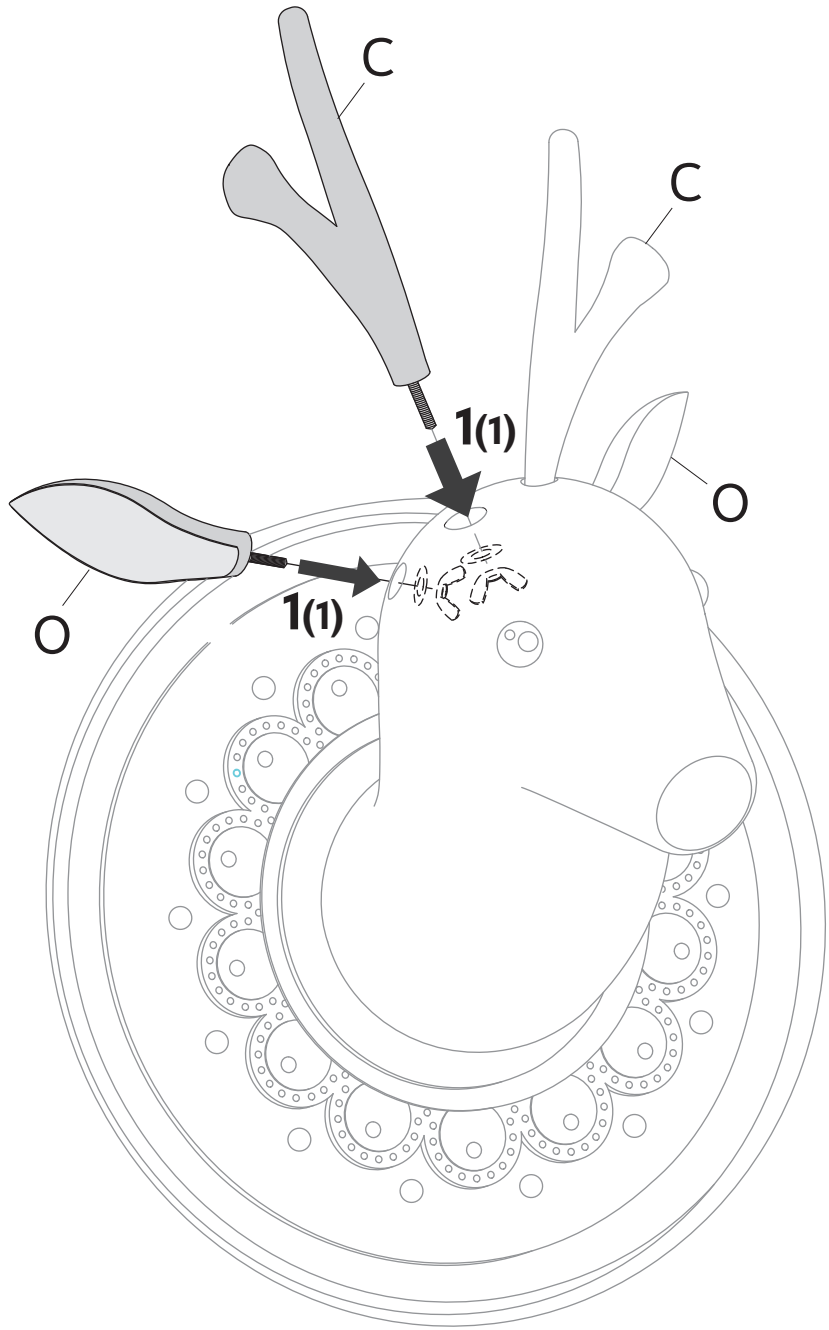


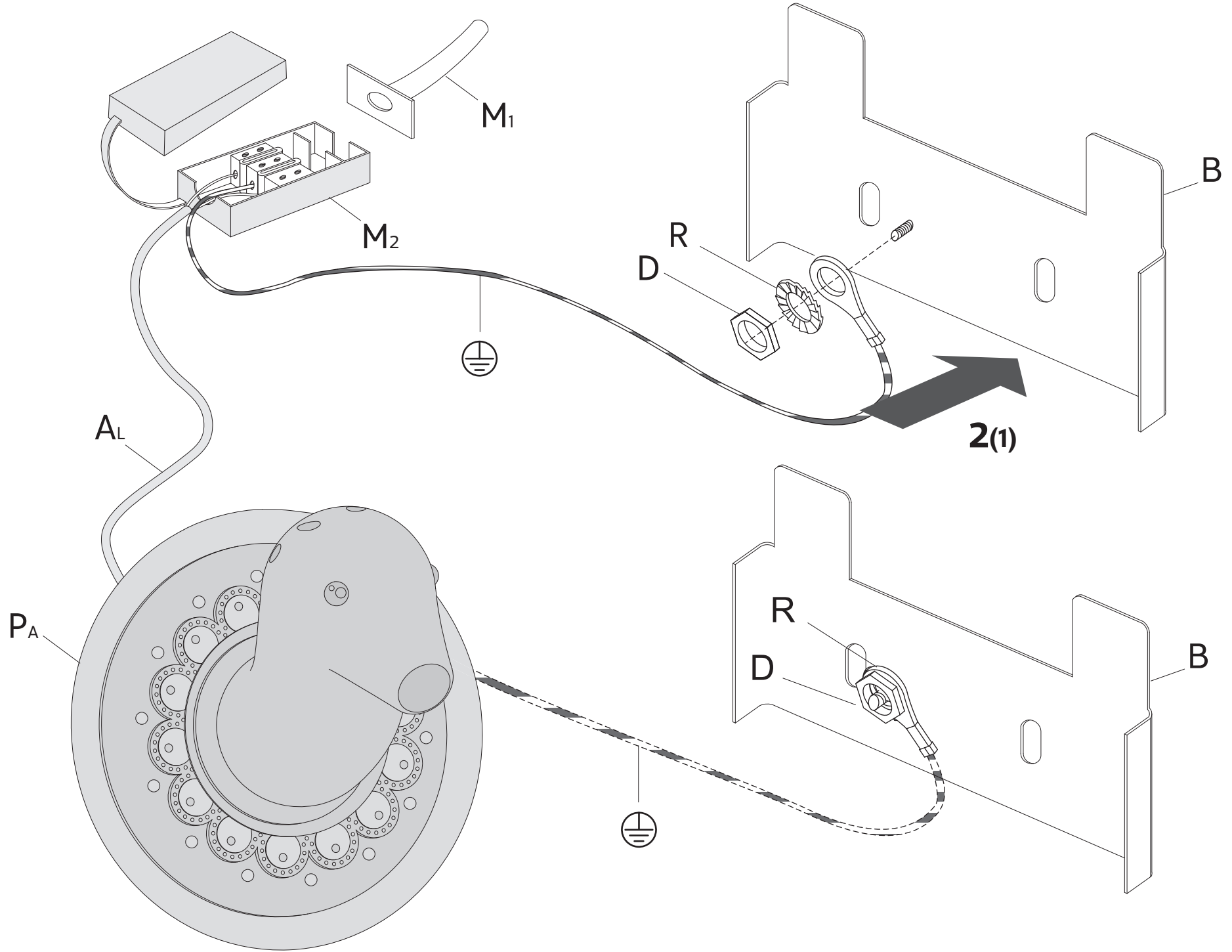
1x O

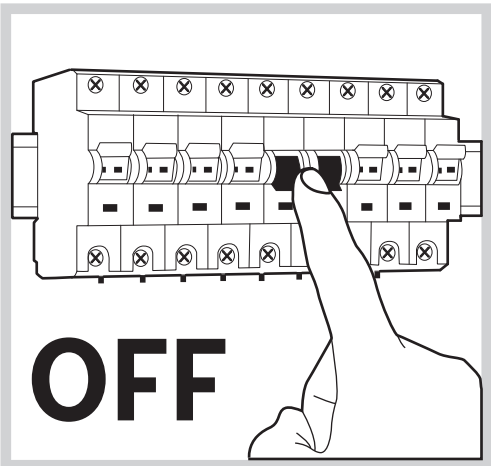
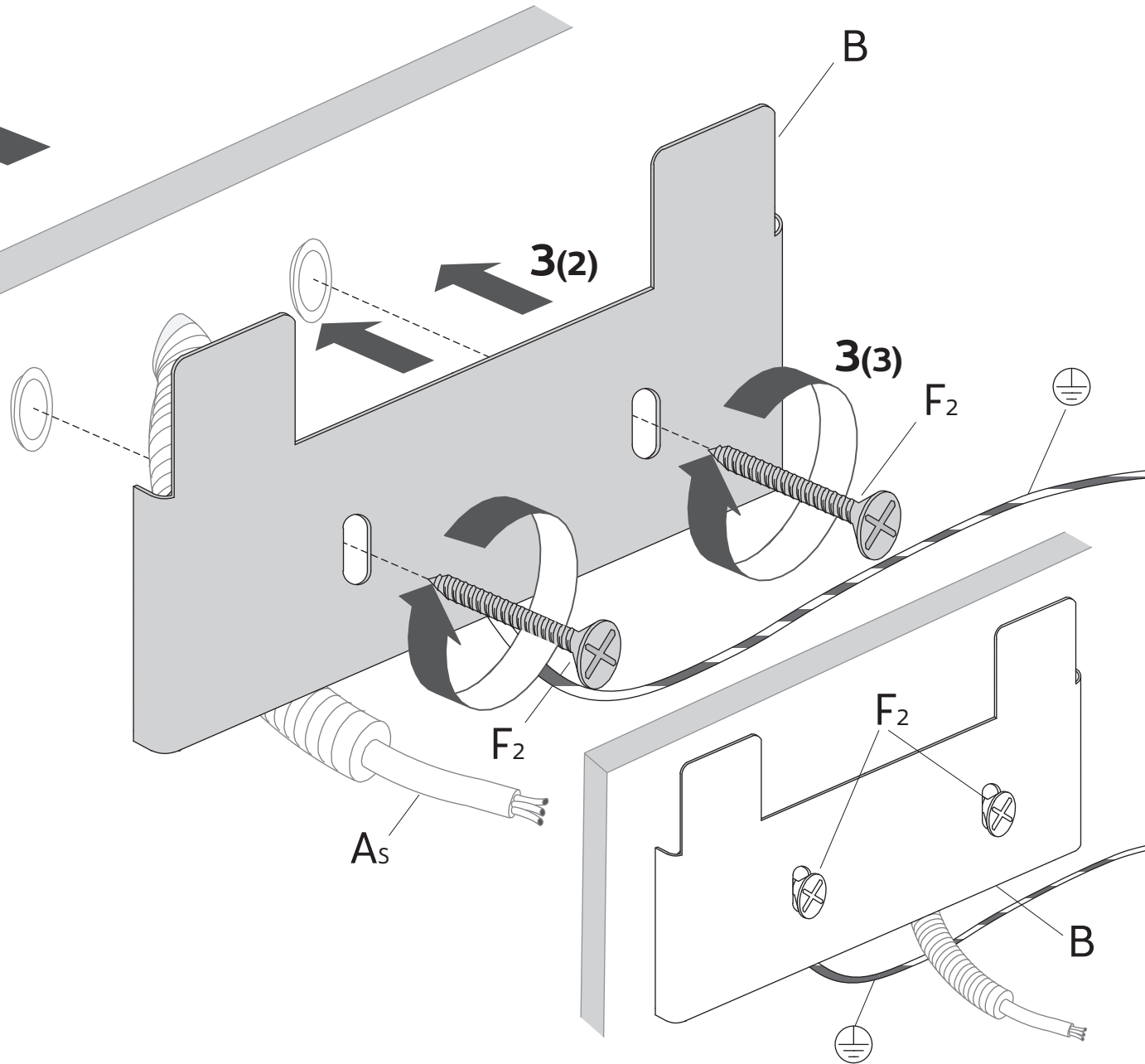
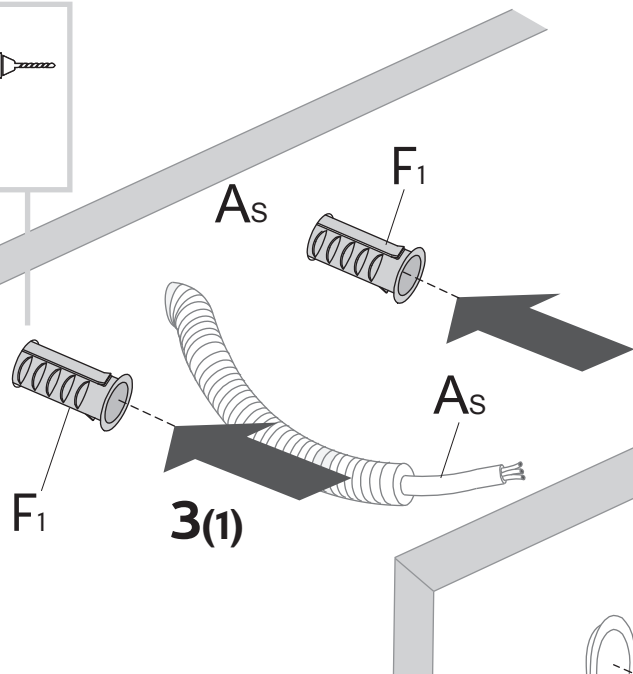
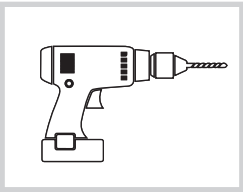


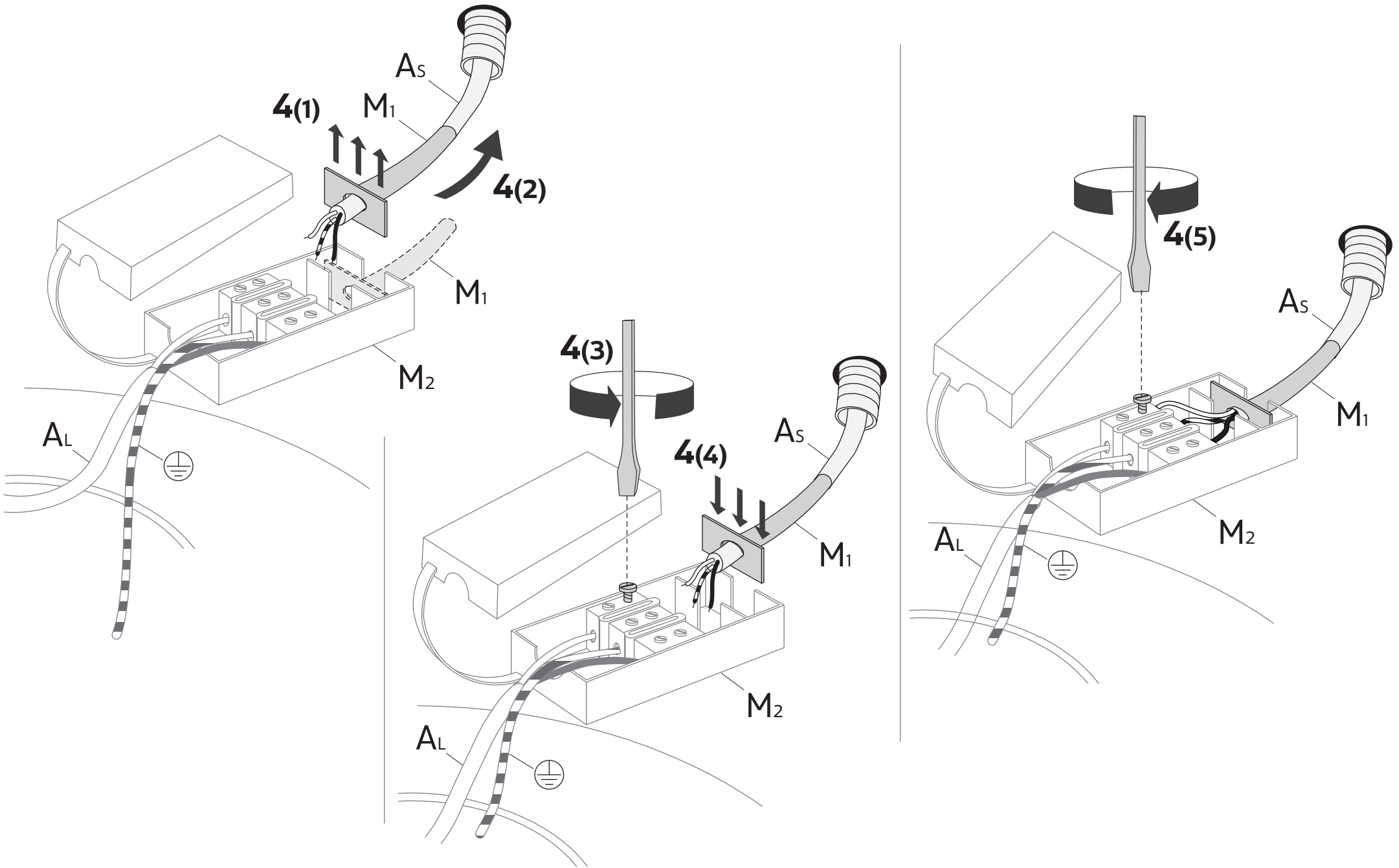
1x B

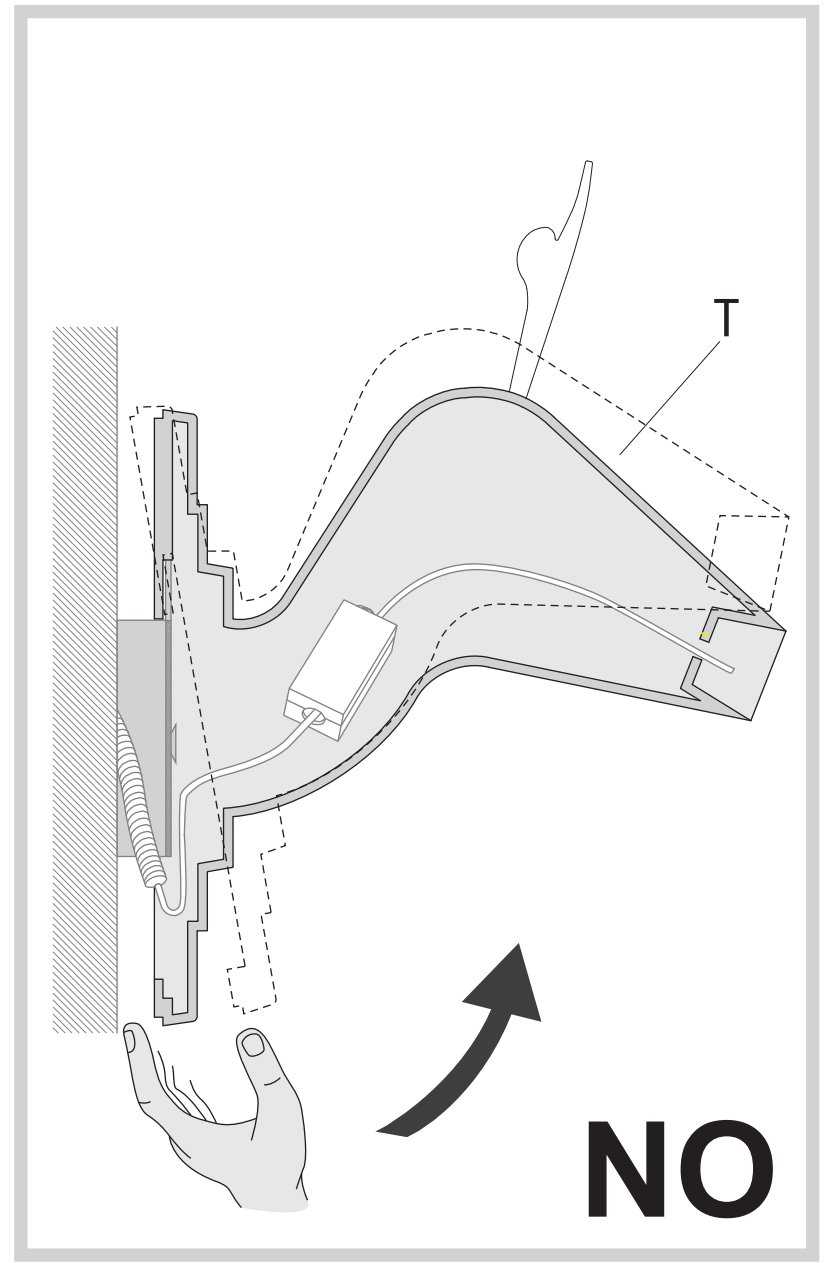
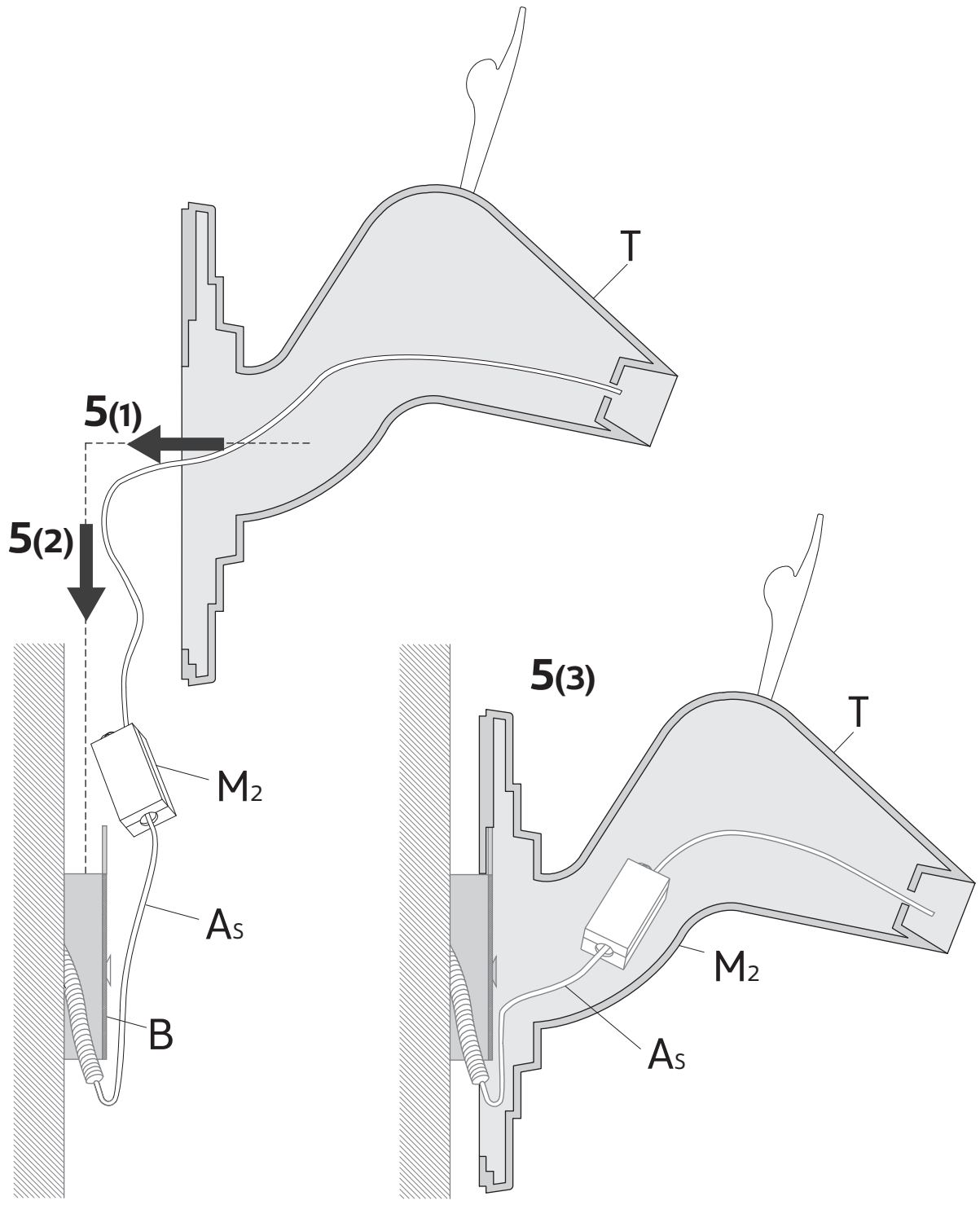












**NO**



