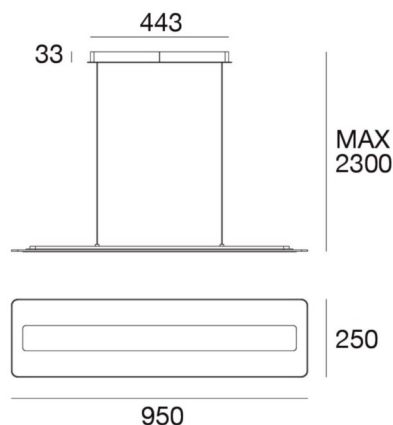




Pendelleuchte | 220-240 V
136 stripLED 45 W DC - 45 W AC | CRI 80
8939



Technische Daten	
Jahr der Verwirklichung	2019
Installationsposition	Decke
Installationsumgebung	Indoor
Lichtquelle	LED
Optik	General Lighting
Light emission direction	downward and upward
Lampenleistung	45 W
Lichtstrom (Lichtquelle)	5957 lm
Frequency	60 - 50 Hz
Ähnlichste Farbtemperatur / Tone	3000 K
Farbwiedergabeindex	80 Ra
Gleichstrom/Gleichspannung	AC
Isolierklasse	1
IP	IP20
Glühdrahtprüfung	650°
Direkte Montage auf normal entflammaren Oberflächen	Ja
CE	Ja
Einschließlich Driver	Driver
Leuchte dimmbar	Nein
Schwenkbarkeit	Nein
Drehbarkeit	Nein
Begehbarkeit	Nein
Überrollbarkeit	Nein
Einschließlich Kabel	Ja
Kabellänge	2.3 m
Harzbeschichtung	Nein
Typ Lichtabstrahlung	Zweiflammig
Nettogewicht	5,5 Kg
Schutz vor elektrostatischen Entladungen	Nein
Schutz vor Stoßspannungen	Nein

Oberfläche Gehäuse	
Material	Eisen
Farbe	Gold
Bearbeitungstyp	Tampongalvanisieren

Oberfläche Diffusor	
Material	Glas
Farbe	transparent
Bearbeitungstyp	Sandstrahlen

Oberfläche Fassung	
Material	Eisen
Farbe	Weiß geprägtem RAL 9003
Bearbeitungstyp	Pulverbeschichtung

Pendelleuchte | 220-240 V | 136 stripLED 45 W DC - 45 W AC | CRI 80
8939

Double emission pendant luminaires for indoor application. The warm white LED light source with a general lighting light distribution is composed of 136 stripLEDs with CCT of 3000 K and a CRI 80; the source luminous flux is 5957 lm, with a 132.4 lm/W nominal luminous efficacy.

The device body is made of iron and features a gold finish, processed by means of electroplating; the diffuser is made of glass with a sandblasting treatment; the mounting frame is made of iron, with a embossed white ral 9003 finish, processed by means of powder coating. The ingress protection degree is IP20; the total weight is of 5,5 kg.

The total absorbed power is 45 W. The power supply cable is included and features a 2.3 m length.

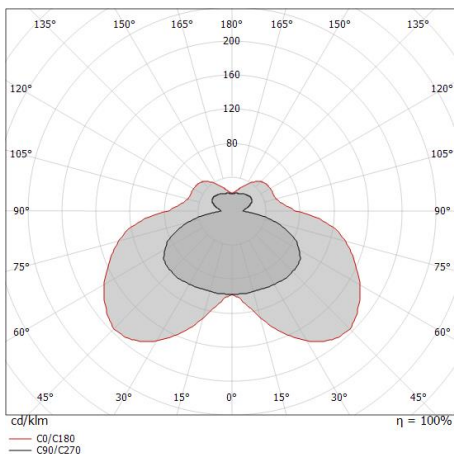
The device features protection class I and can be ceiling-mounted.

Compliant with the EN 60598-1 standard and its specific provisions.

Illuminotechnical Eigenschaften	
Light Output Ratio (LOR)	71 %
Lichtstrom (Lichtquelle)	5957 lm
Leuchten Lichtstrom	4278 lm
Consumption	45 W
Leuchten Lichtausbeute	95 lm/W
Farbtemperatur	3000 K
Standard Deviation of Colour Matching	3 Step MacAdam
Farbwiedergabeindex	80 Ra
Verbindungstemperatur (Leuchte)	80
Standardumgebungstemperatur	25
LED Life / Failure Ratio	
L70 B20 C0 72.5h	

UGR	
UGR axial	< 22
UGR transversal	< 28
X=4H Y=8H	S=0.25H
Reflection factor	70/50/20

OPTICAL	
Light distribution simmetry	Symmetrical 2
Optik C0/C180	172°
Optik C90/C270	154°



Distance [m]	Cone diameter [m]	Illuminance [lx]	E(0°)	E(C90)	E(C0)
0.5	4.26 13.95	1675 10 1	76.8°	85.9°	85.9°
1.0	8.53 27.90	419 3 0	76.8°	85.9°	85.9°
1.5	12.79 41.85	186 1 0	76.8°	85.9°	85.9°
2.0	17.05 55.80	105 1 0	76.8°	85.9°	85.9°
2.5	21.32 69.75	67 0 0	76.8°	85.9°	85.9°
3.0	25.58 83.70	47 0 0	76.8°	85.9°	85.9°

Distance [m] Cone diameter [m] Illuminance [lx]

— C0/C180 (Half-peak divergence: 171.8°)
— C90/C270 (Half-peak divergence: 153.6°)