

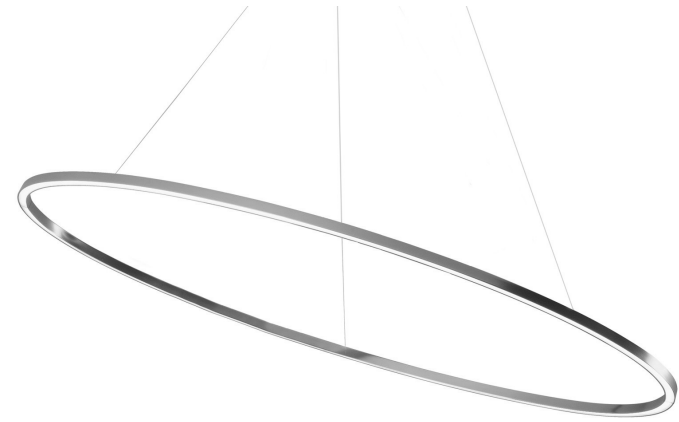
# ELLISSE PENDANT MAJOR

*Federico Palazzari*

Sammlung von LED-Pendel- und Steh- / Wandleuchten, erhältlich in verschiedenen Ausführungen: Major, Minor, Double, Triple und Mega, für direktes oder indirektes diffuses Licht. Hergestellt aus stranggepresstem Aluminium in mattem Weiß, mattem Schwarz, gebürstetem Aluminium, poliertem eloxiertem Gold oder lackiertem Gold. Diffusor aus opalem Methacrylat.

Ellisse wird durch eine Technologie realisiert, die von Nemo für die Kopplung der Profile entwickelt wurde.

Die Major-Version ist auch vom Boden und von der Wand aus erhältlich, mit einem Sockel aus schwarzem Marmor für die Bodenversion und einem Wandbefestigungszubehör für die Wandversion.



## DOWNLIGHT 2700K

---

### LAMPING

|                   |  |
|-------------------|--|
| Source            | linear LED   |
| Total power       | 66W  |
| Emission          | diffused orientable  |
| Switching         | dimnable 1-10V   |
| Tension           | 110/240V   |
| Color temperature | 2700K  |
| Luminous flux     | 3450lm   |
| Typ cri           | 85   |
| Energy class      | A+   |
| Materials         | Aluminium  |
| Notes             | adjustable cable length from 2,5m to 0,4m, DALI version on request |

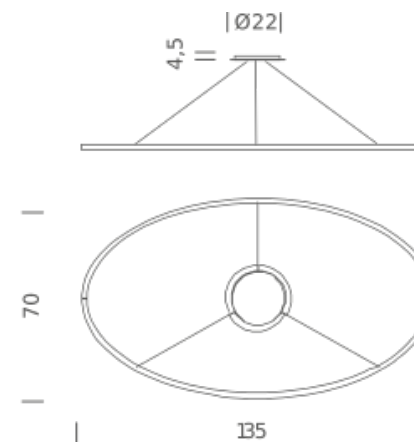
### Codes

|            |                              |
|------------|------------------------------|
| ELP LW2 54 | white/white                  |
| ELP LN2 54 | black/white                  |
| ELP LO2 54 | gold painted/white           |
| ELP LL2 54 | polished aluminium/white     |
| ELP LGW 54 | gold polished anodized/white |

### PACKAGE

|            |  |
|------------|--|
| Package 01 | Dimension: 15x80x150 cm / Gross weight: 7,5 kg |
|------------|--|

### Certificazioni



## DOWNLIGHT 3000K

---

### LAMPING

|                   |  |
|-------------------|--|
| Source            | linear LED   |
| Total power       | 66W  |
| Emission          | diffused orientable  |
| Switching         | dimnable 1-10V   |
| Tension           | 110/240V   |
| Color temperature | 3000K  |
| Luminous flux     | 3450lm   |
| Typ cri           | 85   |
| Energy class      | A+   |
| Materials         | Aluminium  |
| Notes             | adjustable cable length from 2,5m to 0,4m, DALI version on request |

### Codes

ELP LWW 54  
ELP LNW 54  
ELP LOW 54  
ELP LLW 54

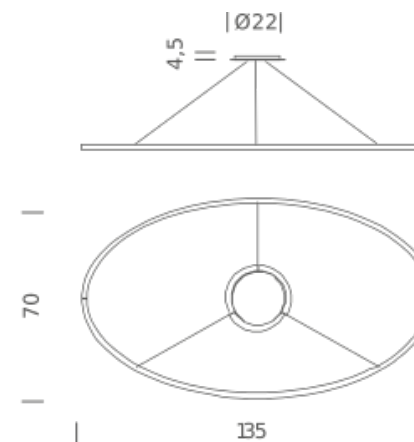
### Structure/Diffuser

white/white  
black/white  
gold painted/white  
polished aluminium/white

### PACKAGE

Package 01 Dimension: 15x80x150 cm / Gross weight: 7,5 kg

### Certificazioni



# UPLIGHT 2700K

## LAMPING

|                   |  |
|-------------------|--|
| Source            | linear LED   |
| Total power       | 66W  |
| Emission          | diffused orientable  |
| Switching         | dimnable 1-10V   |
| Tension           | 110/240V   |
| Color temperature | 2700K  |
| Luminous flux     | 3450lm   |
| Typ cri           | 85   |
| Energy class      | A+   |
| Materials         | Aluminium  |
| Notes             | adjustable cable length from 2,5m to 0,4m, DALI version on request |

## Codes

|            |                              |
|------------|------------------------------|
| ELP LW2 53 | white/white                  |
| ELP LN2 53 | black/white                  |
| ELP LO2 53 | gold painted/white           |
| ELP LL2 53 | polished aluminium/white     |
| ELP LGW 53 | gold polished anodized/white |

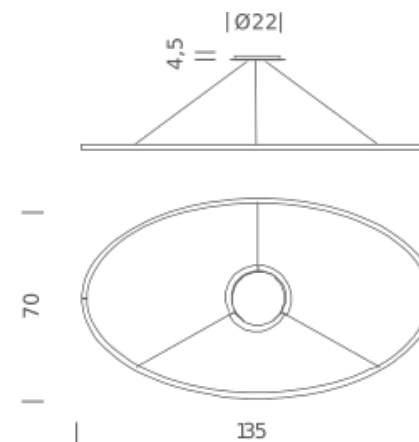
## Structure/Diffuser

|                              |
|------------------------------|
| white/white                  |
| black/white                  |
| gold painted/white           |
| polished aluminium/white     |
| gold polished anodized/white |

## PACKAGE

|            |  |
|------------|--|
| Package 01 | Dimension: 15x80x150 cm / Gross weight: 7,5 kg |
|------------|--|

## Certificazioni



# UPLIGHT 3000K

## LAMPING

|                   |  |
|-------------------|--|
| Source            | linear LED   |
| Total power       | 66W  |
| Emission          | diffused orientable  |
| Switching         | dimnable 1-10V   |
| Tension           | 110/240V   |
| Color temperature | 3000K  |
| Luminous flux     | 3450lm   |
| Typ cri           | 85   |
| Energy class      | A+   |
| Materials         | Aluminium  |
| Notes             | adjustable cable length from 2,5m to 0,4m, DALI version on request |

## Codes

ELP LWW 53  
ELP LNW 53  
ELP LOW 53  
ELP LLW 53

## Structure/Diffuser

white/white  
black/white  
gold painted/white  
polished aluminium/white

## PACKAGE

Package 01 Dimension: 15x80x150 cm / Gross weight: 7,5 kg

## Certificazioni

