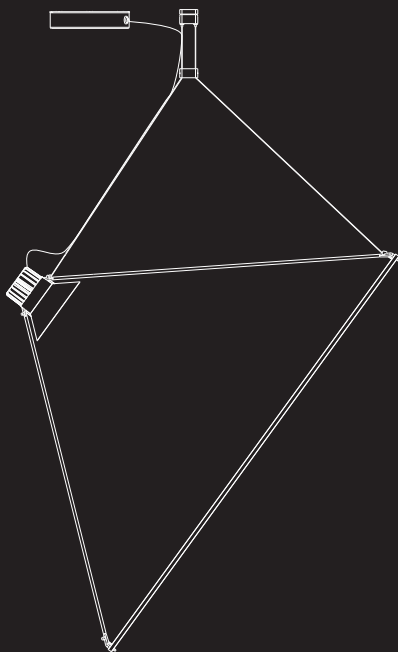


# AMISOL

design Daniel Ribakken

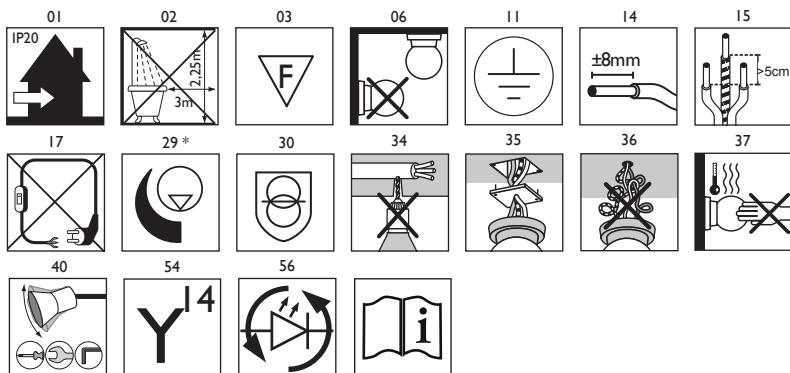


**LUCE  
PLAN**

D91



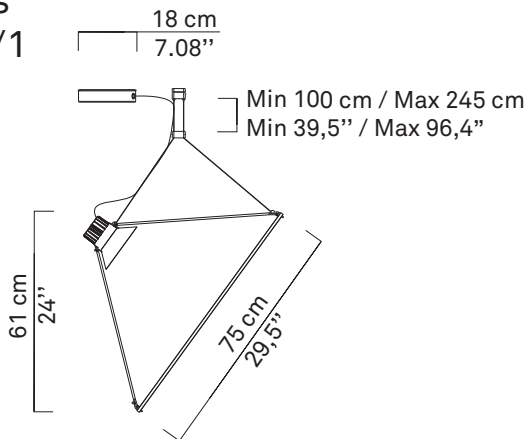
## D91



29\* Amisol drivers are suitable for use with DALI - Push dimm

D91s

D91/1



a

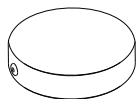


b

Min 225 cm / Max 395 cm  
Min 88,6" / Max 155,5"



x1



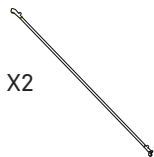
x1



x1



x1



x2



x1



x2

(3 m - 118")



x1

⊙ x4



x4



x2



x2



x1

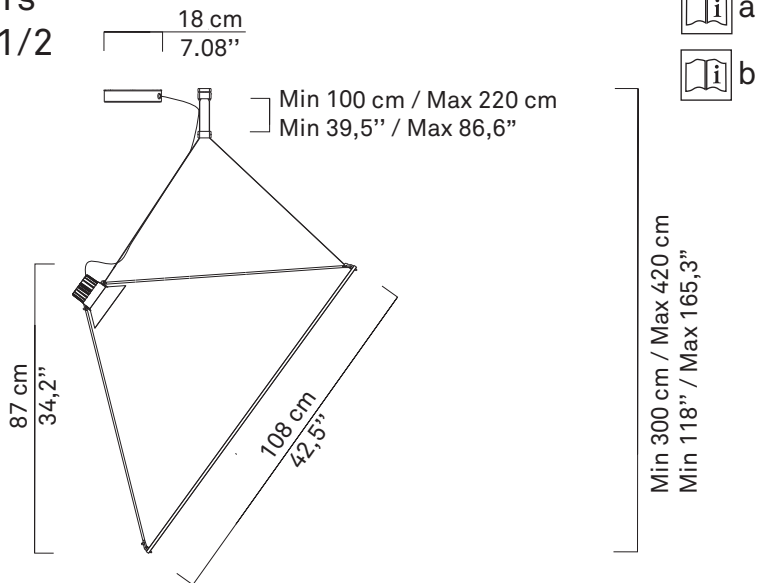
kg

2.5 kg

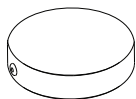
lb

5.51 lb

# D91s D91/2



x1



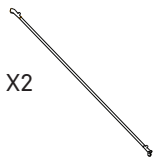
x1



x1



x1



x2



x1



x2

(3 m - 118")



x1



x4



x4



x2



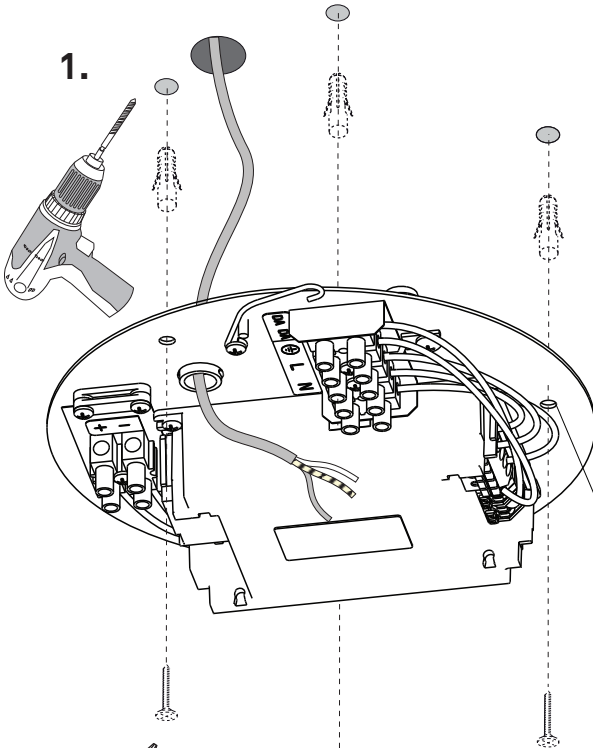
x2



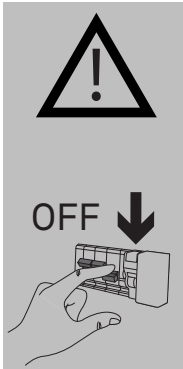
x1

kg 3.05 kg lb 6.72 lb

# 1

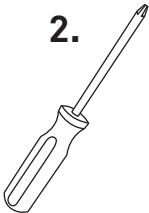


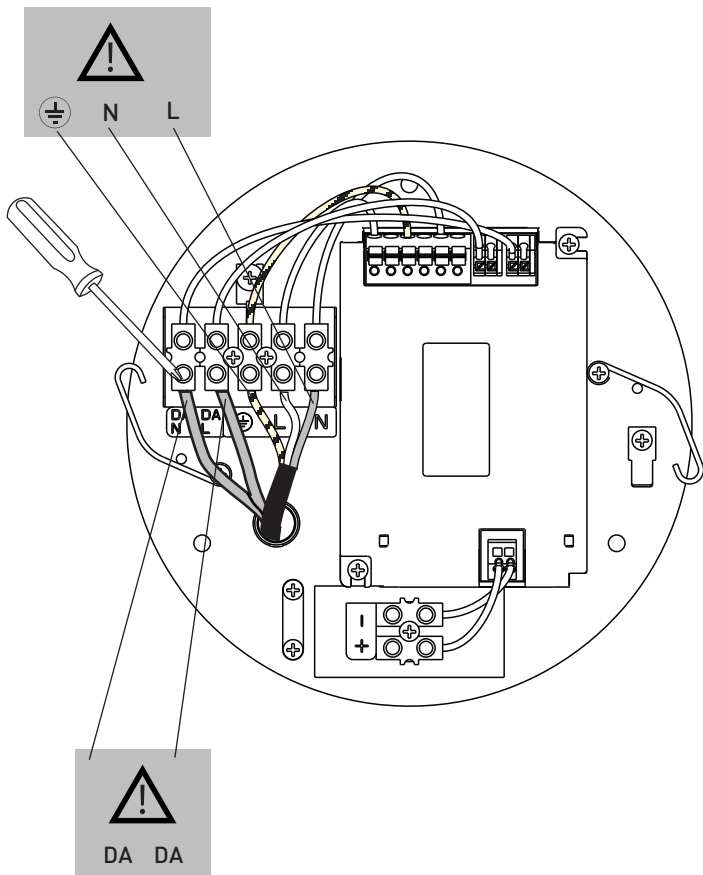
1.

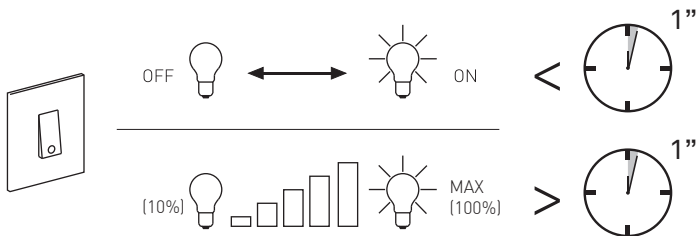
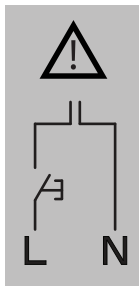
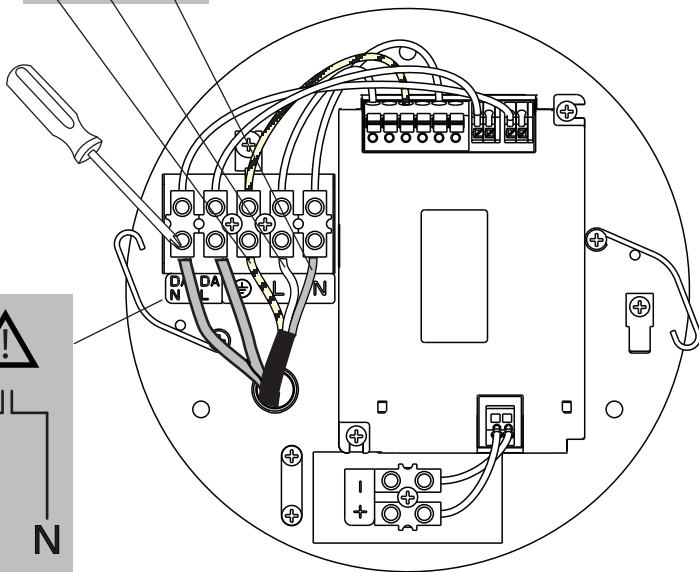


Ø 5mm  
Ø 0,19"

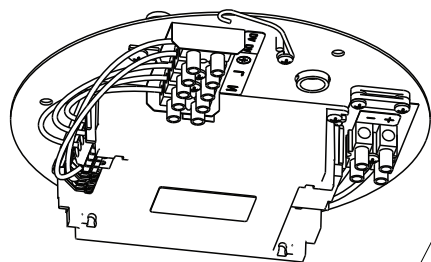
2.



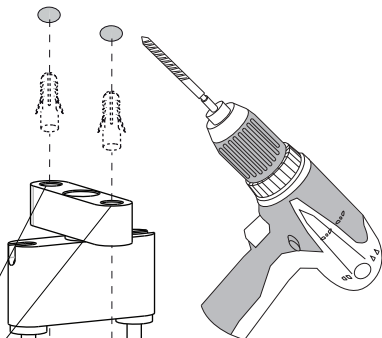




2

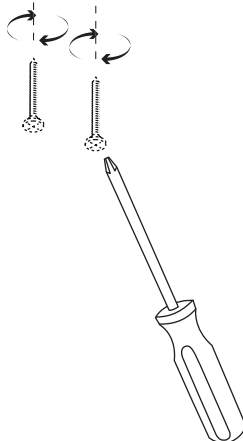


1.



Ø 5mm  
Ø 0,19"

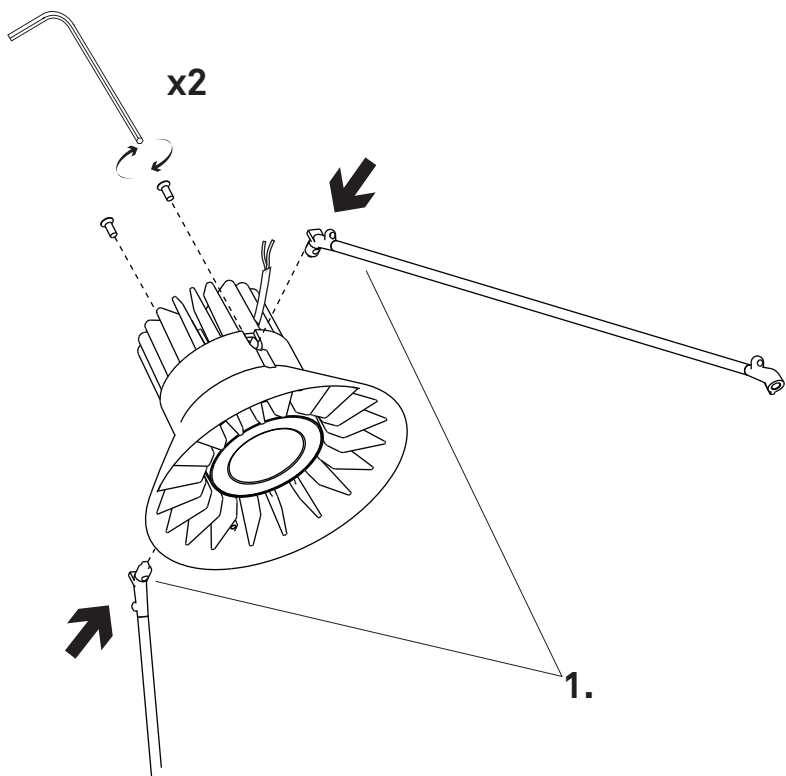
2.





---

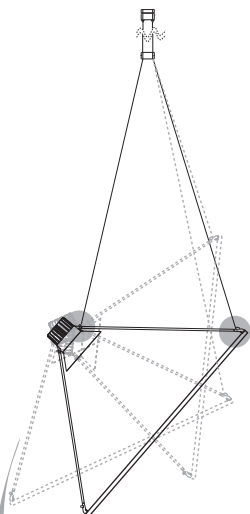
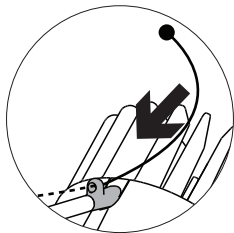
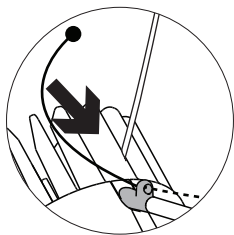
# 3



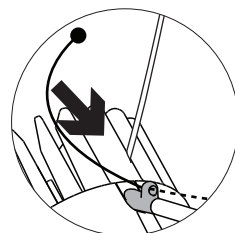
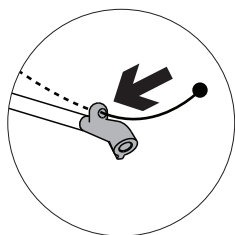
4



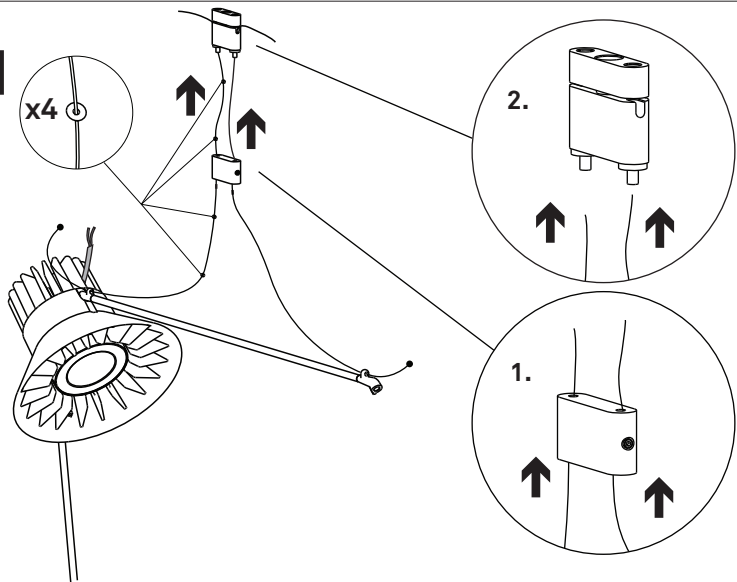
x 2 



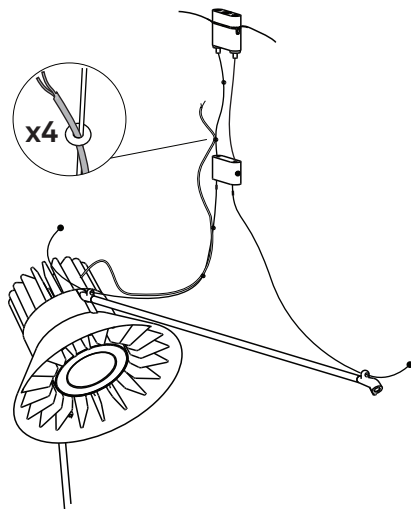
x 2 



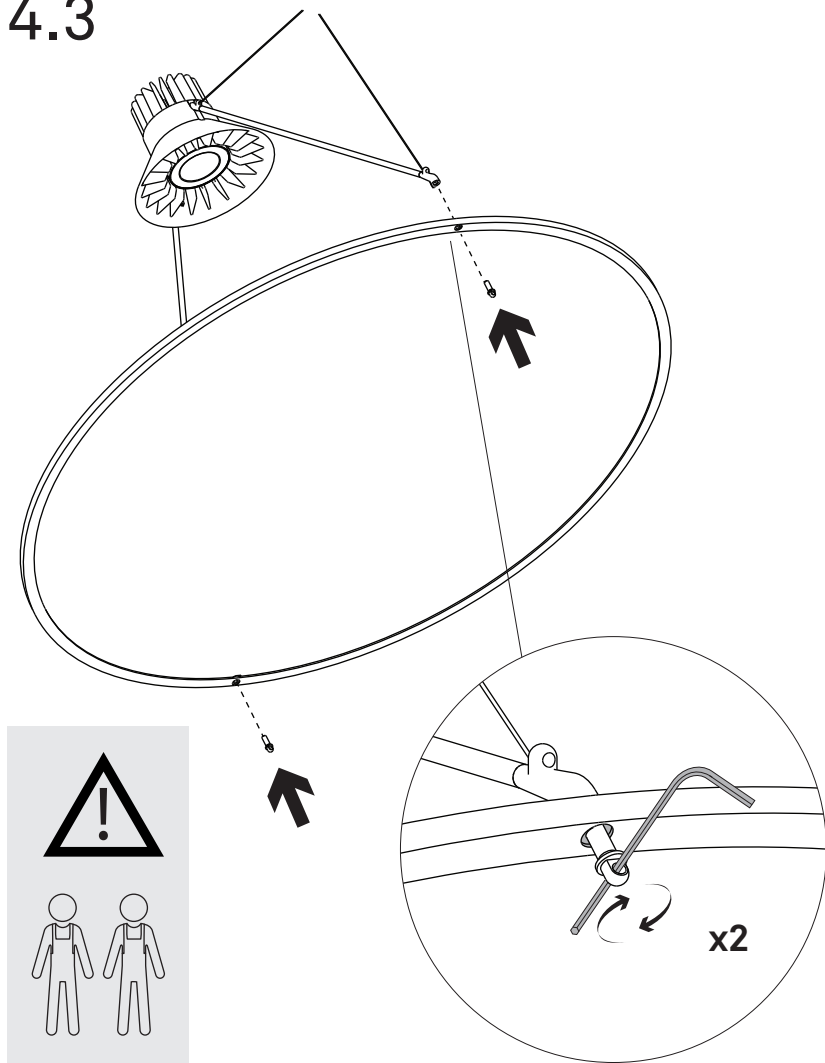
4.1



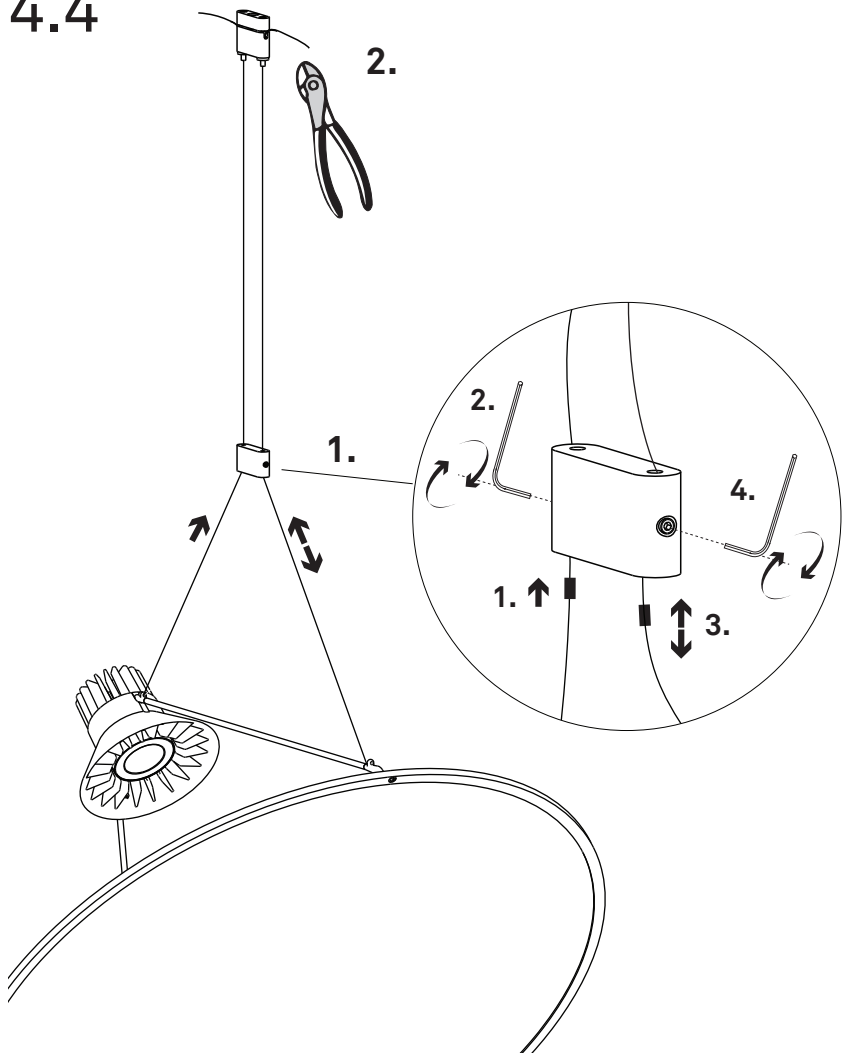
4.2



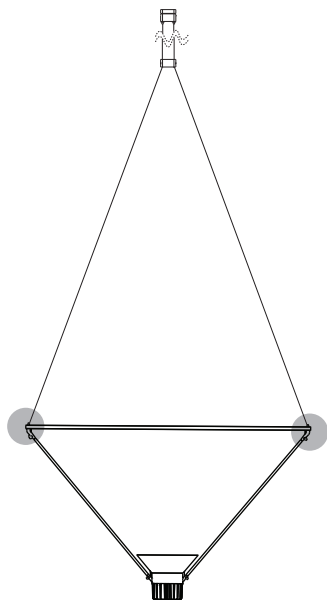
## 4.3



# 4.4



5



x 2

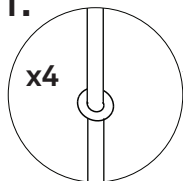


3

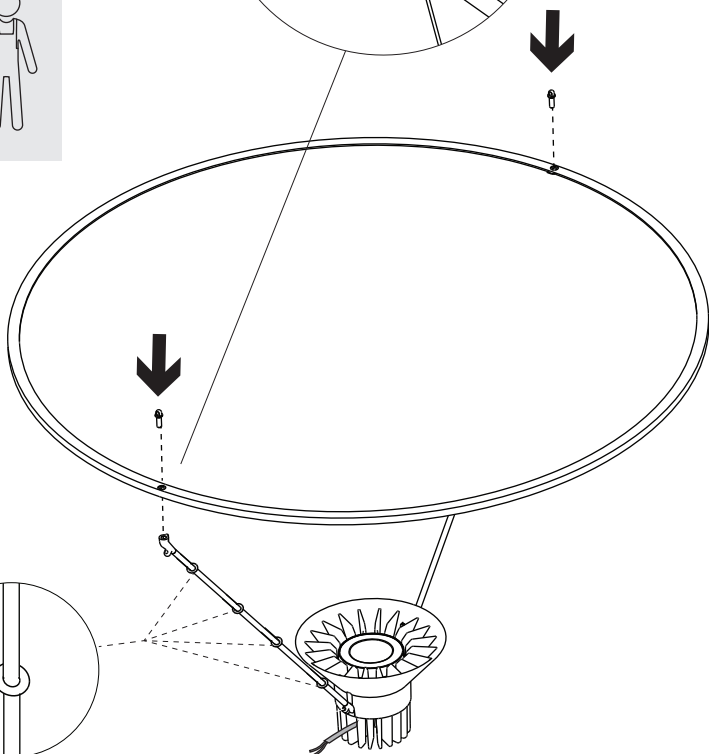
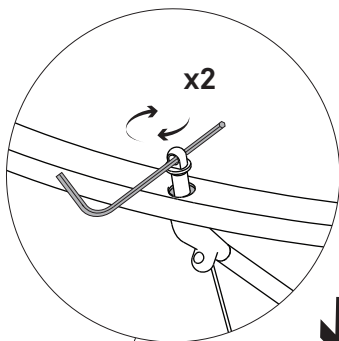
# 5.1



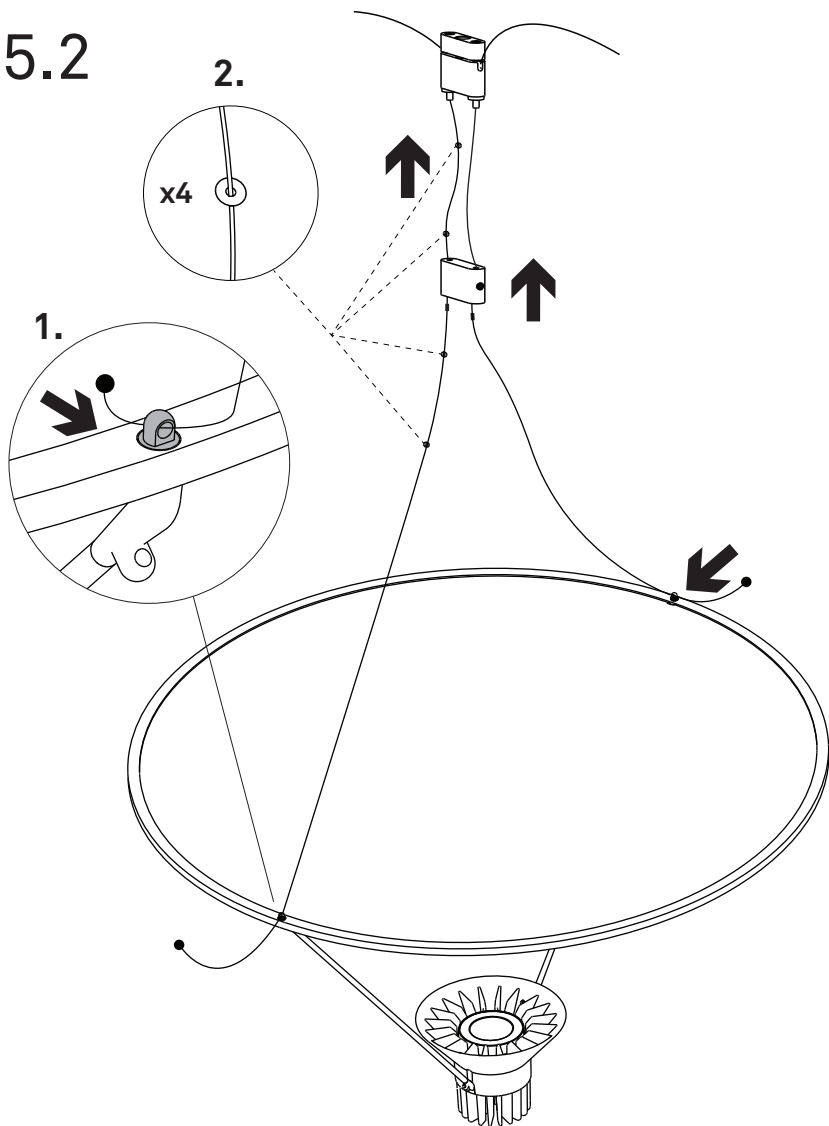
1.



2.

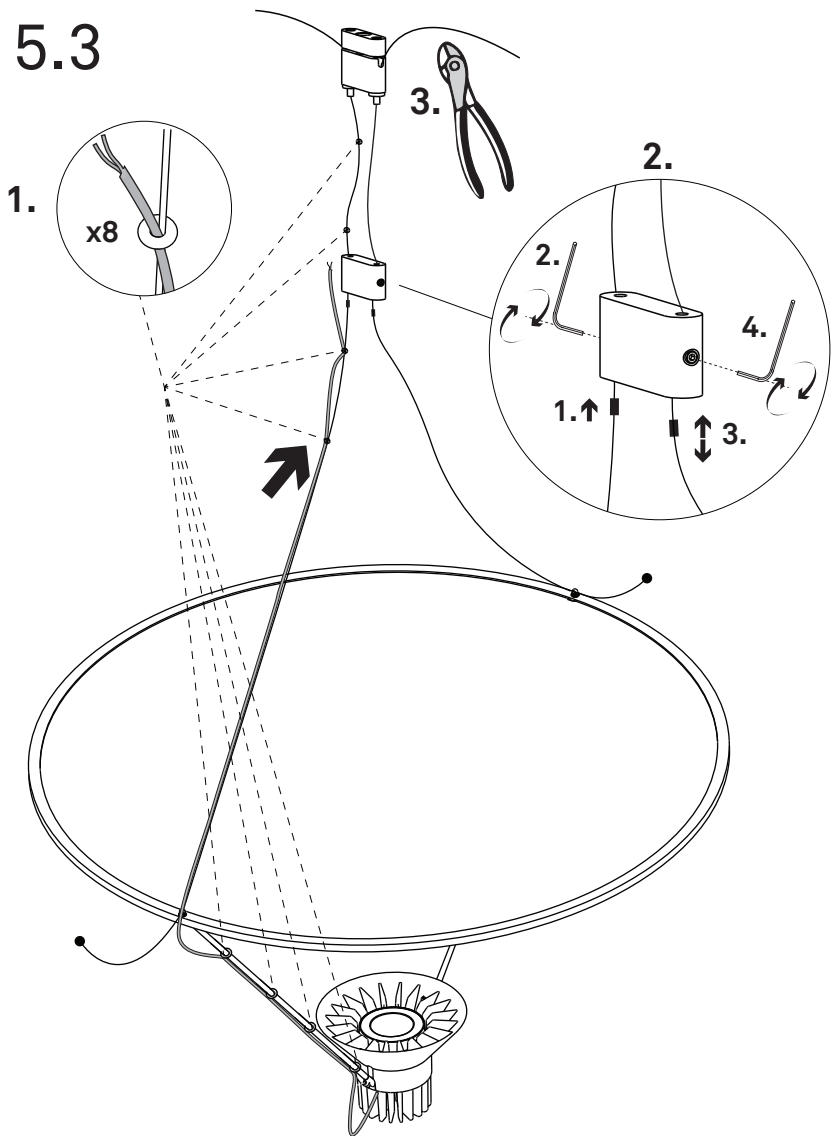


## 5.2

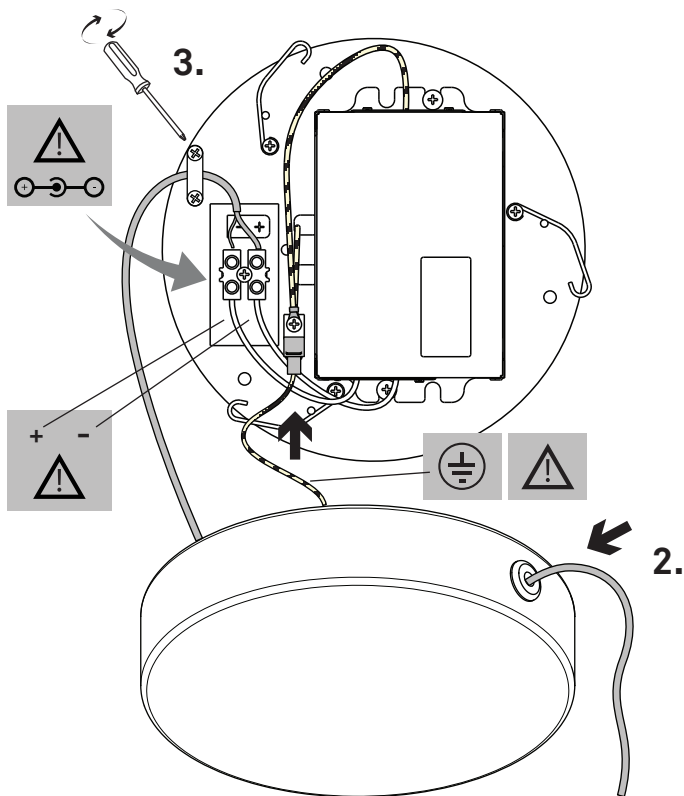
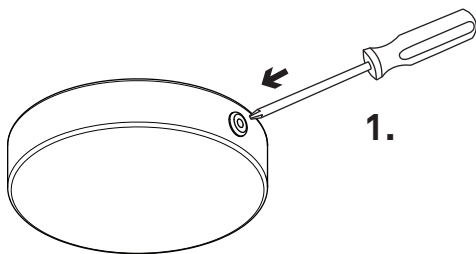




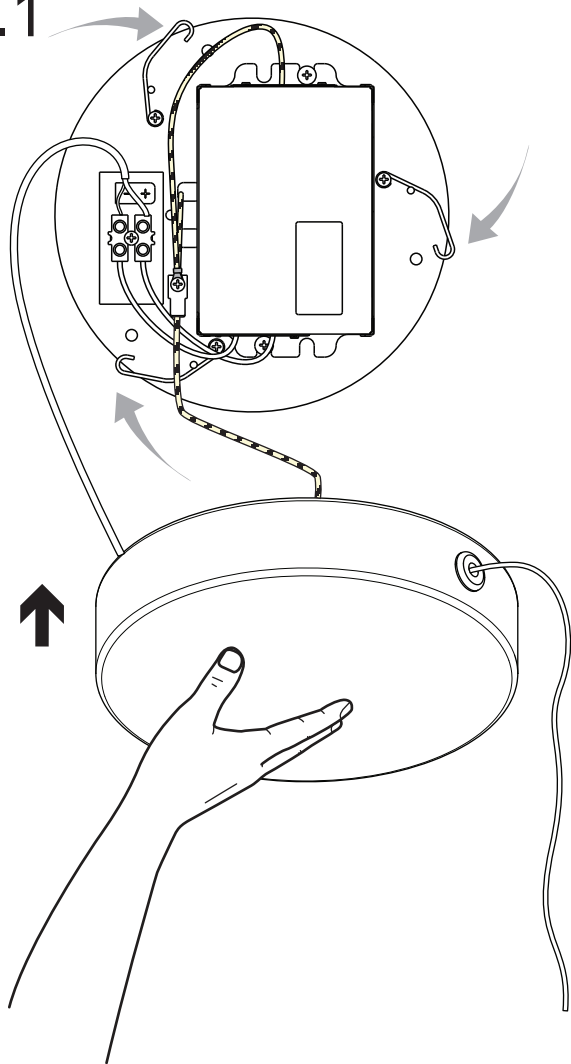
# 5.3



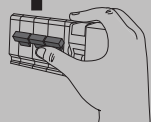
6



6.1



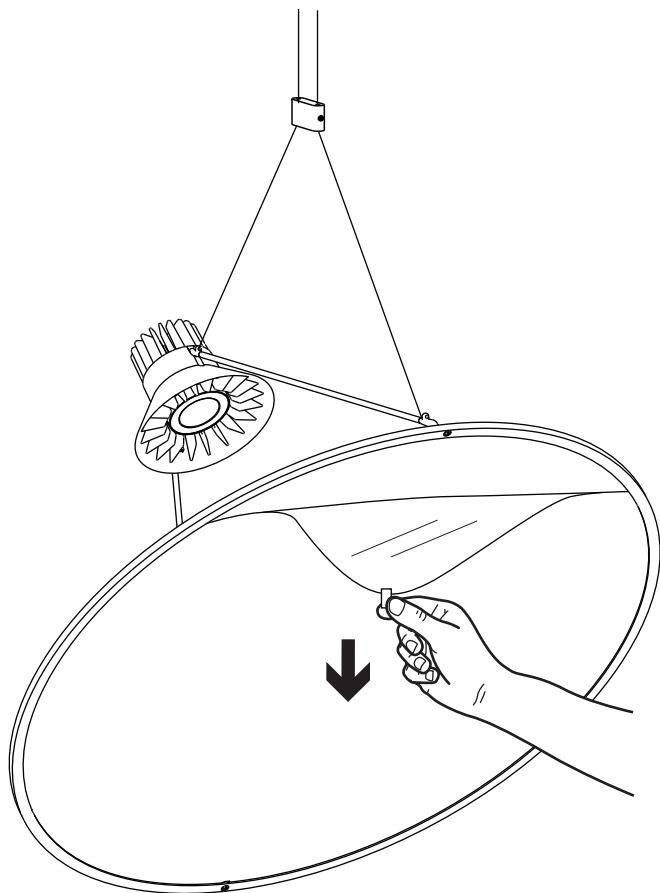
↑ ON



# 7



1D910/100020  
1D910/100030  
1D910/200020  
1D910/200030



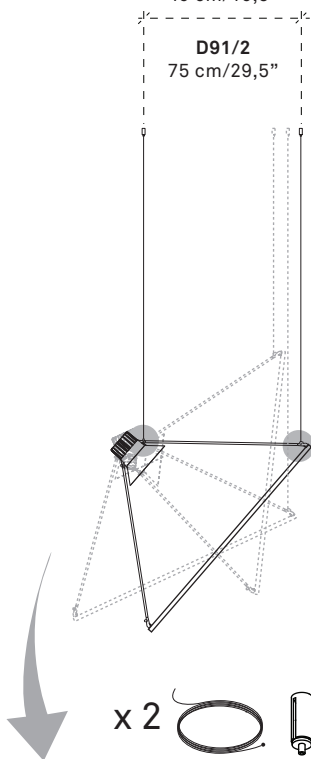
# 8

## D91/0AAR +

D91s  
D91/1  
D91/2

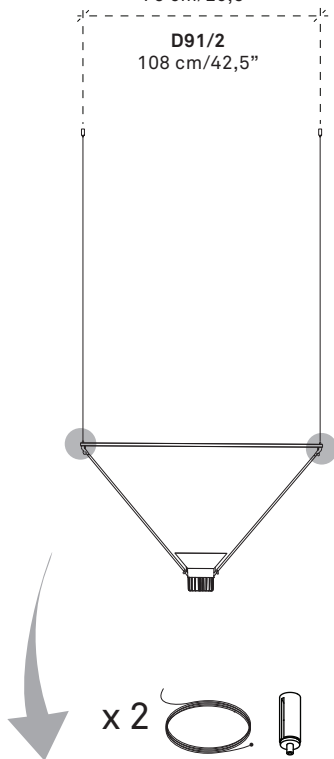
D91/1  
49 cm/19,3"

D91/2  
75 cm/29,5"



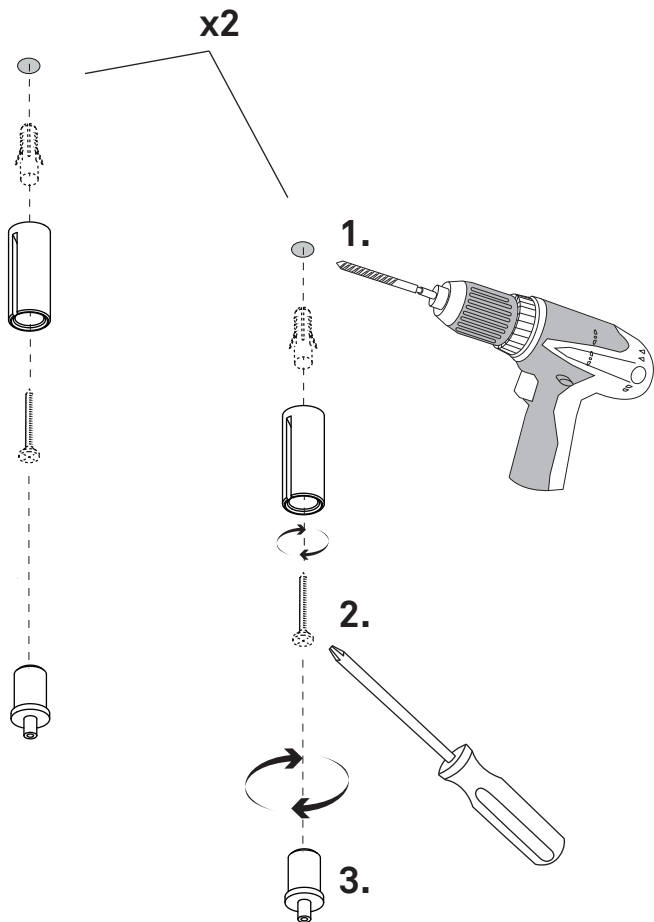
D91/1  
75 cm/29,5"

D91/2  
108 cm/42,5"

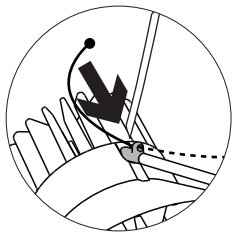
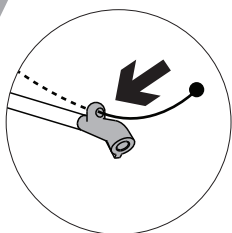
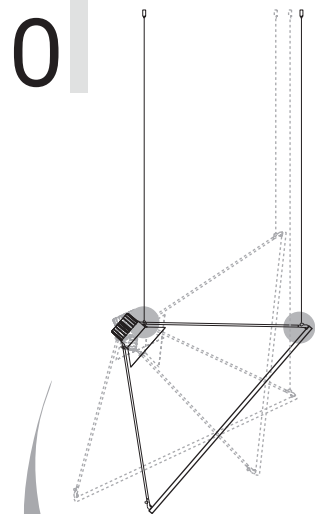


# → 3

9

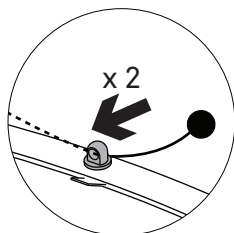
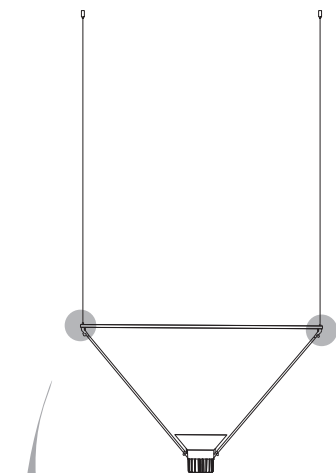


# 10



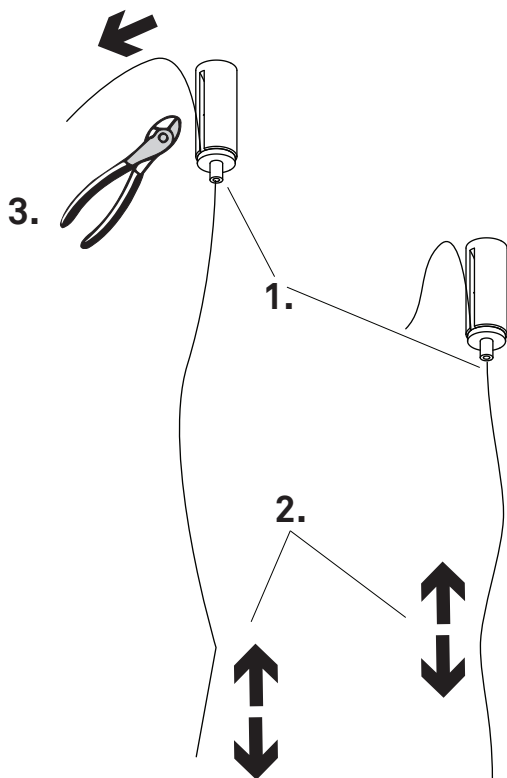
→ 1

→ 4.3



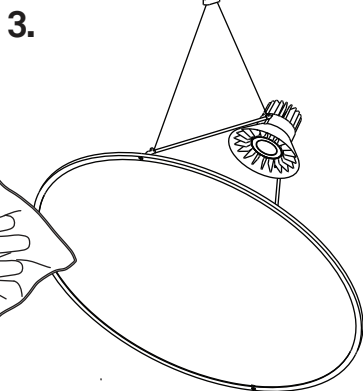
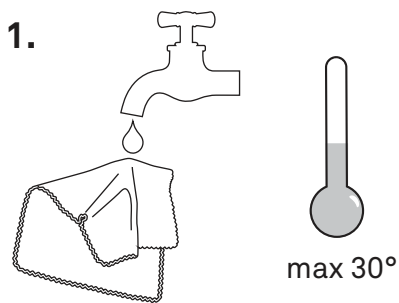
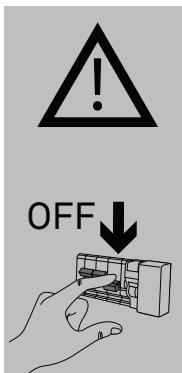
→ 1

→ 5.1



→6 | →6.1 | →7 |











[www.luceplan.com](http://www.luceplan.com)

D910IA001