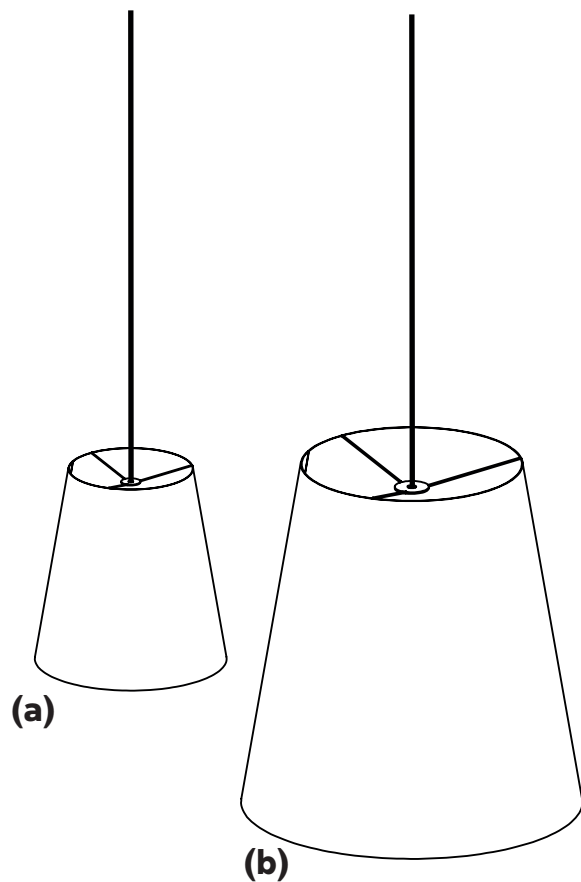
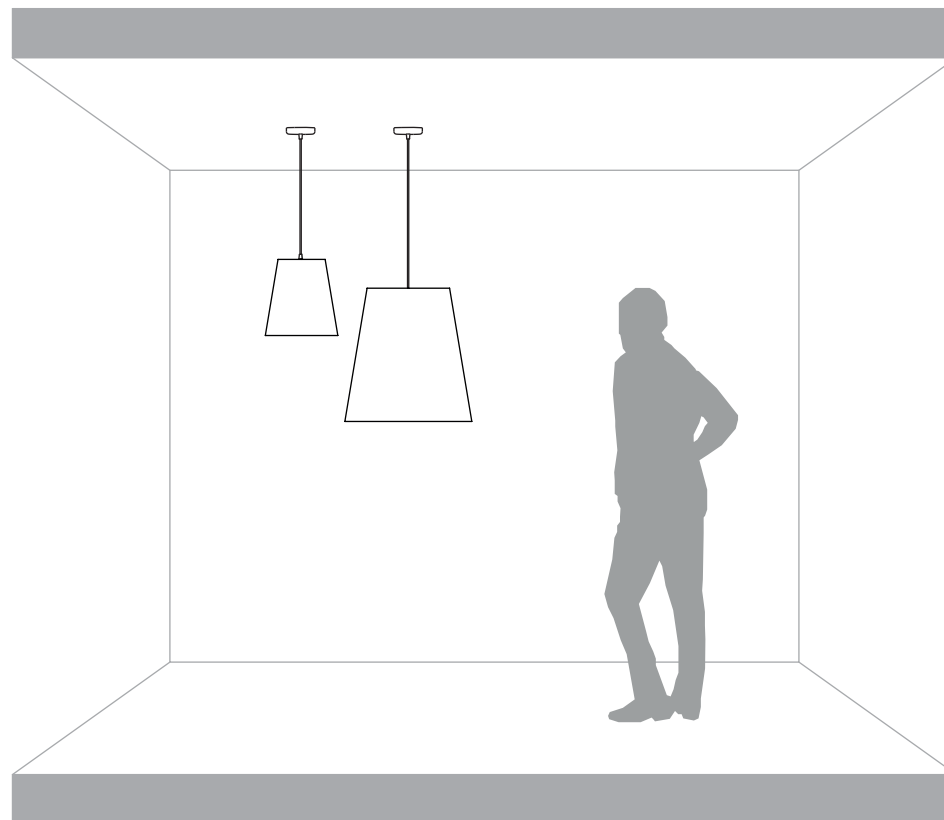


# Cupido



SE194CD INT (a)

SE194DD INT (b)



Karman srl

Via A. Grandi, San Martino del piano, 61034 Fossombrone (PU), Italy  
p.iva 02175640412 tel +39 0721 71 5042 r.a fax +39 0721 716640 - [www.karmanitalia.it](http://www.karmanitalia.it)

# KARMAN

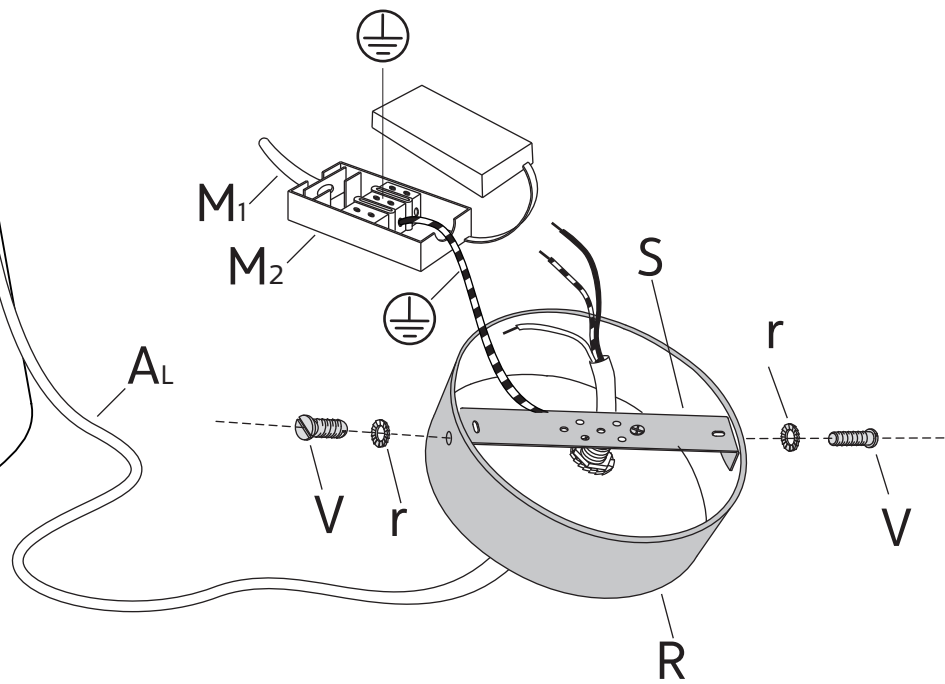
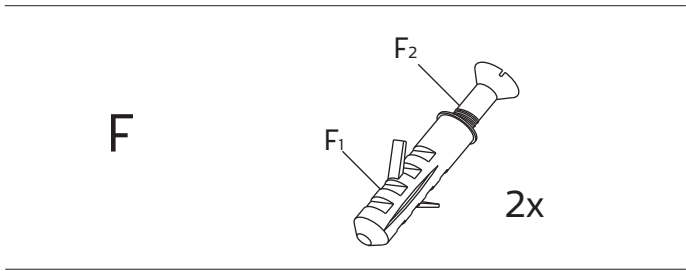
220-240V

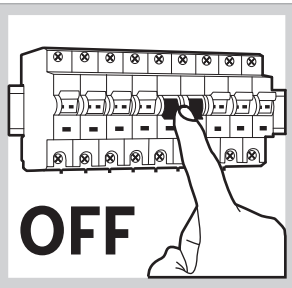
1 x max 57W - E27 (a)

1 x max 105W - E27 (b)

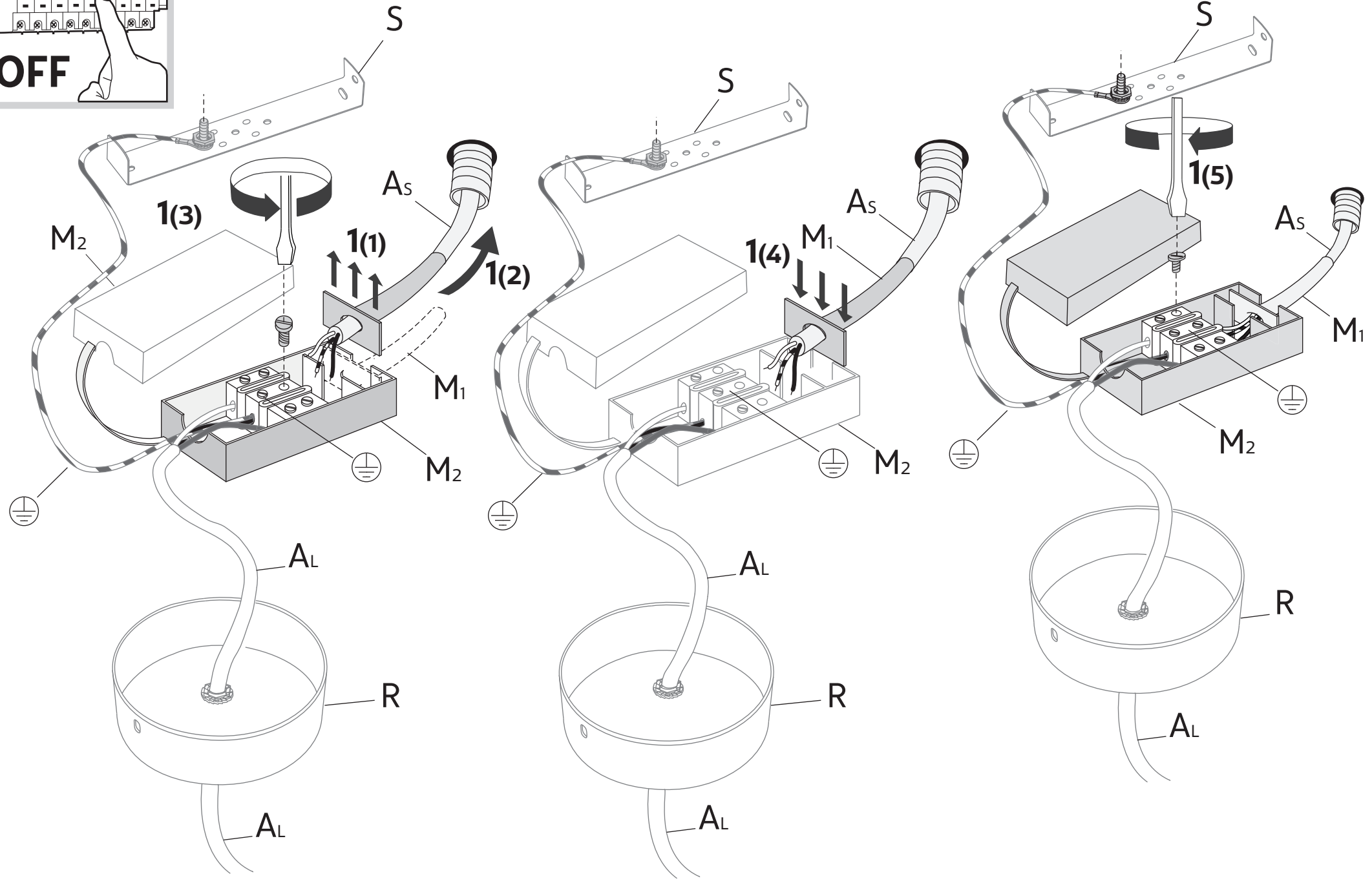


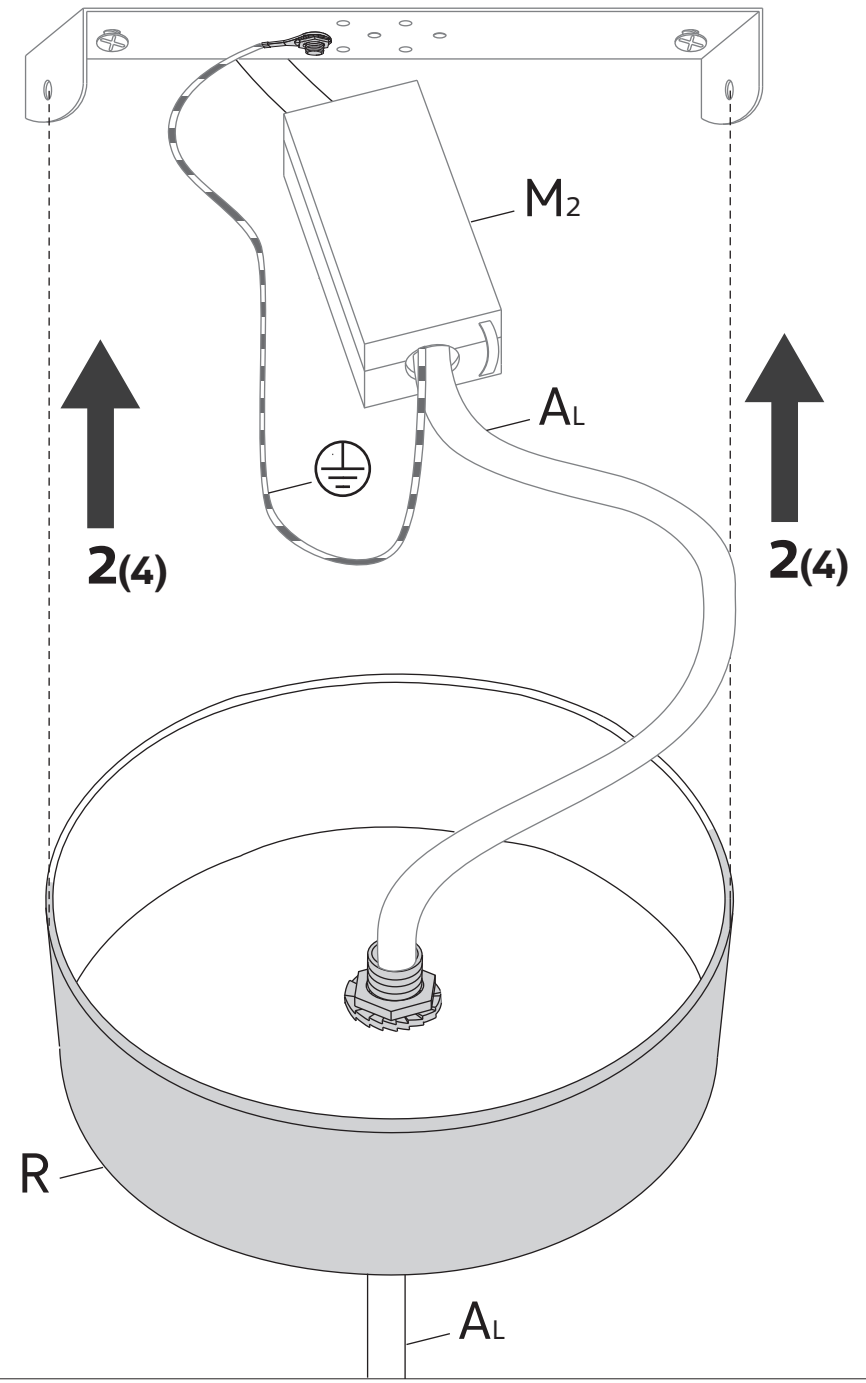
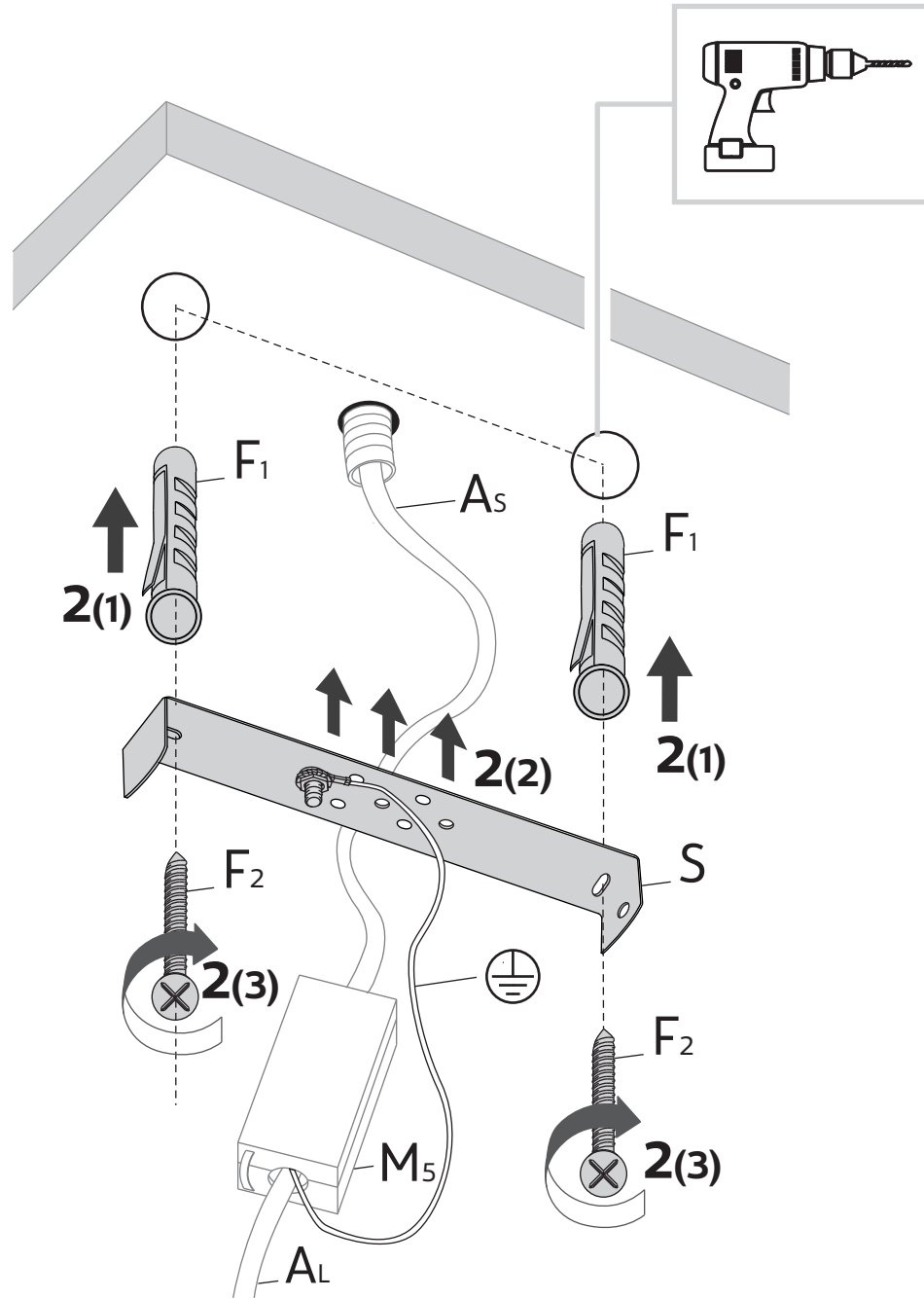


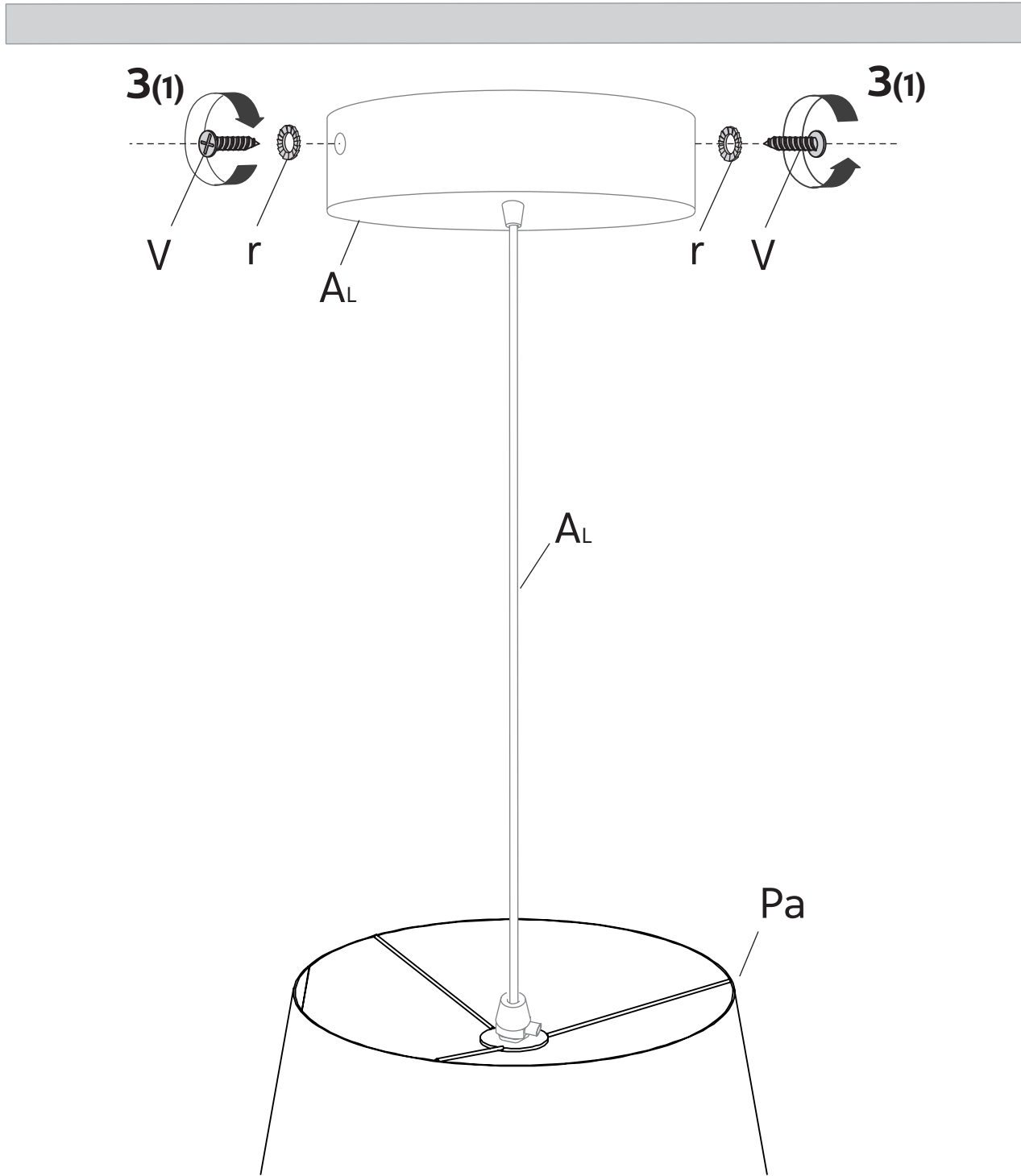


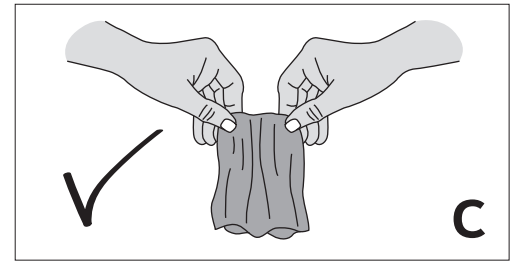
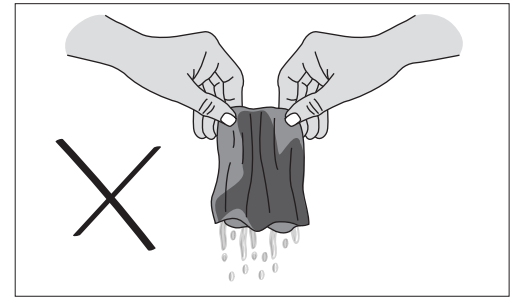
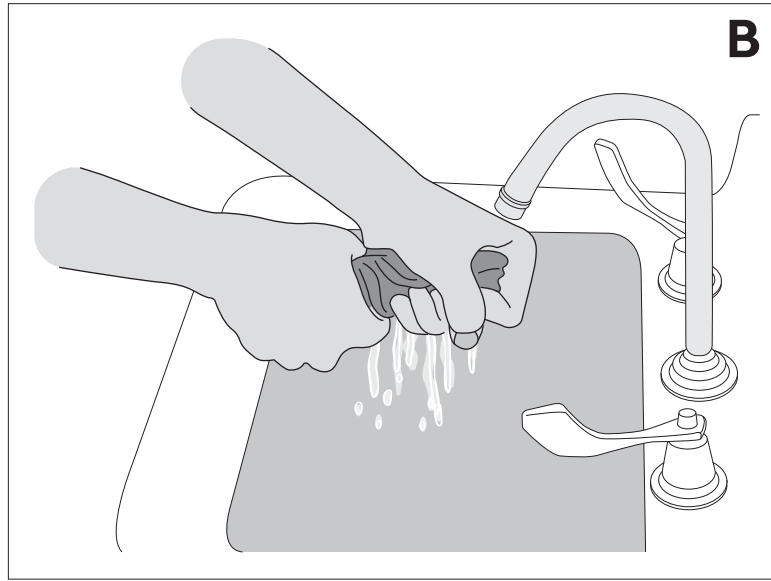


1









chemical agents

chemical agents

alcohol

