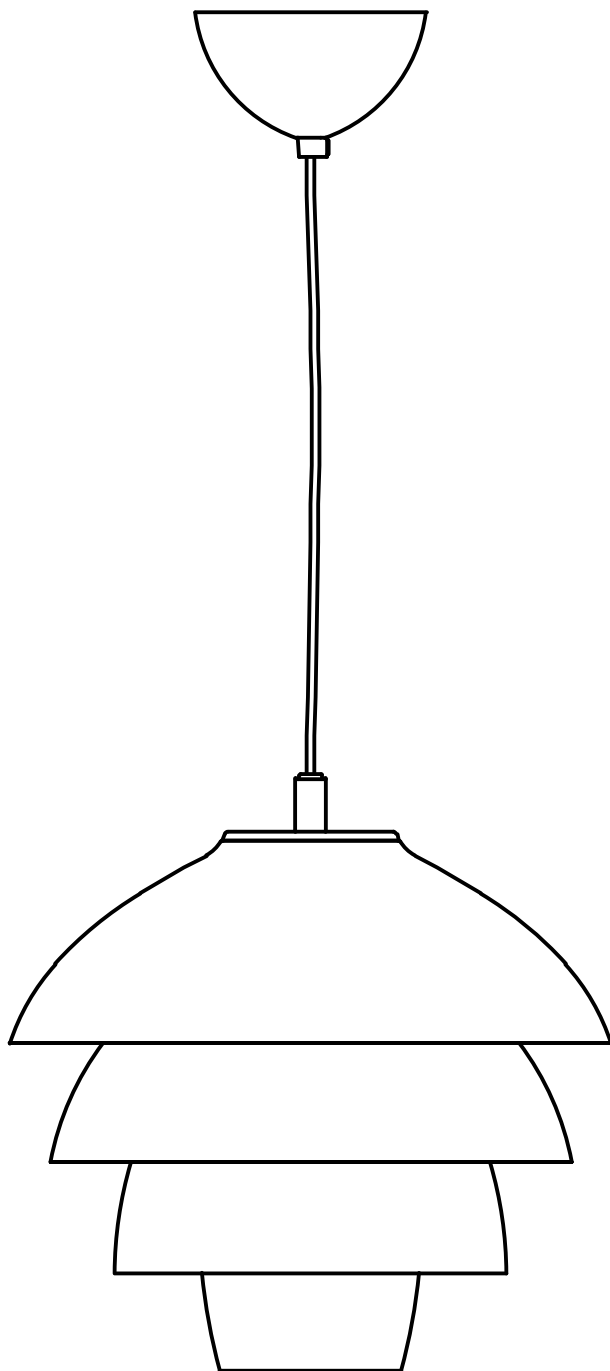
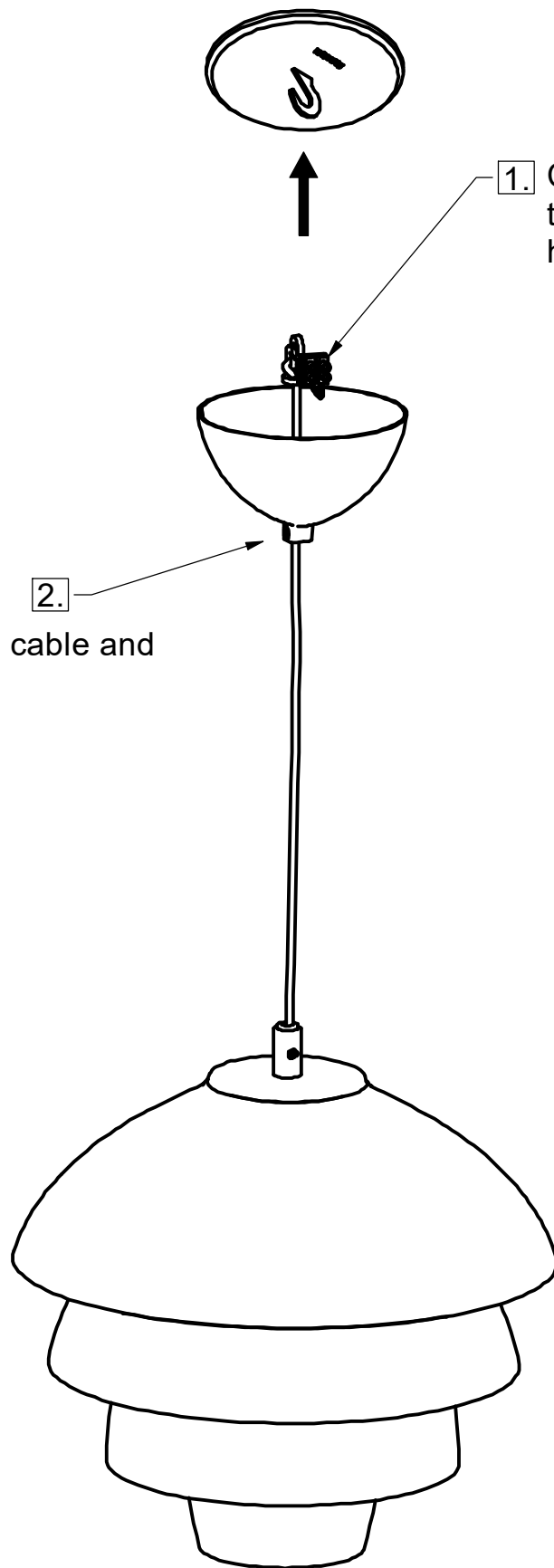


Valencia

T-1007, T-1107



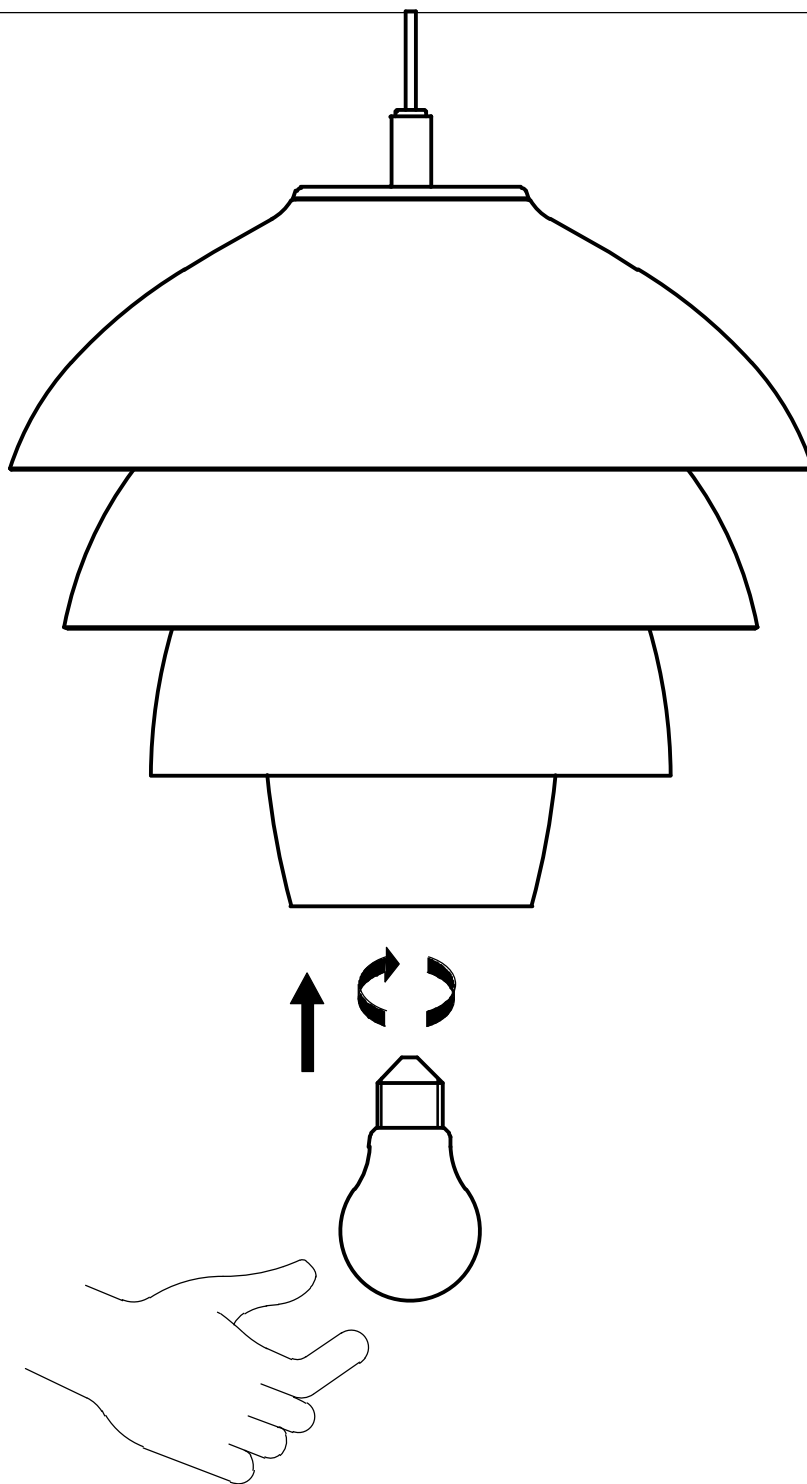
BELID



1. Connect the luminaire to a power supply and hang on a ceiling hook.

2. Adjust the length of the cable and tighten the set screw.

Adjust the length of the cable and tighten the set screw.



English

If the external flexible cable or cord of this luminaire is damaged, it may only be replaced by the manufacturer, its service agent or a similarly qualified person in order to avoid hazard.

Belid Lighting AB is not responsible for incorrect assembly and/or installation and handling errors.

If you are uncertain, please contact your retailer.

Svenska

Om den yttre böjliga kabeln eller sladden till denna belysning skadas, får den endast bytas av tillverkaren, dennes serviceagent eller annan behörig person för att undvika eventuella risker. Belid Lighting AB ansvarar inte för felaktig montering och/eller installation samt handhavandefel.

Om du är osäker, var vänlig kontakta din återförsäljare.

Instruction 1758

Belid Lighting AB, SE-432 48 Varberg, Sweden | Phone +46 340 662500 | www.belid.se