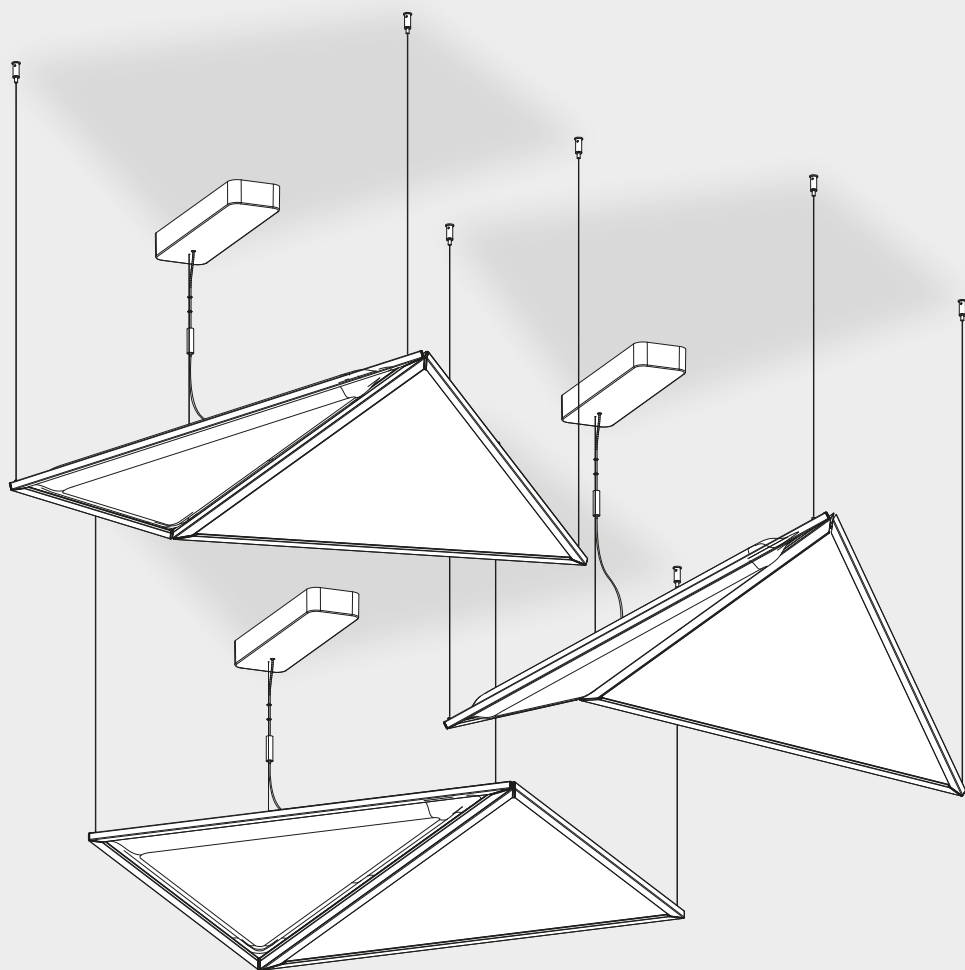


FLEXIA

design
Mario Cucinella



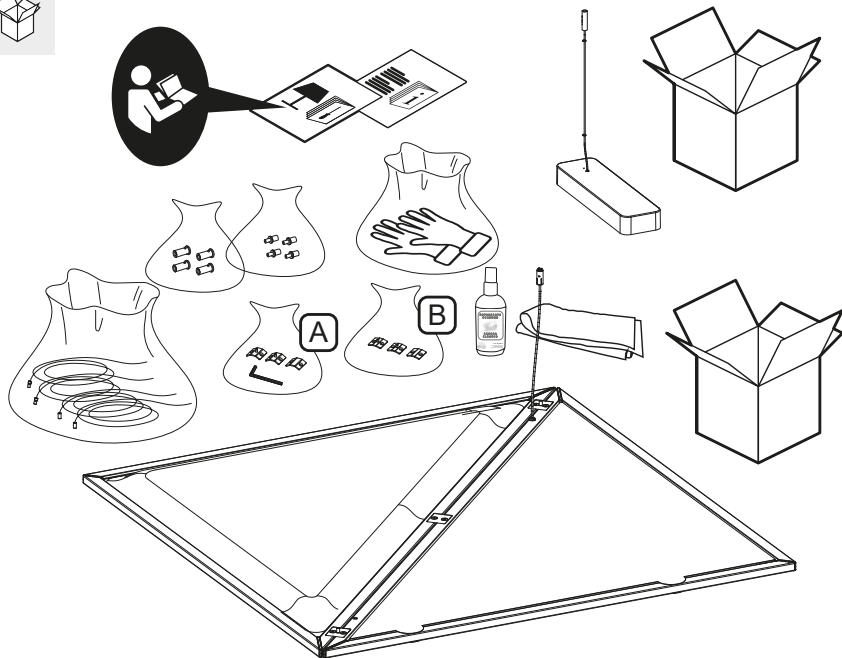


i

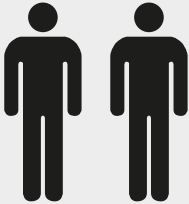
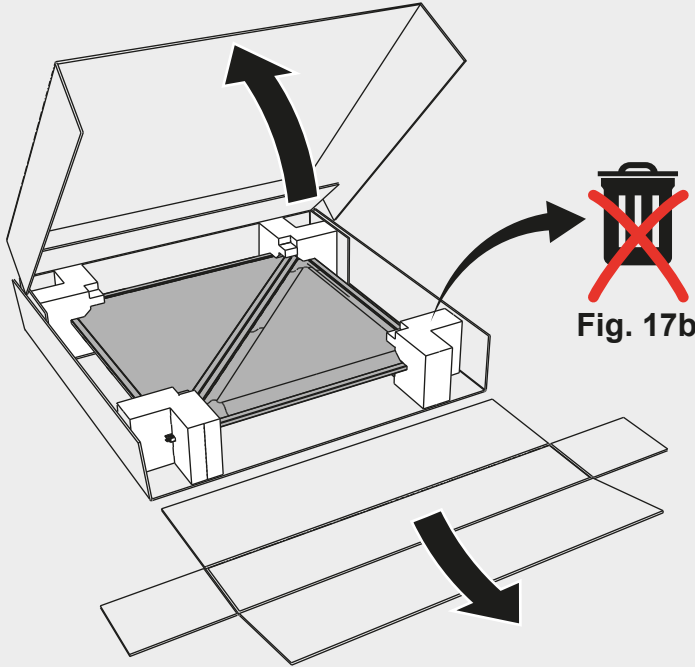
| | | | | | |
|--|--|--|--|--|--|
| | | | | | |
| | | | | | |
| | | | | | |
| | | | | | |



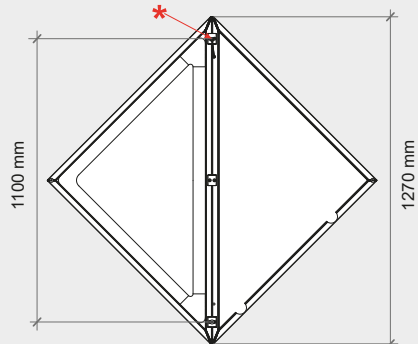
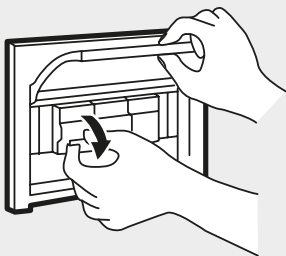
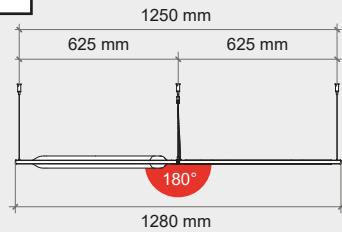
Artemide App
Quick Starting Guide

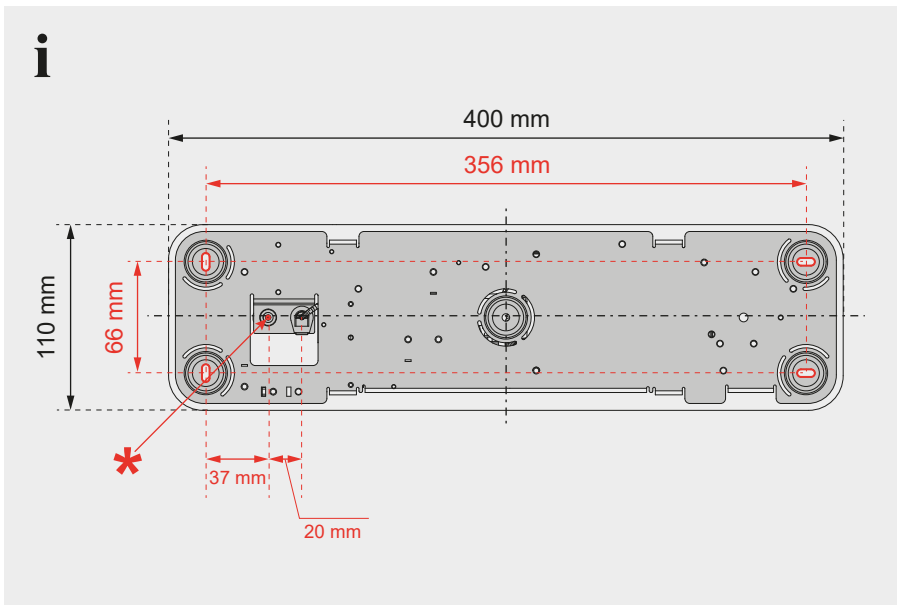
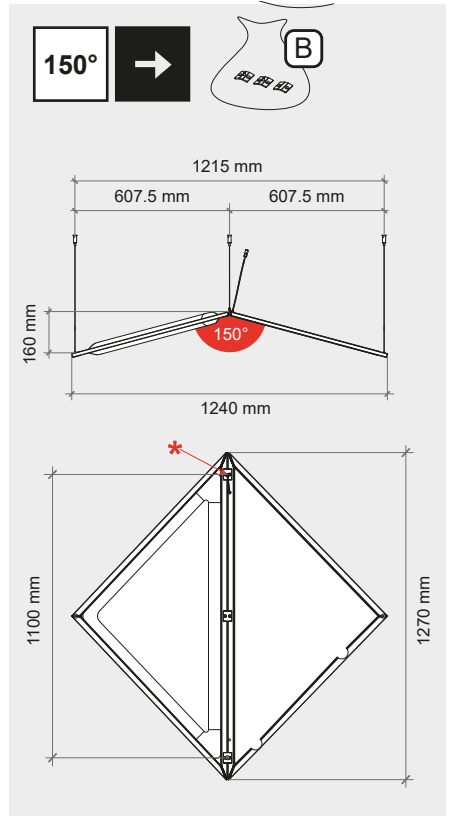
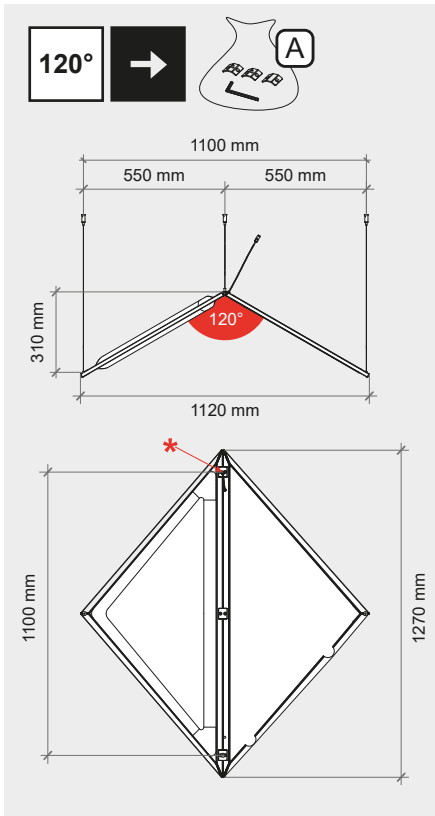


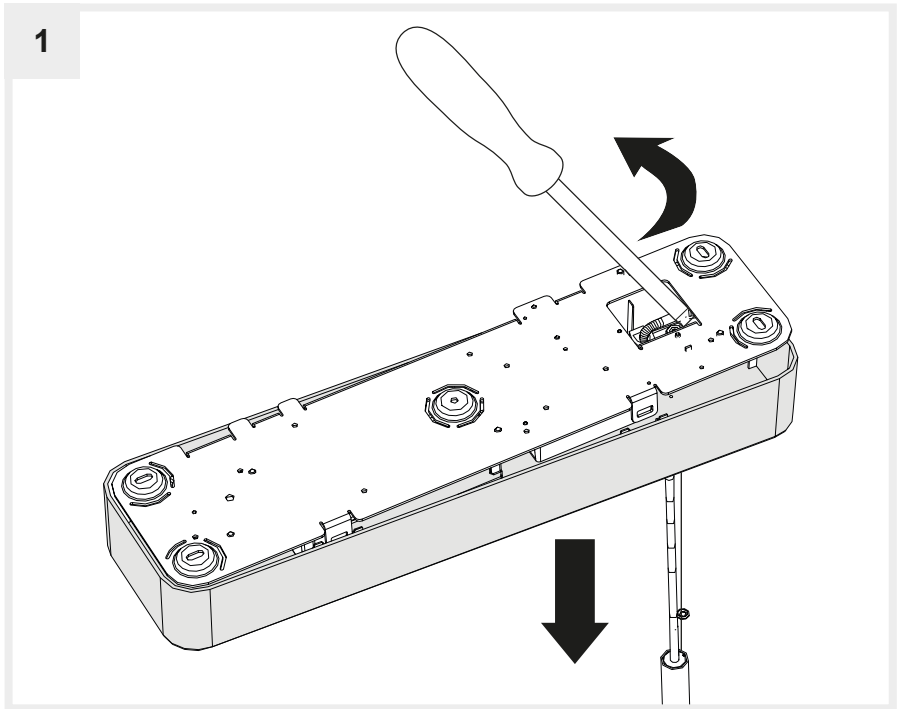
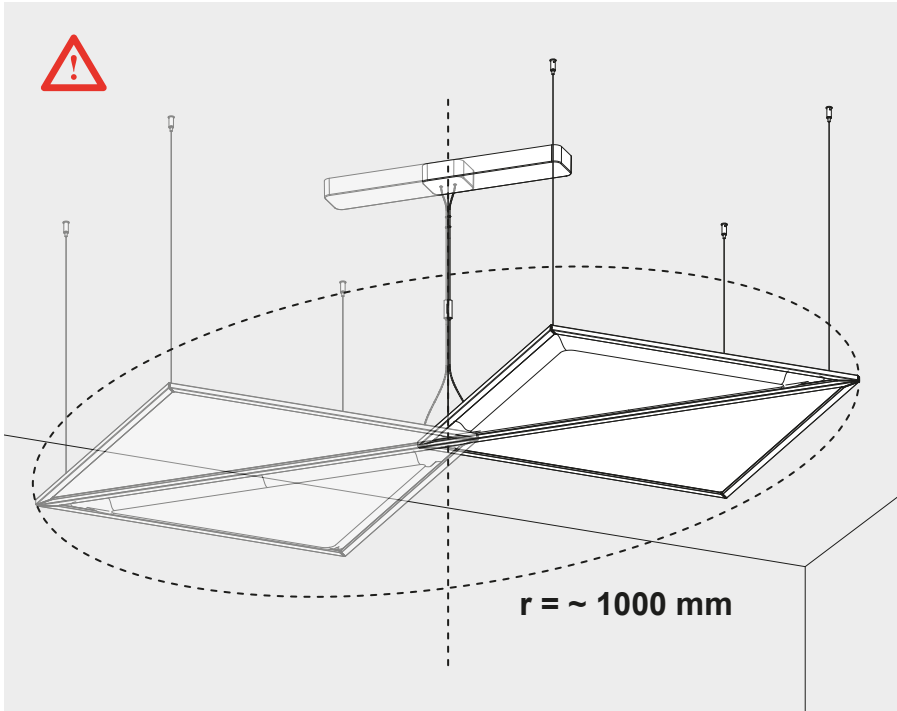
i



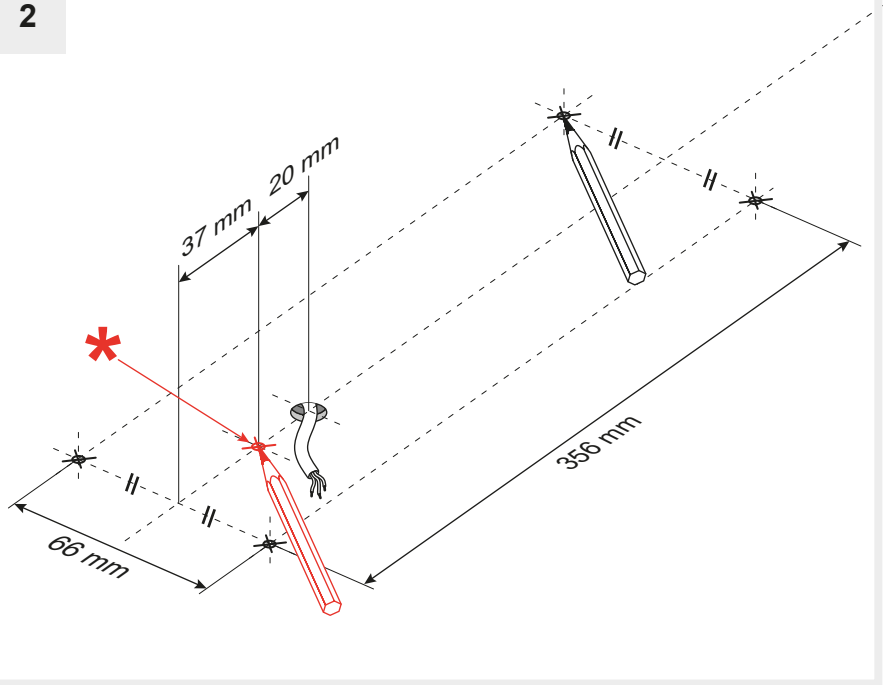
180°



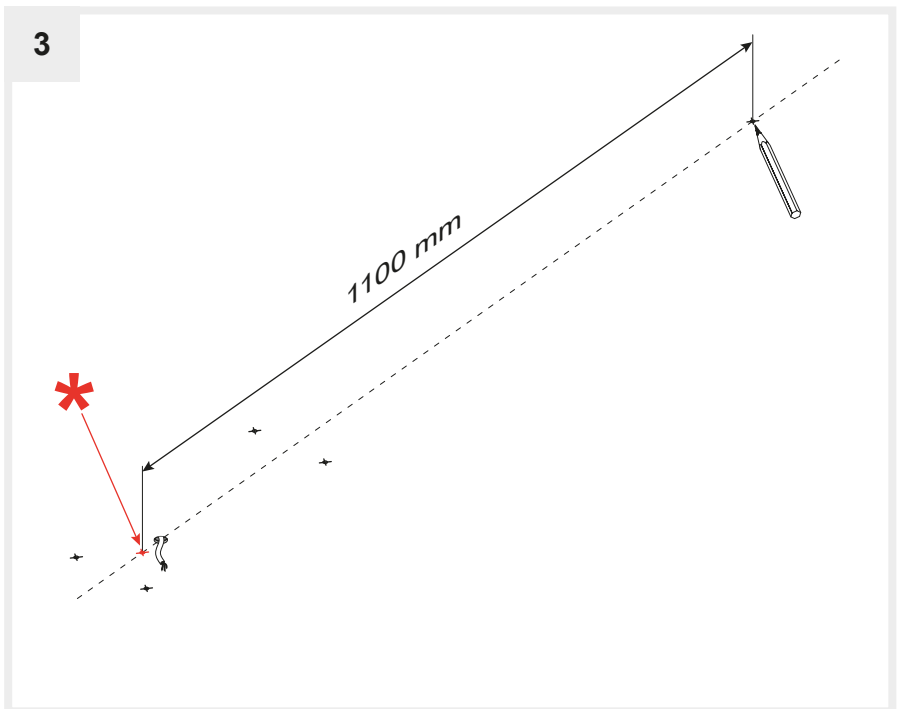




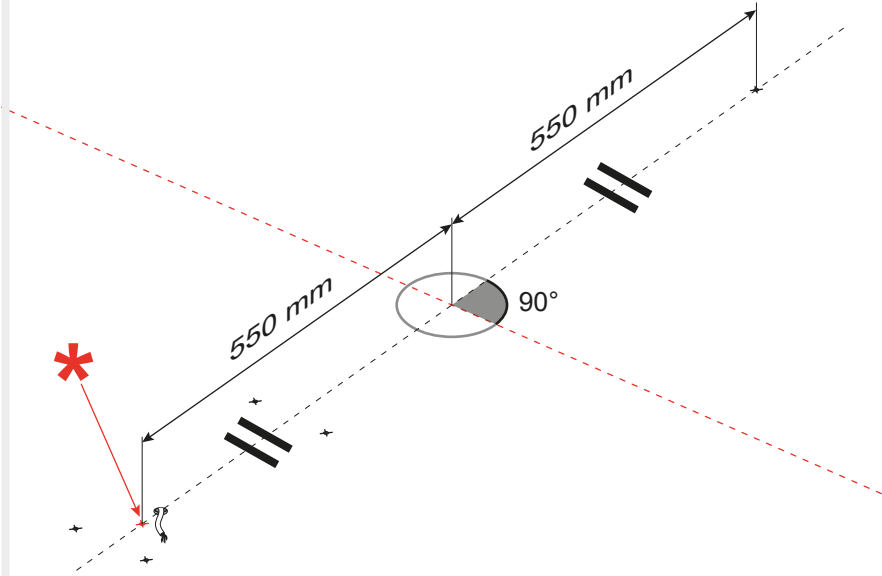
2



3

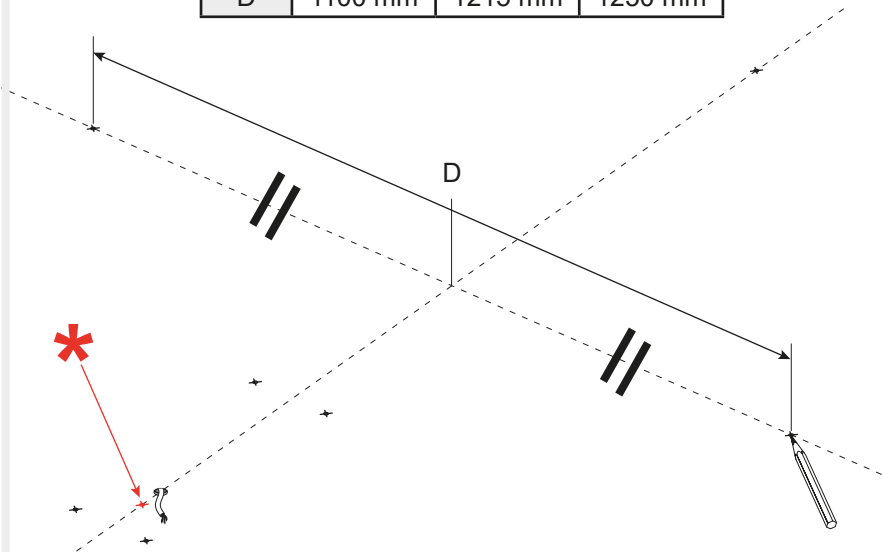


4

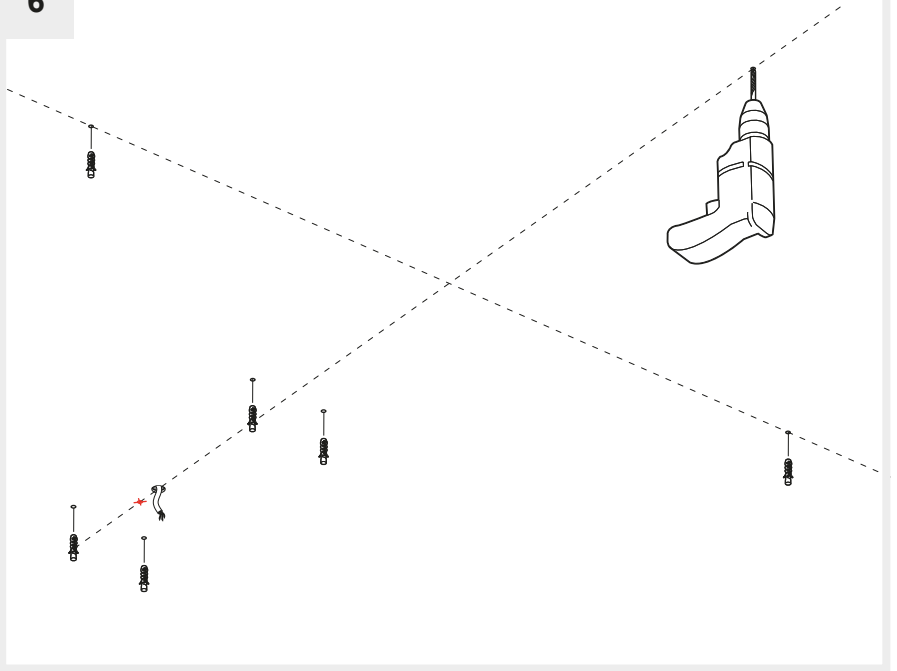


5

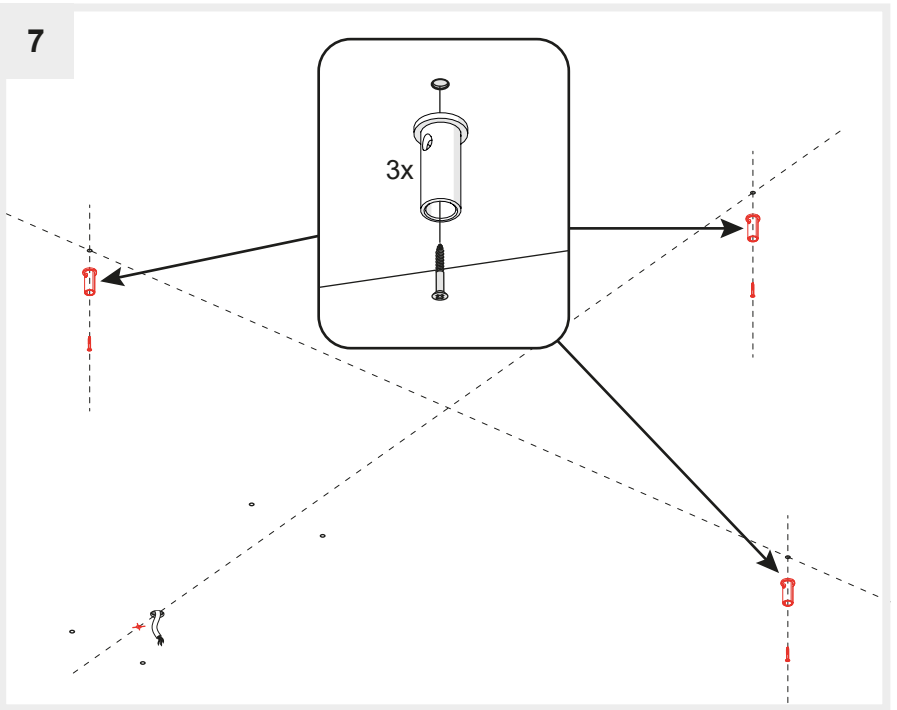
| | 120° | 150° | 180° |
|---|-------------|-------------|-------------|
| D | 1100 mm | 1215 mm | 1250 mm |

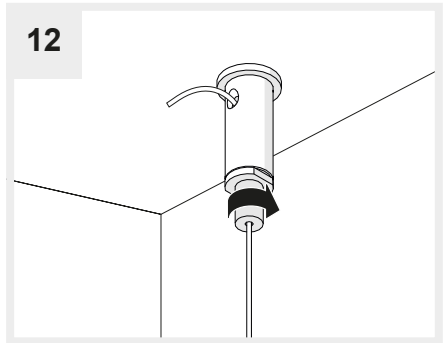
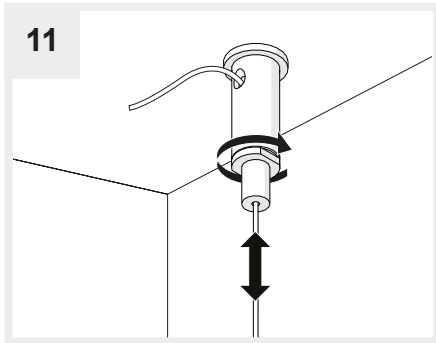
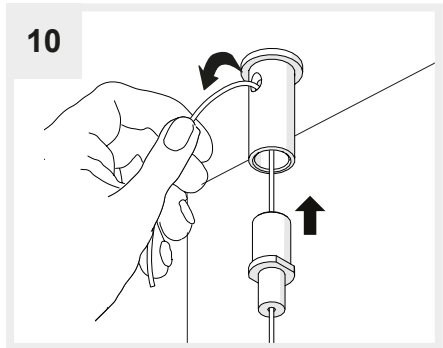
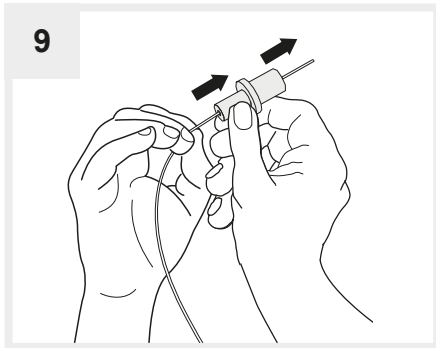
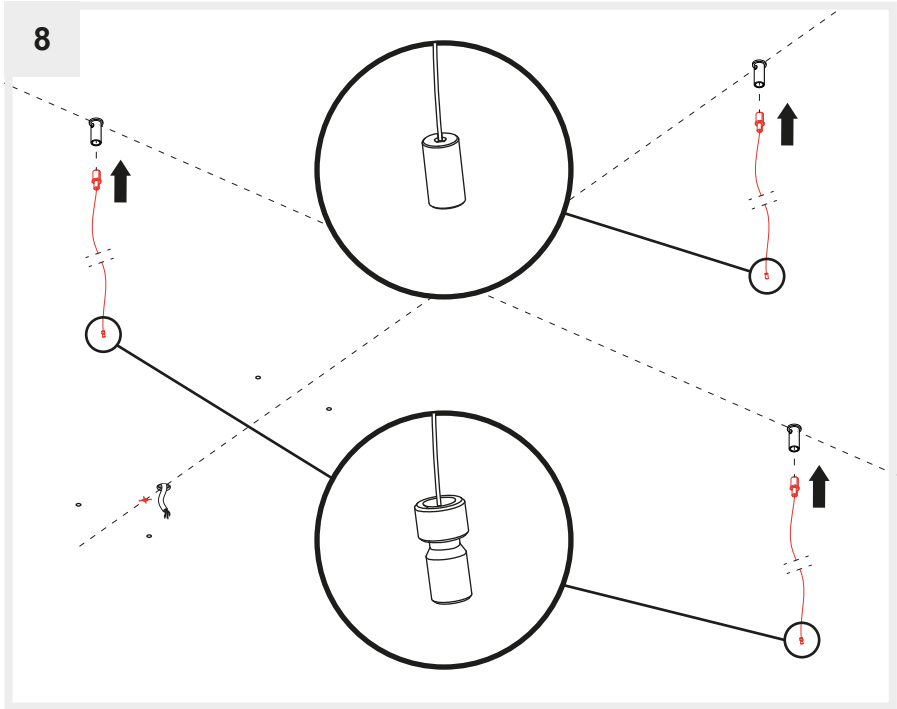


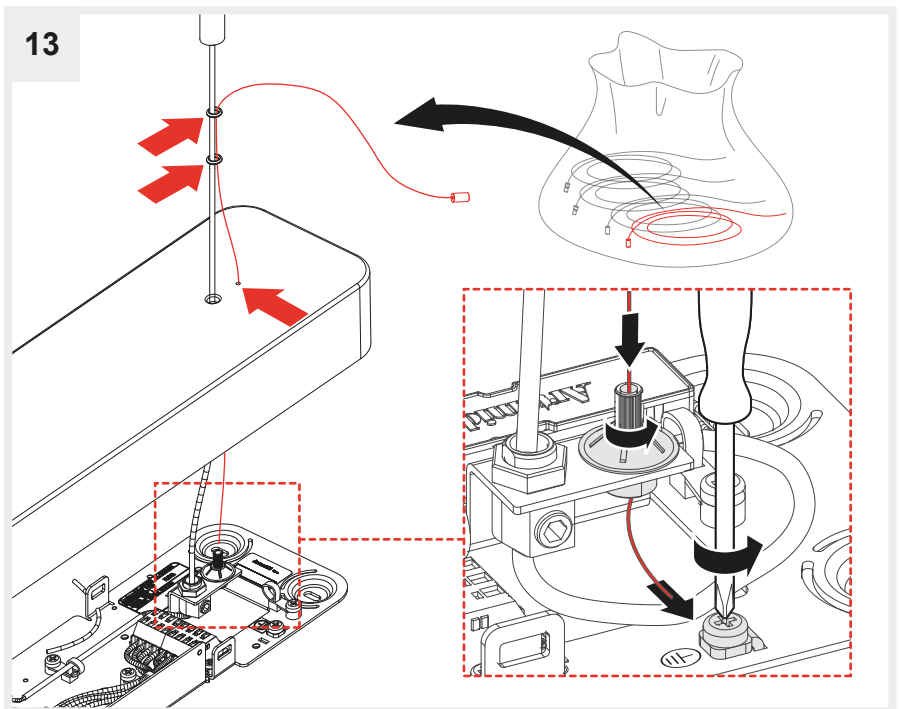
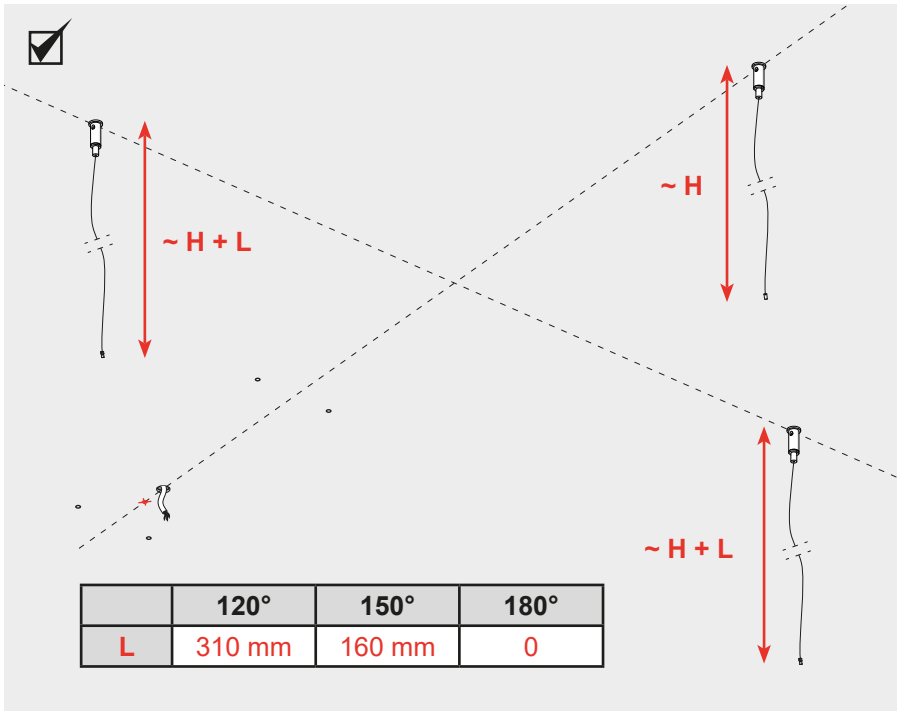
6



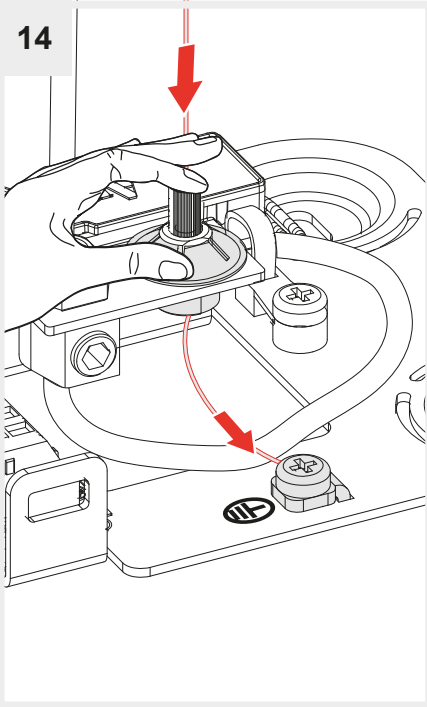
7



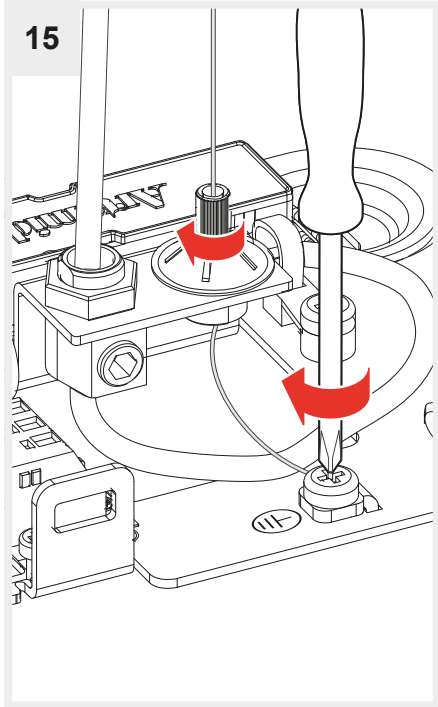




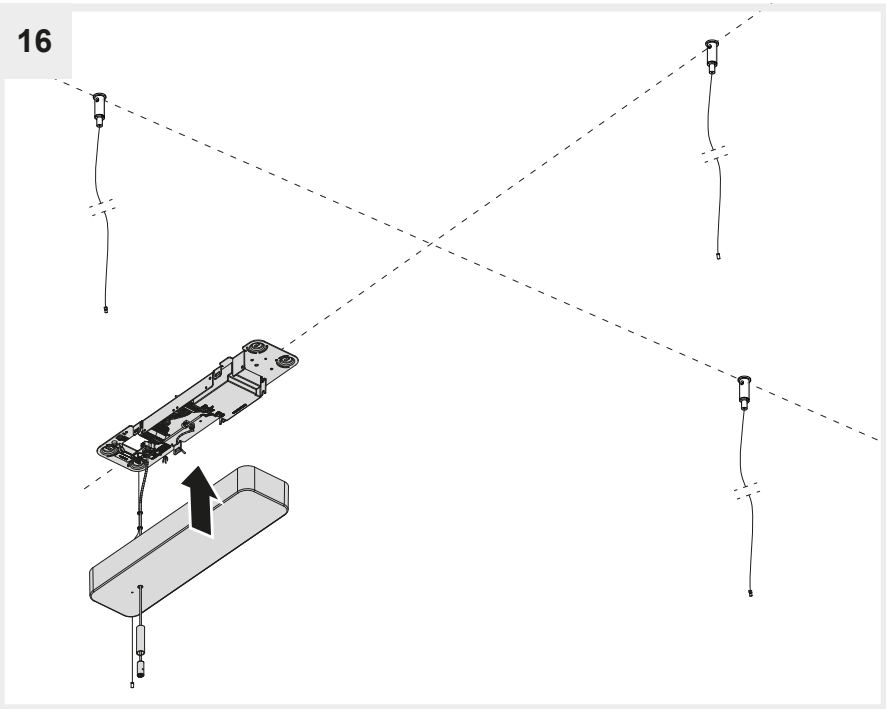
14

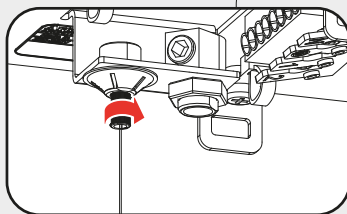
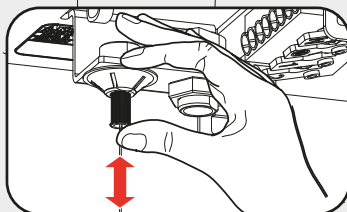
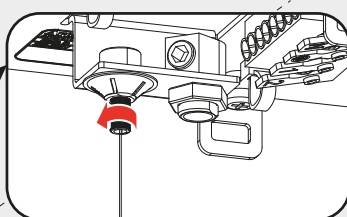
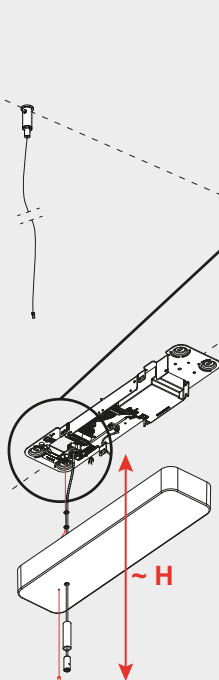
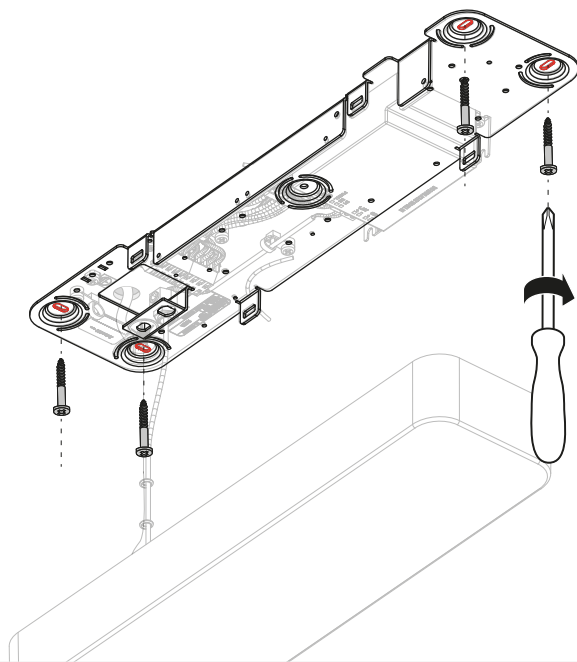


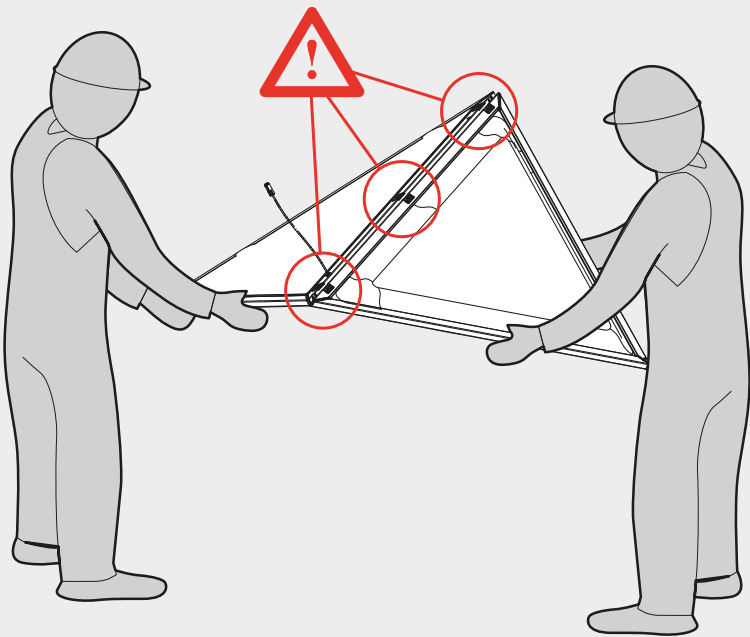
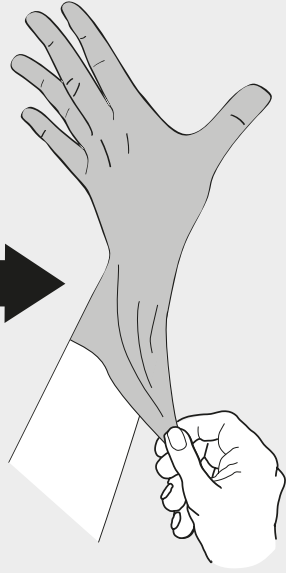
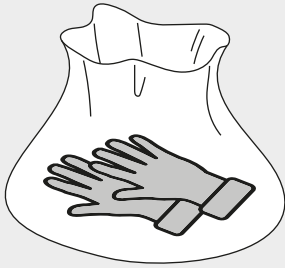
15

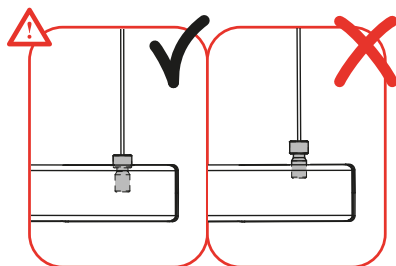
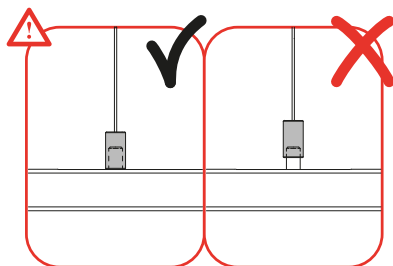
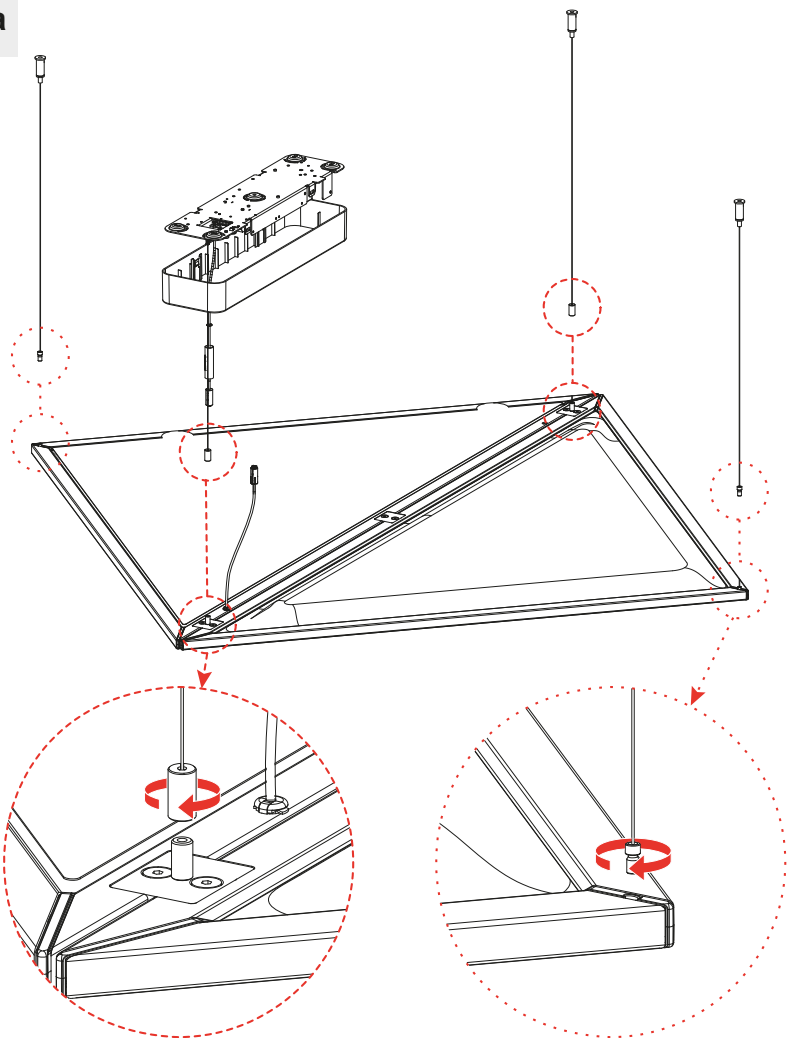


16





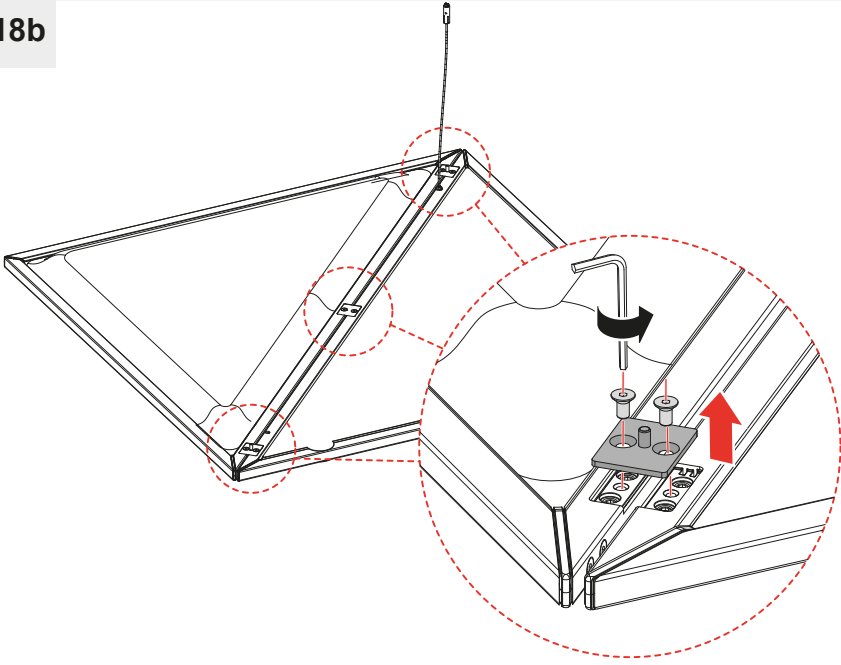




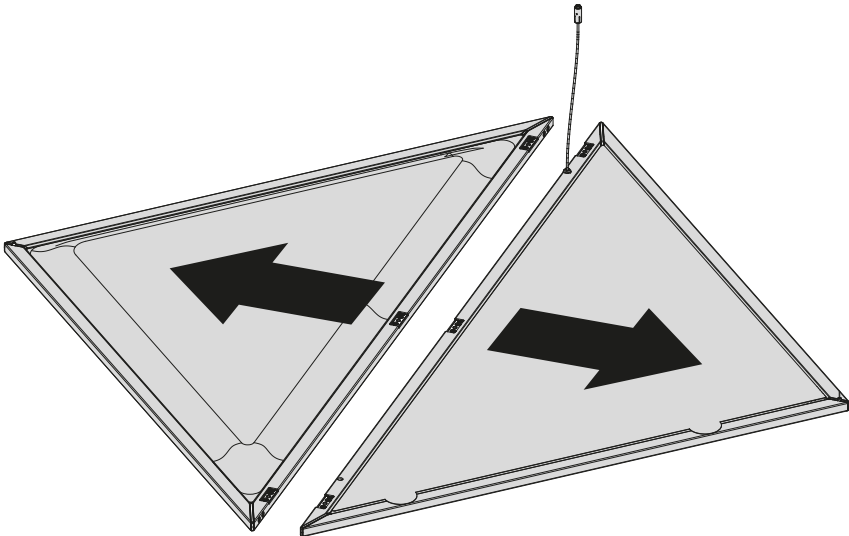
18b

120°

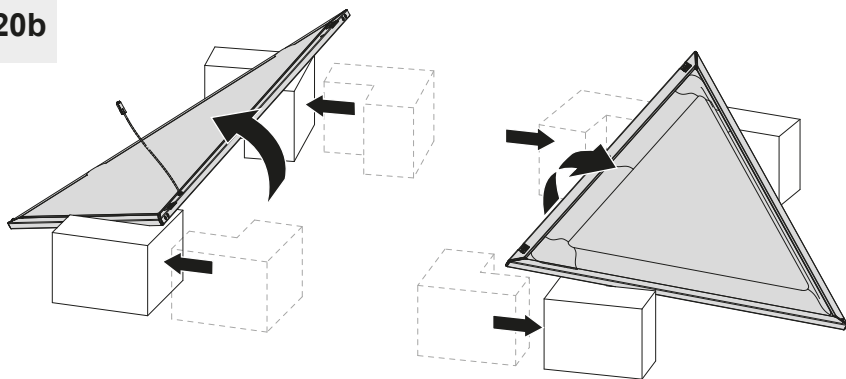
150°



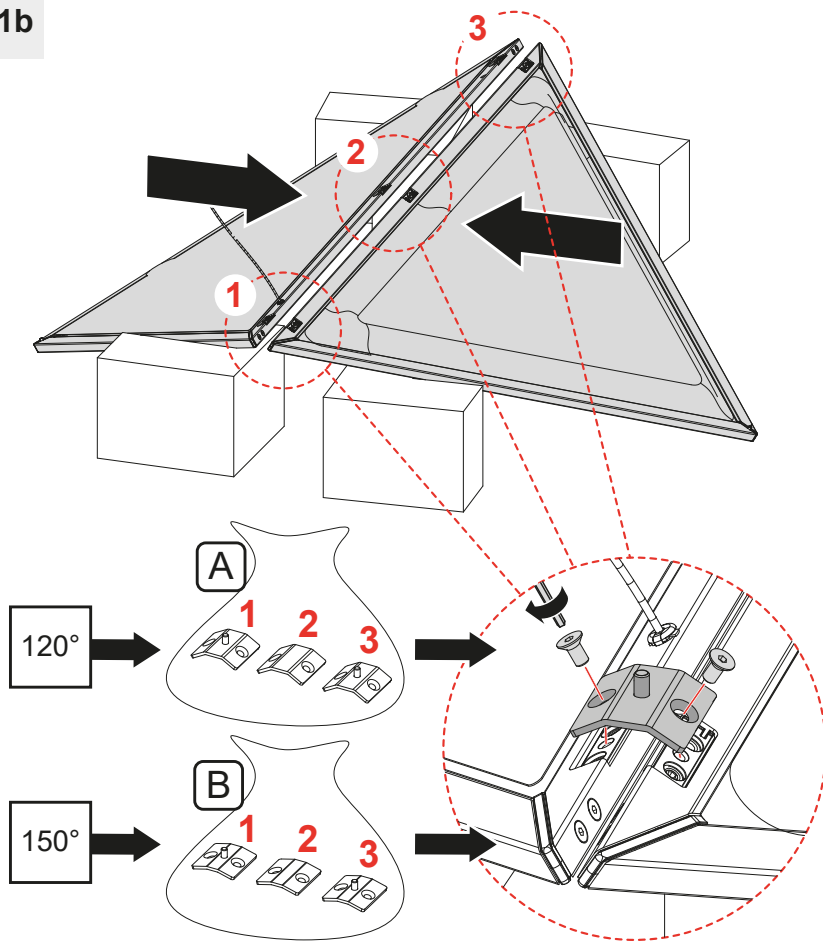
19b



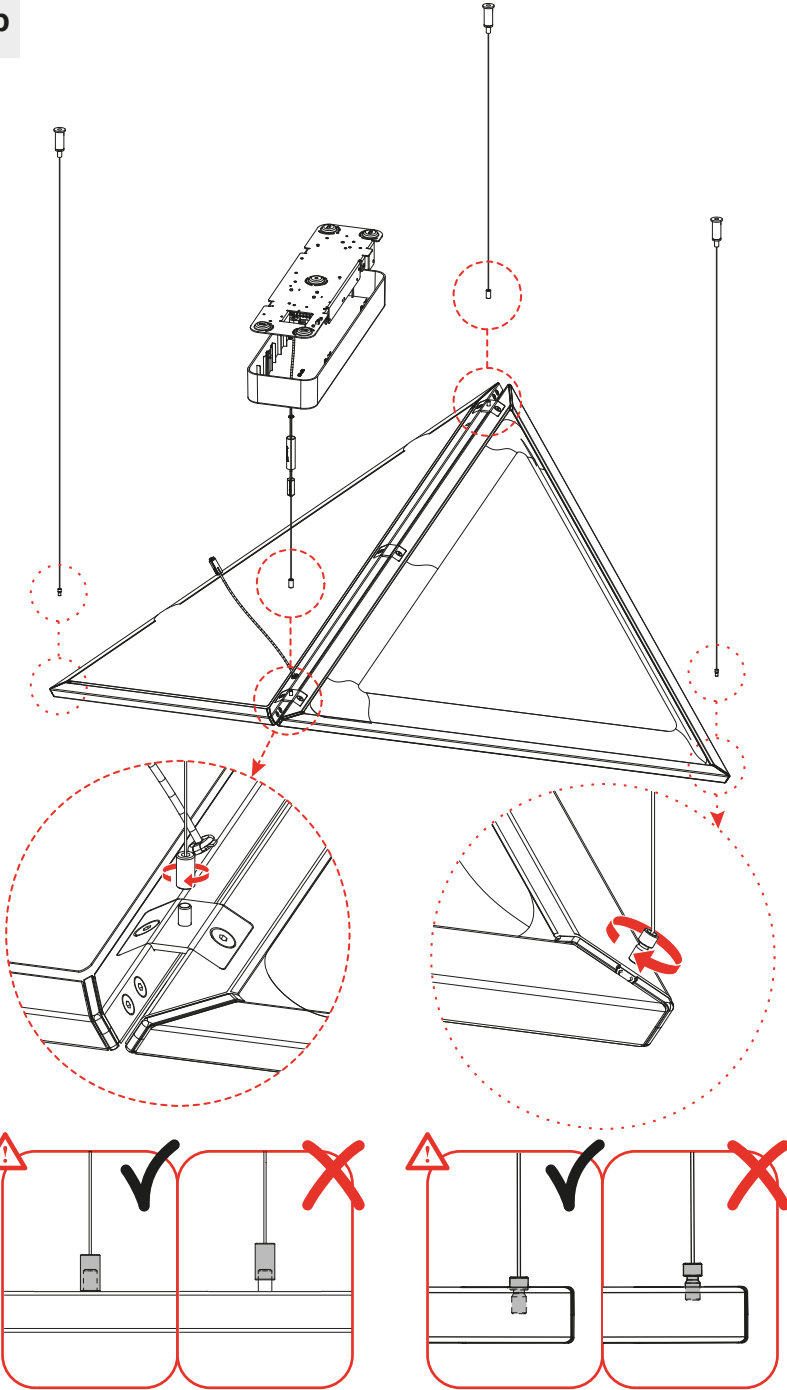
20b

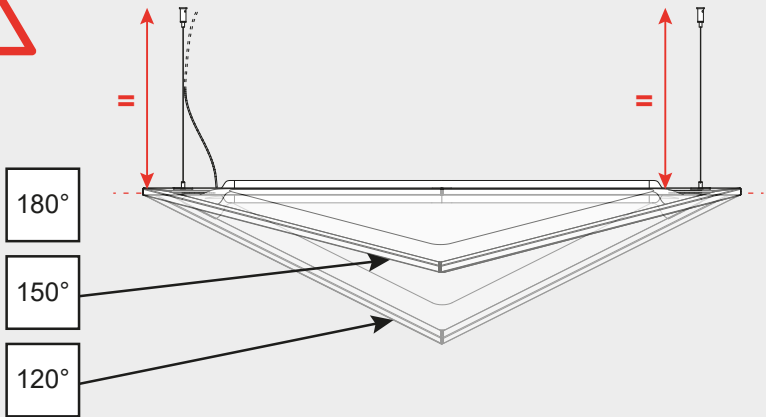
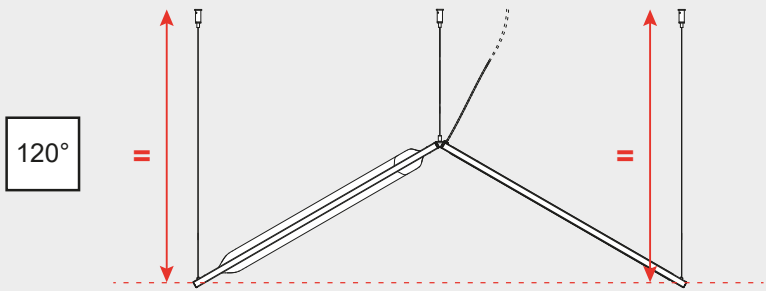
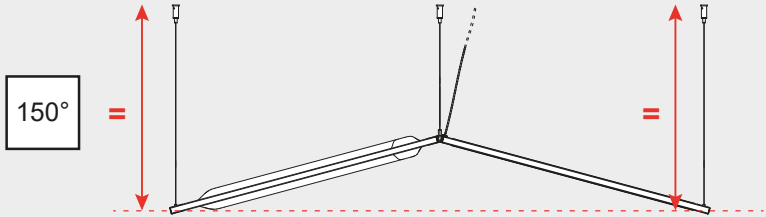
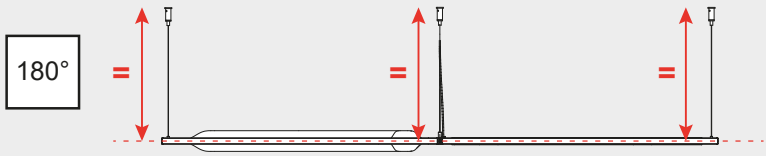


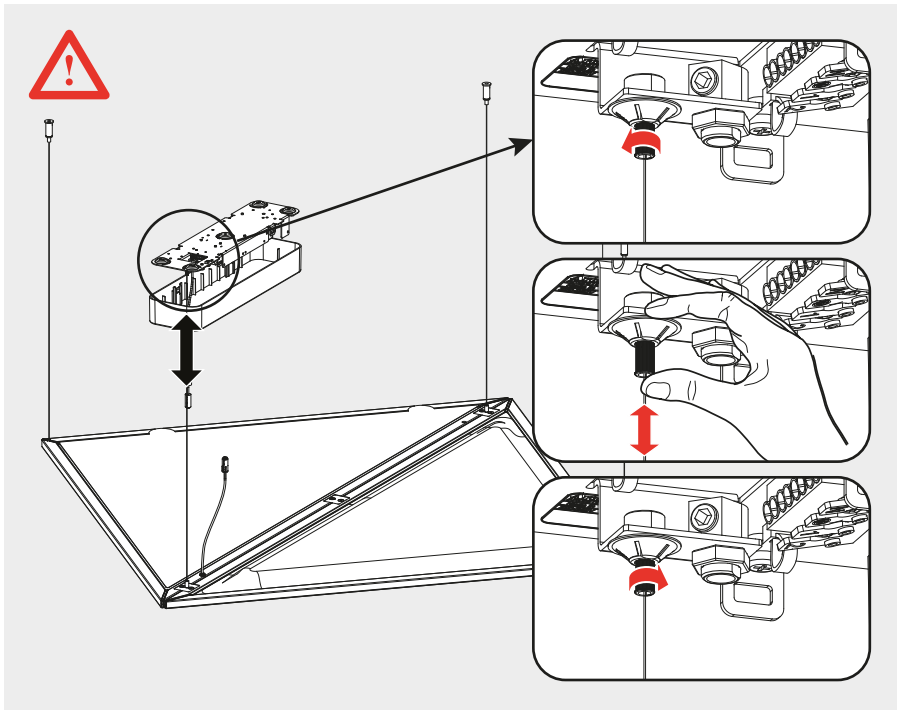
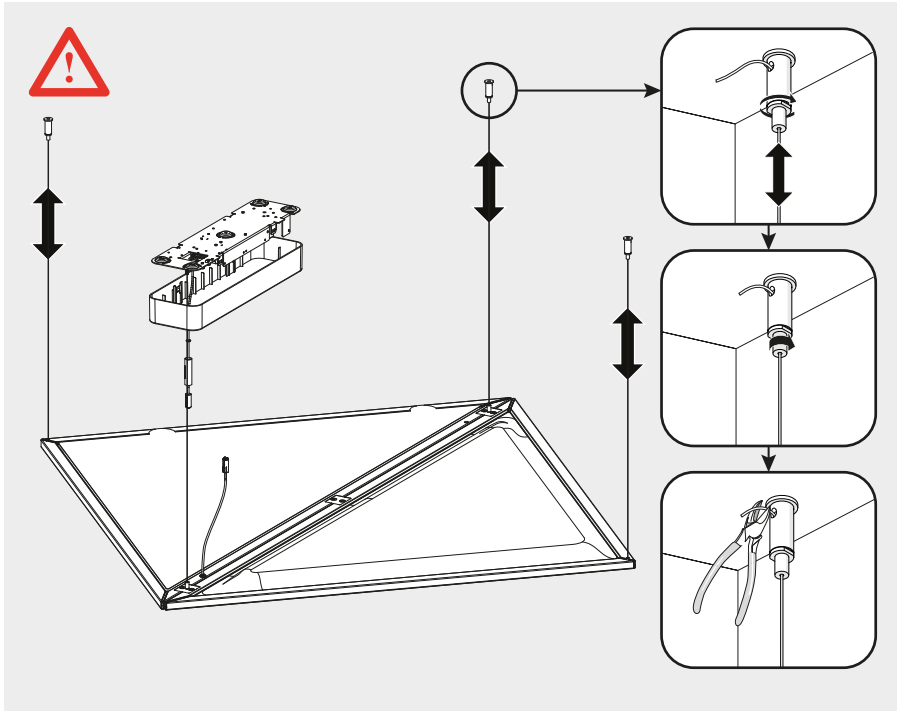
21b

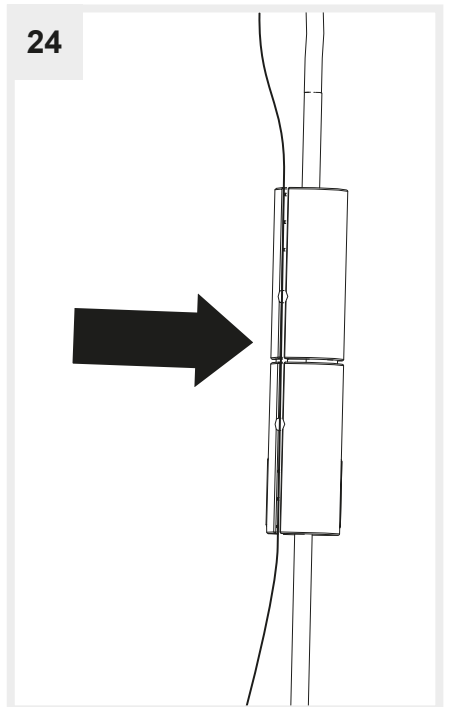
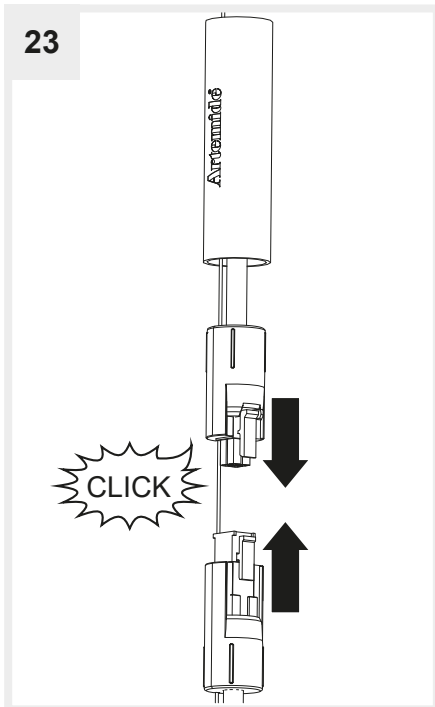
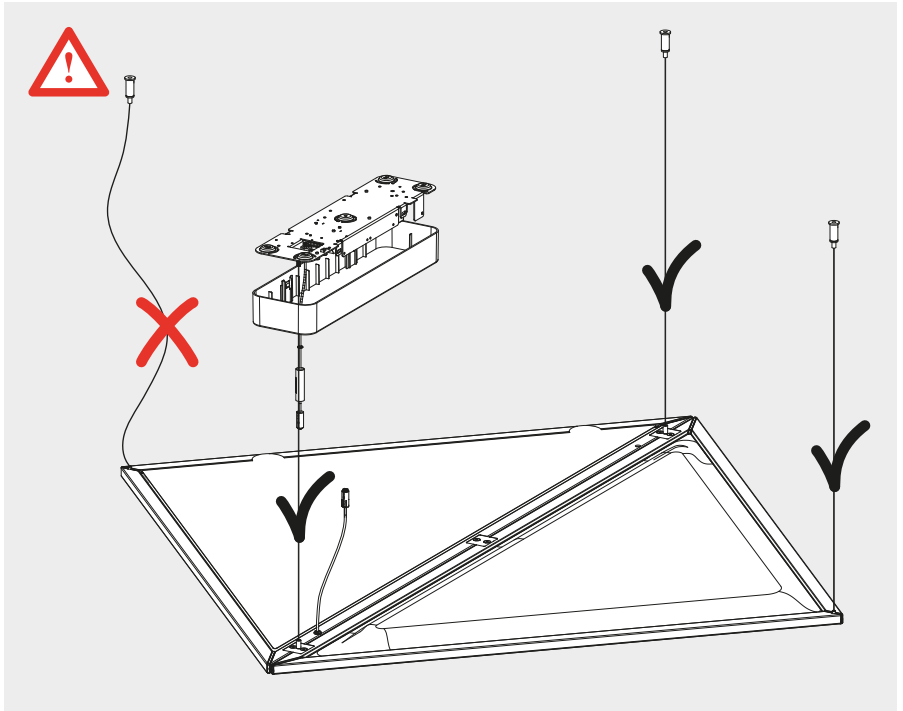


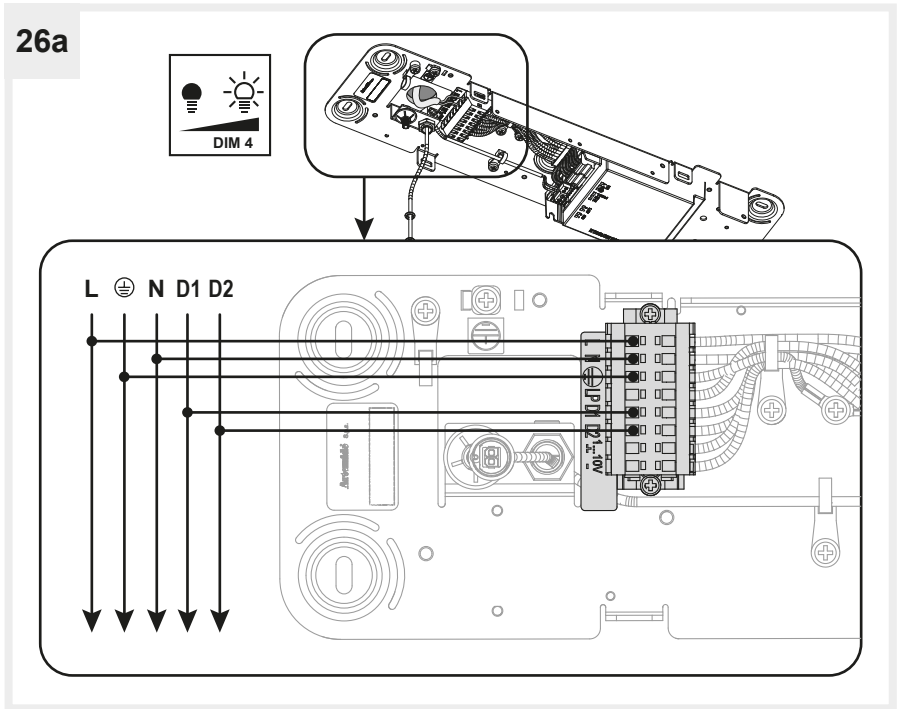
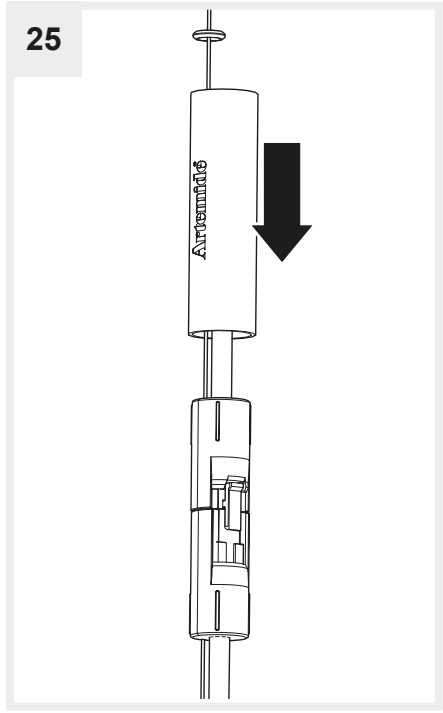
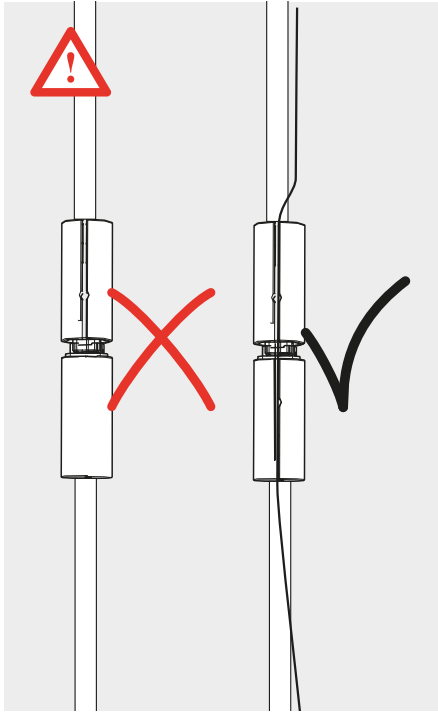
22b

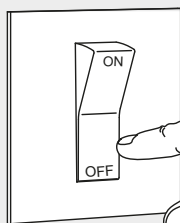
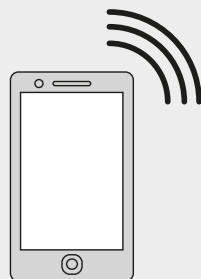
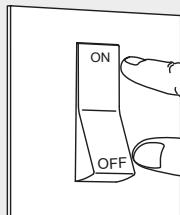
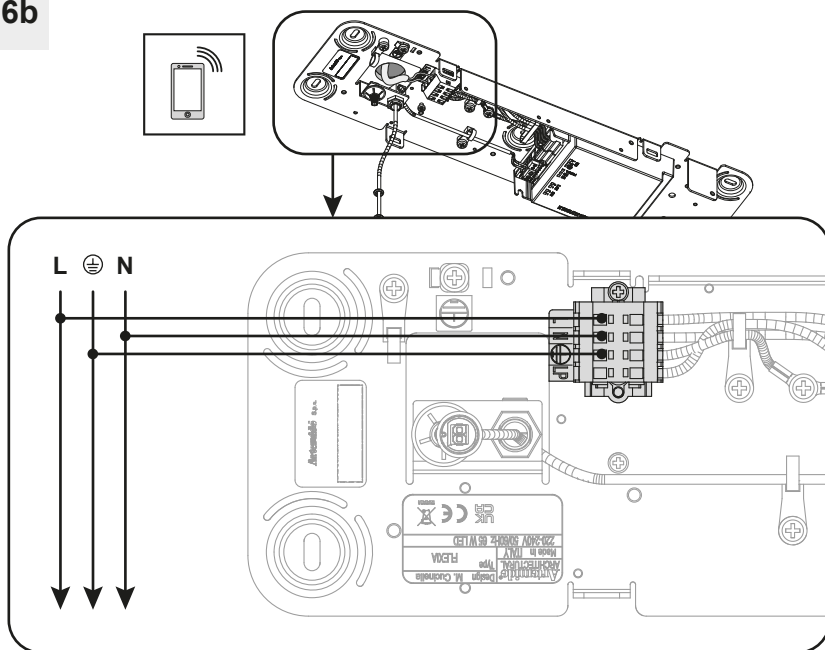




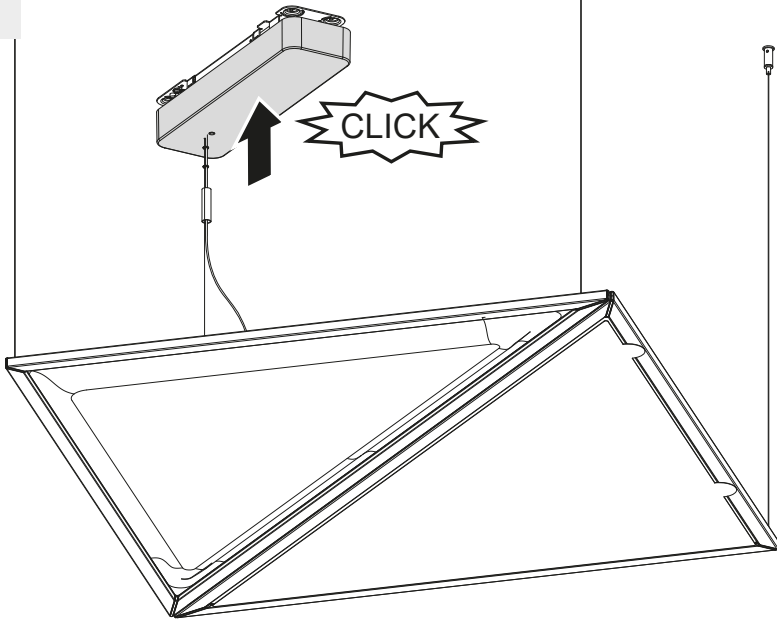




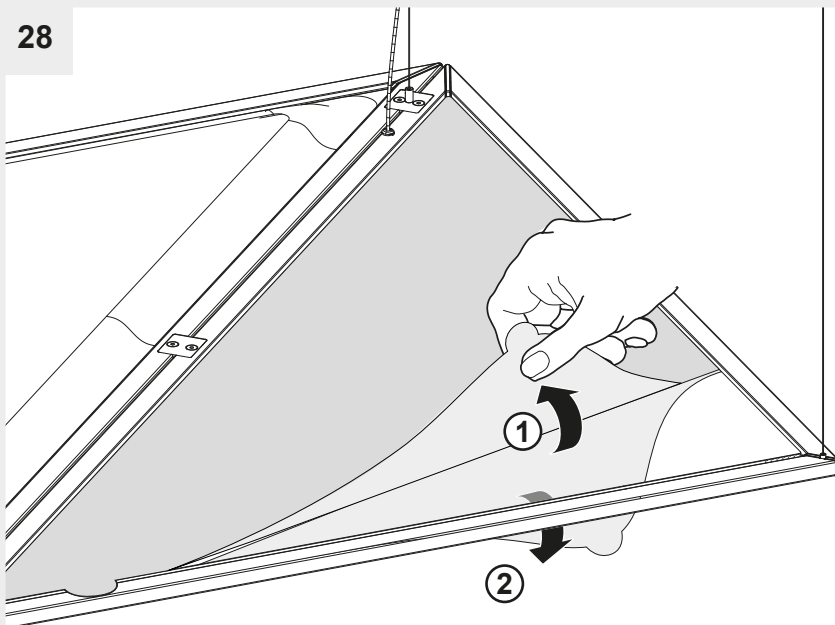


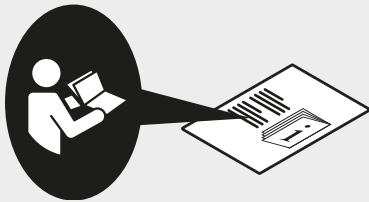
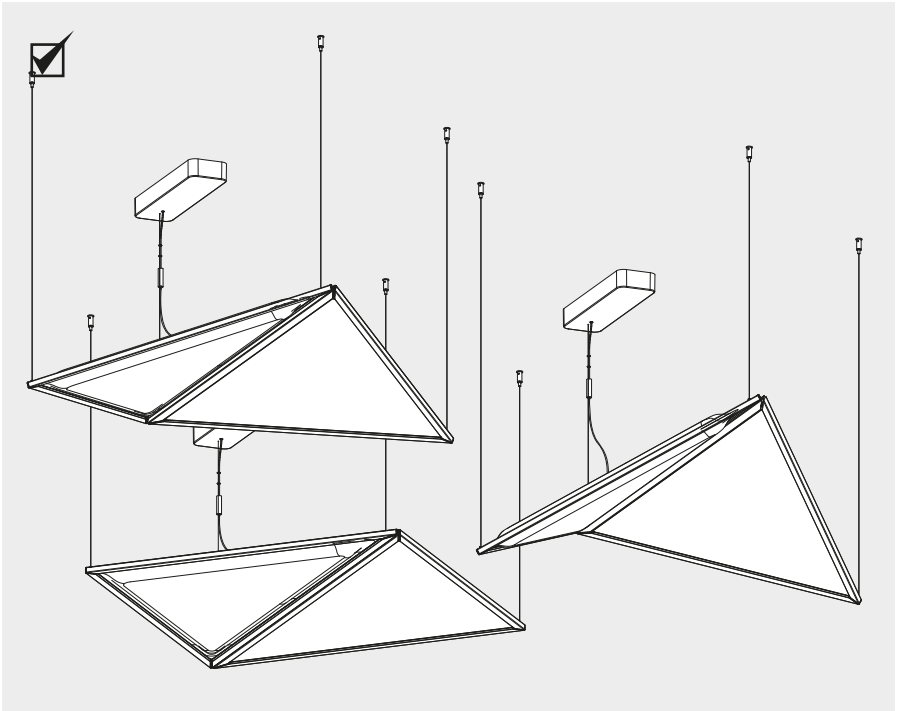


27



28

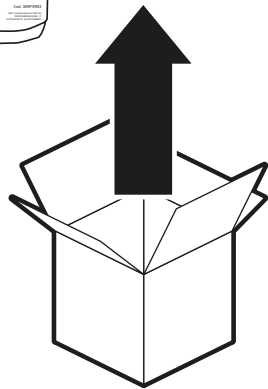


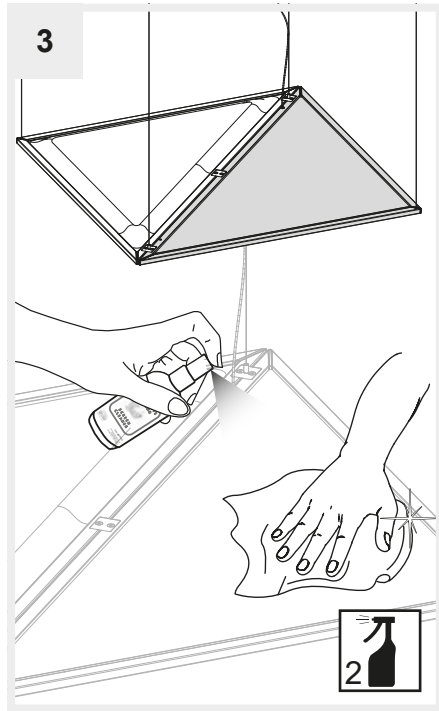
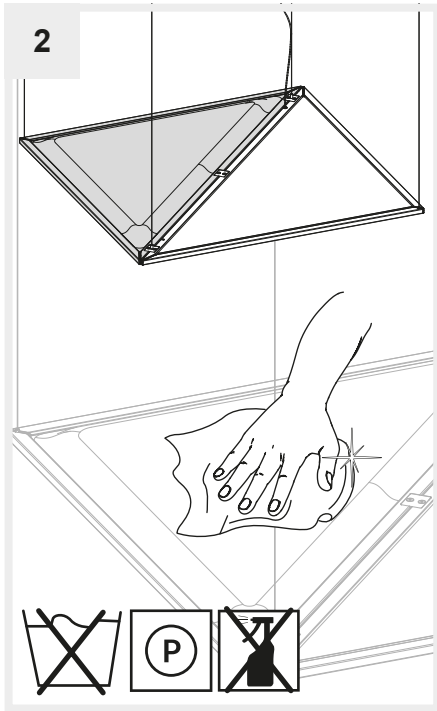


1

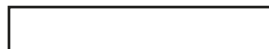


WAP4903





Artemide®



Artemide

via Bergamo, 18
20010 Pregnana M.se (MI)
ITALIA

tel. +39 02 935 181
fax +39 02 935 90 254
fax +39 02 935 90 496

www.artemide.com

VAT IT00846890150

cod. Y513001516A