

XAL MUSE LIGHT acoustic suspended

091-121163GF

PROJECT

TYPE

NOTES

QUANTITY

DATE

GENERAL

Ceiling

Suspended

felt grey

3670 lm/m

IP20

2200 lm

LED

4000 K

CRI ≥ 80

L90 / 50000 h

initial ≤ 3 MacAdam

OPTICAL

UGR < 19

$\geq 65^\circ < 1500$ cd/m²

PHYSICAL

Cable 1500 mm

length 1600 mm

width 45 mm

height 380 mm

3.9 kg

ELECTRICAL

DALI-2

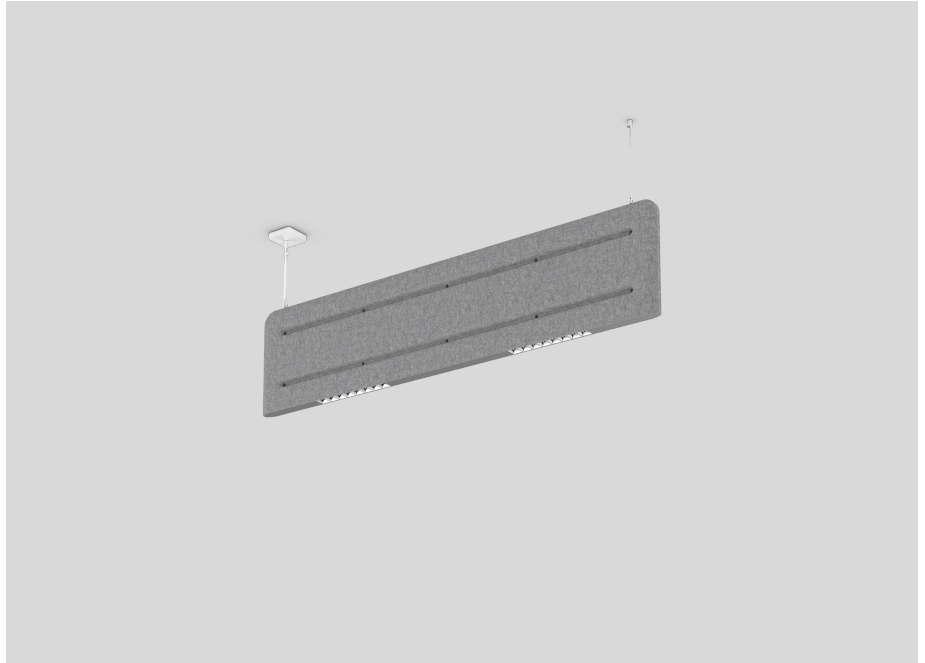
20 W

110 lm/W

1 DALI Addr.

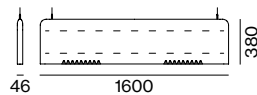
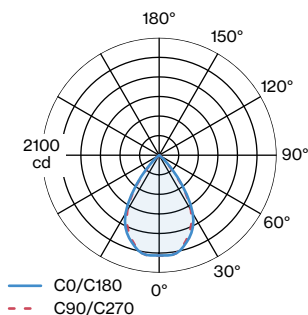
PC1 220-240V

34 W/m



Luminaire body made of high-quality, self-supporting polyester fleece with sound absorbing properties, consisting of 50% recycled PET; high-quality visual and tactile surface, felt grey; colour may deviate; constructed of 2 shells to form cavities that improve acoustic performance; large sound absorbing surface; suspended luminaire with 1500mm cable suspension; with integrated tool-less suspension height adjustment; spring clip attachment to the luminaire; freely positionable; incl. transparent feed; optimised for the illumination of office workstations; light inset made from extruded profile for improved thermal management; light colour 4000 K; Binning initial ≤ 3 MacAdam; CRI ≥ 80 ; min. 90% of luminous flux after 50000 operating hours; energy efficient LEDs with high CRI; high-quality, chromed reflector with faceted design; blind covers in gray; UGR ≤ 19 ; VDU compatible workplace luminaire according to DIN EN 12464-1; luminance above $65^\circ \leq 1500$ cd/m²; degree of protection IP20; PC1 220-240V; internal wiring in light halogen free; incl. DALI-2 converter;

Light Distribution





MUSE LIGHT acoustic suspended

091-121163GF

Circuit Breaker Types

Automatic Circuit Breaker Type	Number of Fixtures
B10	18
B13	23
B16	28
B20	35
C10	30
C13	38
C16	46
C20	58

Maintenance Factors

Operating Time [h]	10 000	20 000	30 000	40 000	50 000
LLMF	0.98	0.95	0.93	0.91	0.9
LSF	1	1	1	1	1

MF	$LMF \times RSMF \times LLMF \times LSF$	RSMF ^a	Room Surface Maintenance Factor
MF	Maintenance Factor	LLMF	Lamp Lumens Maintenance Factor
LMF ^a	Luminaire Maintenance Factor	LSF	Lamp Survival Faktor

^a According to "CIE 97, Maintenance of indoor electric lighting systems", 2005, ISBN 3-900-734-34-8. The values must be determined by the planner.