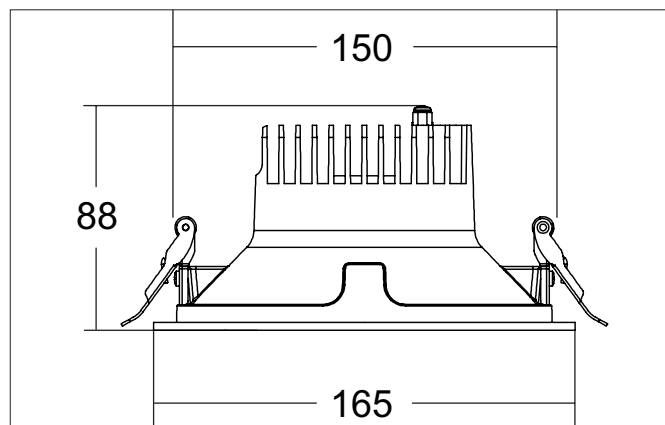


**APOLLO MIDI LED downlight, round, DALI**

Article no. 41613174DA

Light.  
For Generations.**Tender**

LED downlight, round, DALI, Round. Toolless ceiling installation by installation springs. Ceiling cut-out  $\varnothing$  150 mm, Installation depth 88 mm, Outer diameter 165 mm, Reflector silver with rotationssymmetrical, deep, wide distributed light intensity. optimal light distribution due to a plastic, transparent cover. Luminous flux 1.743 lm, Power 1 x 14 W, Light colour neutral white, Correlated color temperature (CCT) 4.000 K, Colour rendering index CRI > 90, Housing material: Aluminium / Glass / Plastic, Colour: White structure, Permissible ambient temperature (ta): -20 °C - +25 °C, Protection class (EN 61140): II, Degree of protection (DIN EN 60529): IP20, .With electronic driver, DALI dimmable.

| Article data       |                             |
|--------------------|-----------------------------|
| Article no.        | 41613174DA                  |
| GTIN               | 4251433989653               |
| Series name        | APOLLO MIDI                 |
| Short description  | LED downlight, round, DALI  |
| Material           | Aluminium / Glass / Plastic |
| Colour             | White                       |
| Type of surface    | Structure                   |
| Shape              | Round                       |
| Outer diameter     | 165 mm                      |
| Built-in diameter  | 150 mm                      |
| Installation depth | 88 mm                       |
| Weight             | 0.440 kg                    |

**APOLLO MIDI LED downlight, round, DALI**

Article no. 41613174DA

Light.  
For Generations.

| Lighting technology          |           |
|------------------------------|-----------|
| Colour temperature           | 4.000 K   |
| Light colour                 | White     |
| Light output                 | Direct    |
| Luminous flux                | 1,743 lm  |
| System efficiency            | 124 lm/W  |
| Colour rendering             | CRI > 90  |
| Reflector                    | Faceted   |
| Reflektorfarbe               | silver    |
| Beam angle                   | 55°       |
| Light sharing                | Symmetric |
| Adjustable color temperature |           |

| Operating technology of the luminaire |  |
|---------------------------------------|--|
| Voltage type                          | AC   |
| AC nominal voltage max                | 230 V  |
| Frequenz max.                         | 50 Hz  |
| Lamp                                  | LED  |
| Lamp holder                           | LED  |
| Protection class                      | II   |
| Degree of protection                  | IP20   |
| Control                               | DALI   |
| Bulb change possible                  | The light source of this luminaire may only be replaced by the manufacturer or a service technician commissioned by him or a similarly qualified person. |
| Rated life time L80/B50 at 25 °C      | 50.000 h   |

| Mounting technology         |   |
|-----------------------------|---|
| Mounting method             | Recessed mounting                         |
| Place of installation       | Ceiling-mounted                           |
| Adjustability               | Not adjustable                            |
| Further references          | No cover with thermal insulation material |
| Material cover              | Plastic, transparent                      |
| Suitable for through-wiring | No  |

| Packing data            |   |
|-------------------------|---|
| Gross weight            | 0.47 kg   |
| Length of packaging     | 165 mm  |
| Packaging width         | 165 mm  |
| Packaging height        | 80 mm   |
| Disposal at end of life | This product must not be disposed of with household waste. You are obliged, to dispose of such electrical waste separately.<br>By disposing of electrical waste and other old or defective electronics separately, you support recycling or other forms of re-use. In that way you help to take care and to avoid that harmful substances get into the environment. |

| Accessories |  |
|-------------|--|
|             |  |