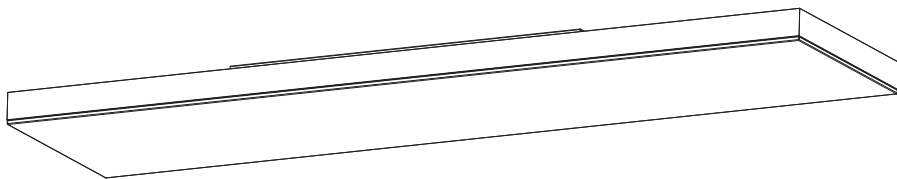
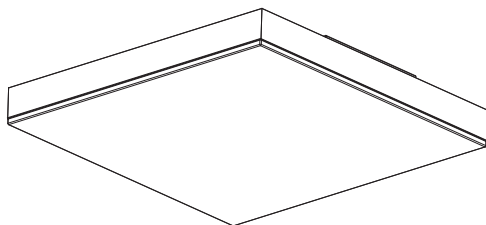
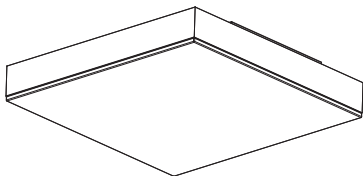
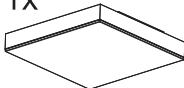


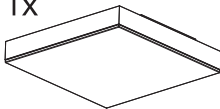



SMART⁺ PLANON FRAMELESS SPARKLE





	EAN	W	lm light source	lm output	K	⌀ (°C)	V~	mA	Hz	DF
SMART WIFI PLANONFL SPARK 300X300TW	4058075759527	21	1800	850	3000-6500	-20...+40	220-240	107	50/60	≥0.7
SMART WIFI PLANONFL SPARK 450X450TW	4058075759541	24.5	2250	1300	3000-6500	-20...+40	220-240	135	50/60	≥0.7
SMART WIFI PLANONFL SPARK1200X300TW	4058075759589	38	4200	2300	3000-6500	-20...+40	220-240	164	50/60	≥0.9

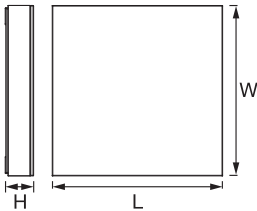
1x  **1135 g**
4058075759527

1x  **1860 g**
4058075759541

1x  **3200 g**
4058075759589


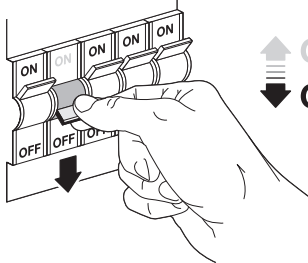
4x  4x 

mm



	L	W	H
SPARK 300X300TW	300	300	63
SPARK 450X450TW	450	450	63
SPARK 1200X300TW	1200	300	63

1

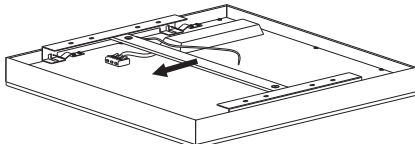



ON
ON
ON
ON

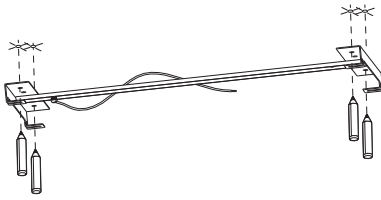
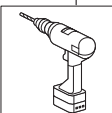
OFF
OFF
OFF
OFF

↑ ON
↓ OFF

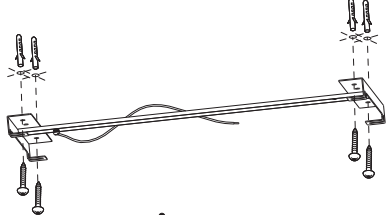

2

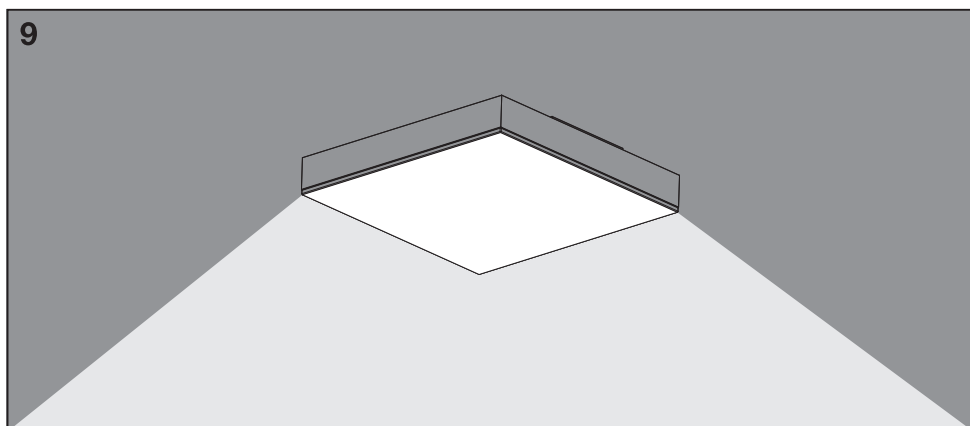
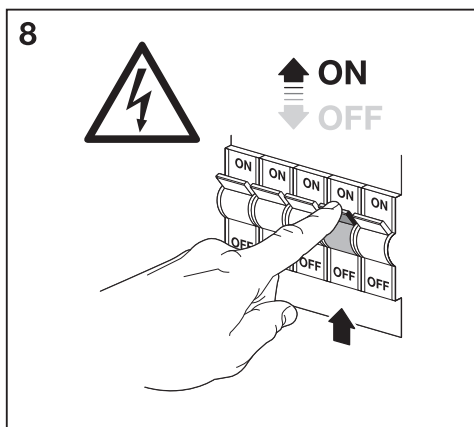
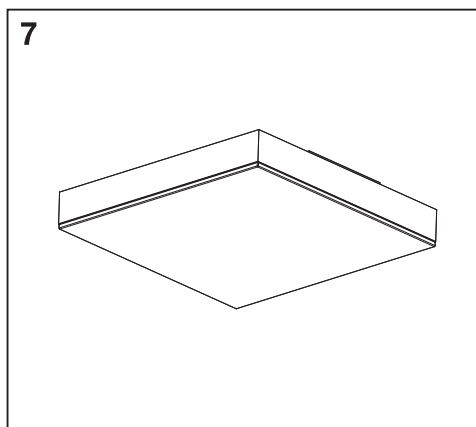
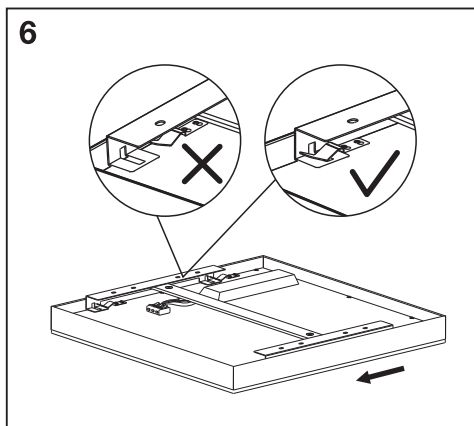
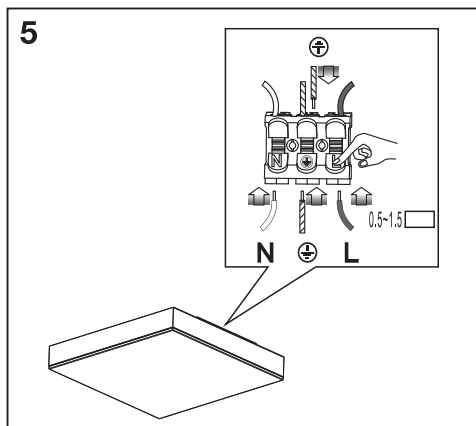





3

4



	EAN	This product contains a light source of energy efficiency class	Contained Light Source
SMART WIFI PLANONFL SPARK 300X300TW	4058075759527	F	contains 4 light sources 
SMART WIFI PLANONFL SPARK 450X450TW	4058075759541	F	contains 5 light sources 
SMART WIFI PLANONFL SPARK1200X300TW	4058075759589	E	contains 4 light sources 



FR

Cet appareil se recycle

À DÉPOSER EN MAGASIN

OU

À DÉPOSER EN DÉCHÈTERIE

Points de collecte sur www.quefairedemesdechets.fr

C10449057
G11137058
05.05.2022



LEDVANCE GmbH
Steinerne Furt 62
86167 Augsburg, Germany
www.ledvance.com