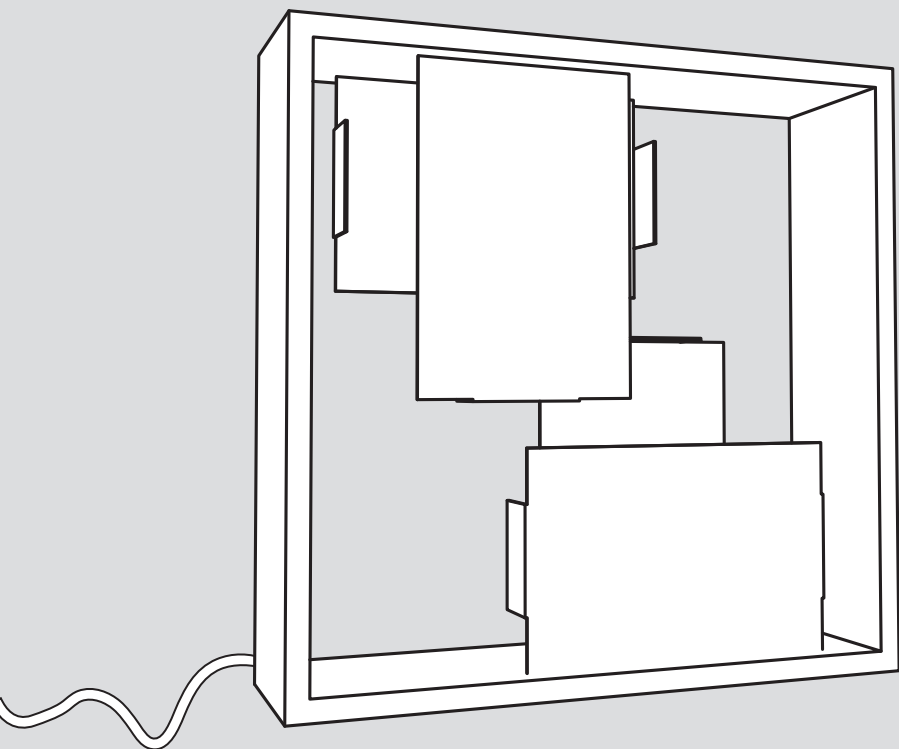


Artemide®

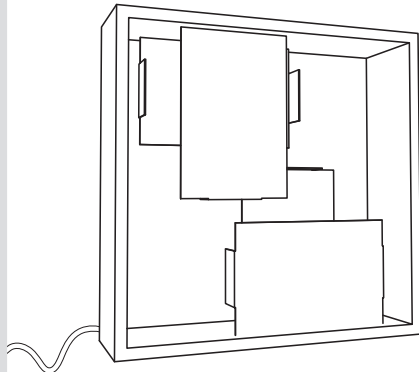
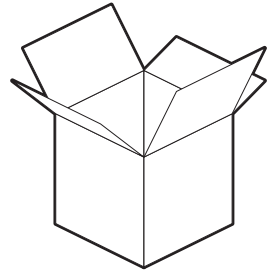
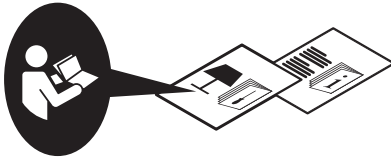
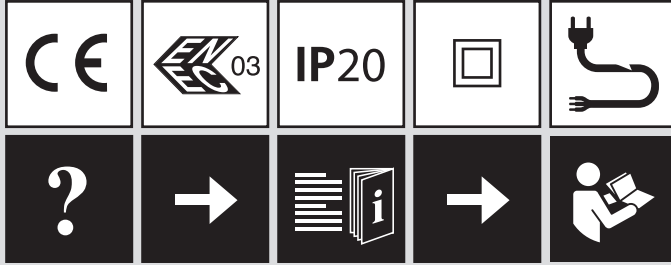
Fato

design
Gio Ponti

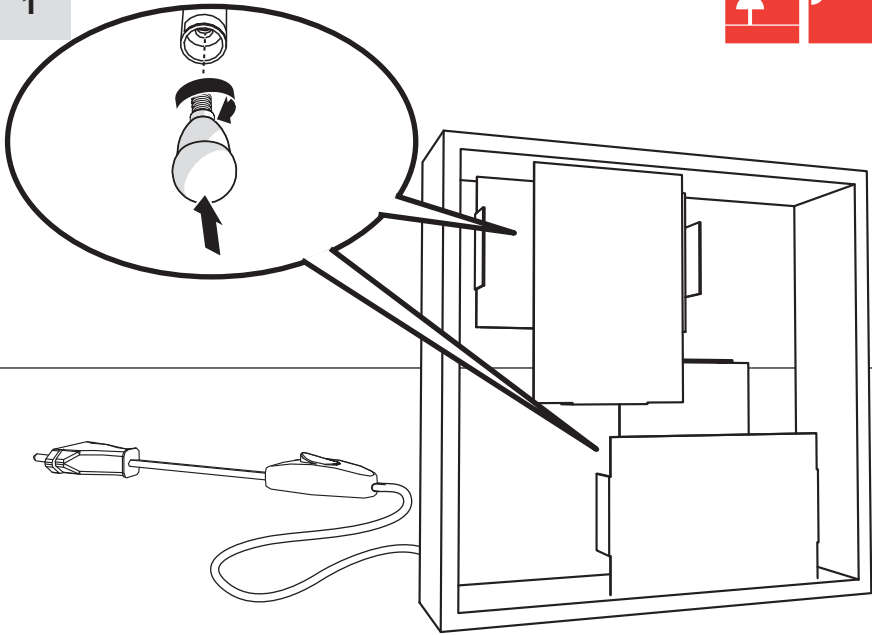




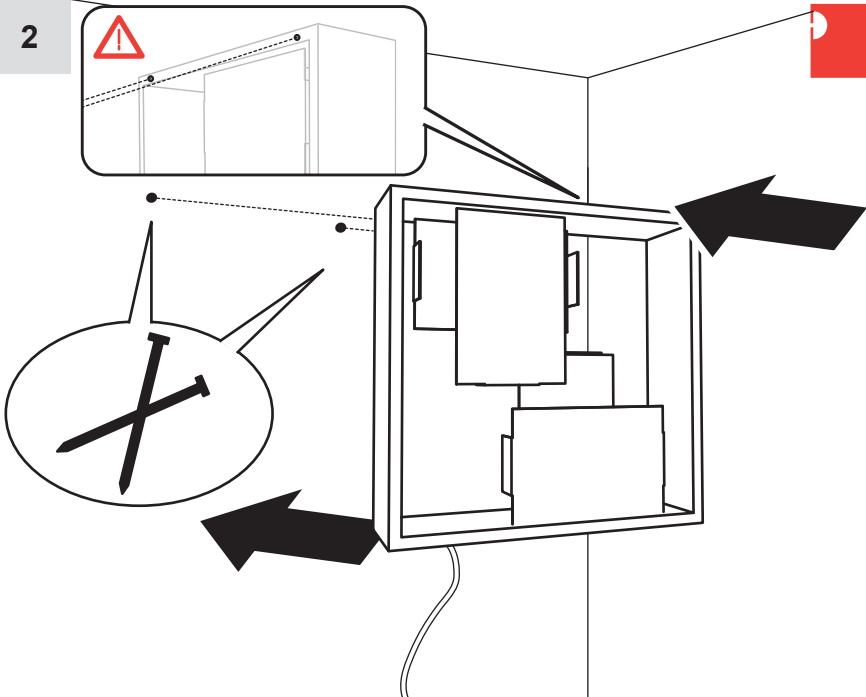
i

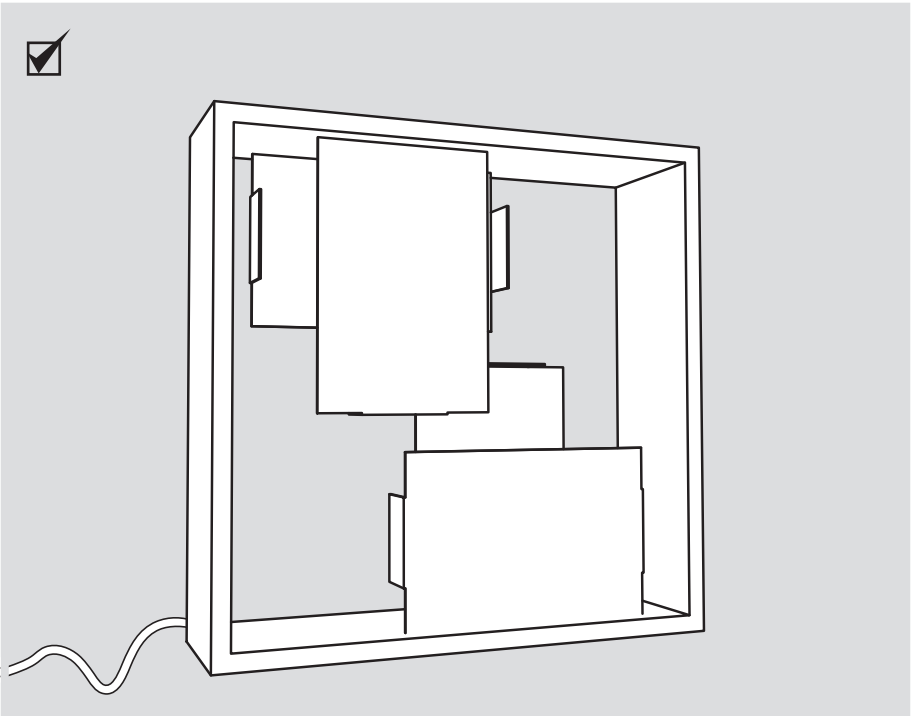
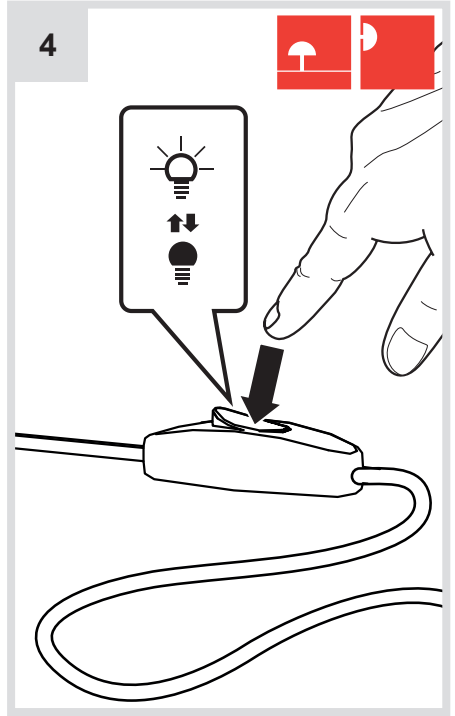
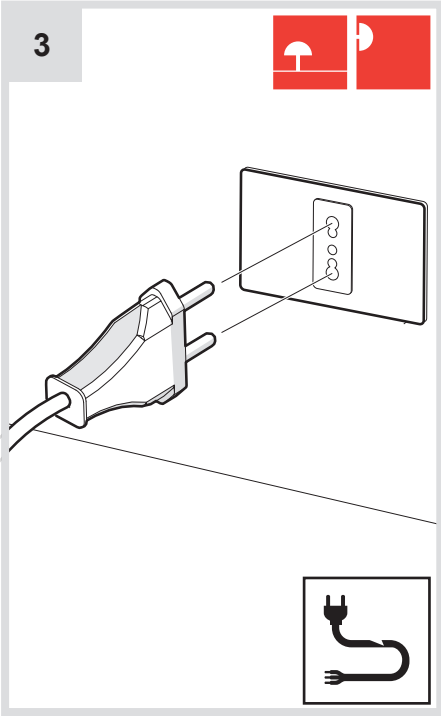


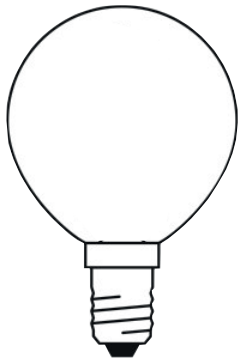
1



2



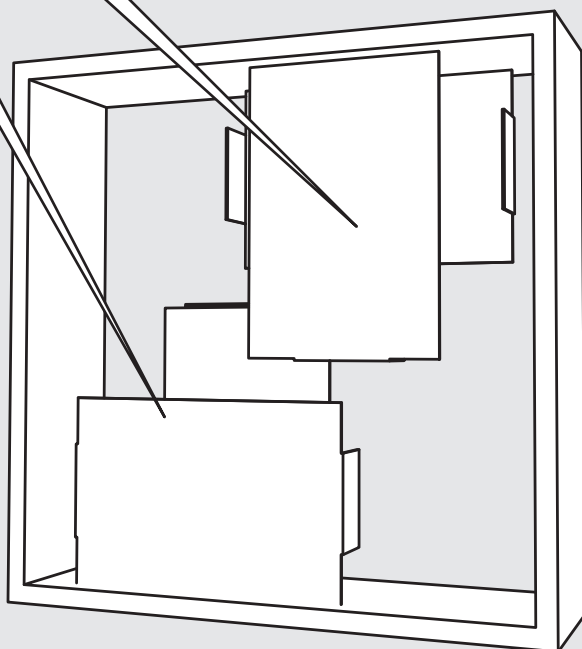


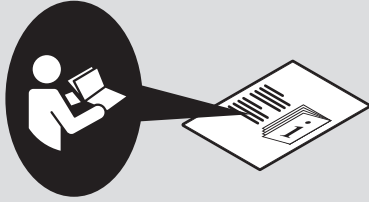


MAX 30W - E14

Halo: HSG - 400 lm

LED: DRBP - 370 lm





Artemide®



Artemide

via Bergamo, 18
20010 Pregnana M.se (MI)
ITALIA

tel. +39 02 935 181
fax +39 02 935 90 254
fax +39 02 935 90 496

www.artemide.com

VAT IT00846890150

cod. Y513000541