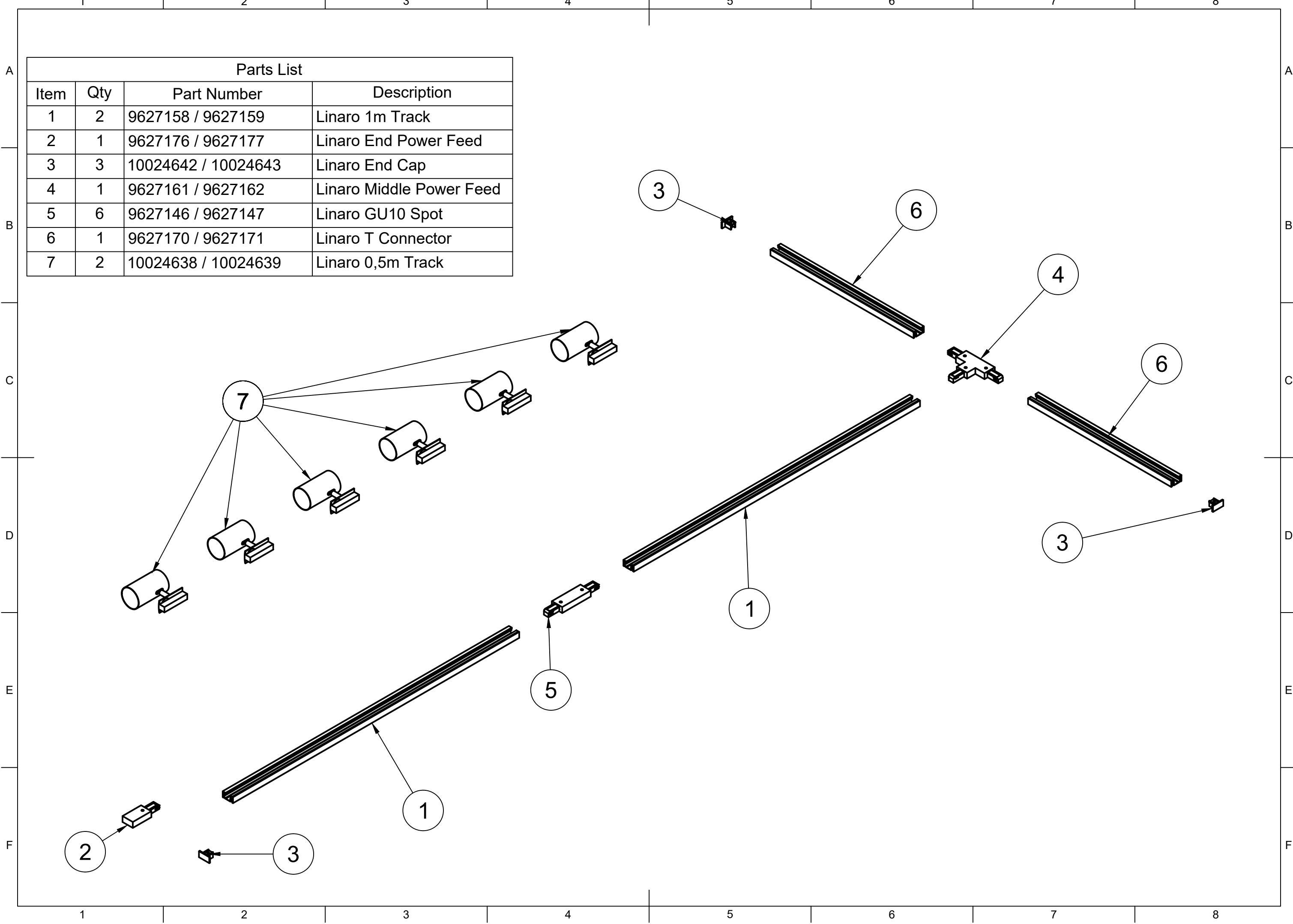
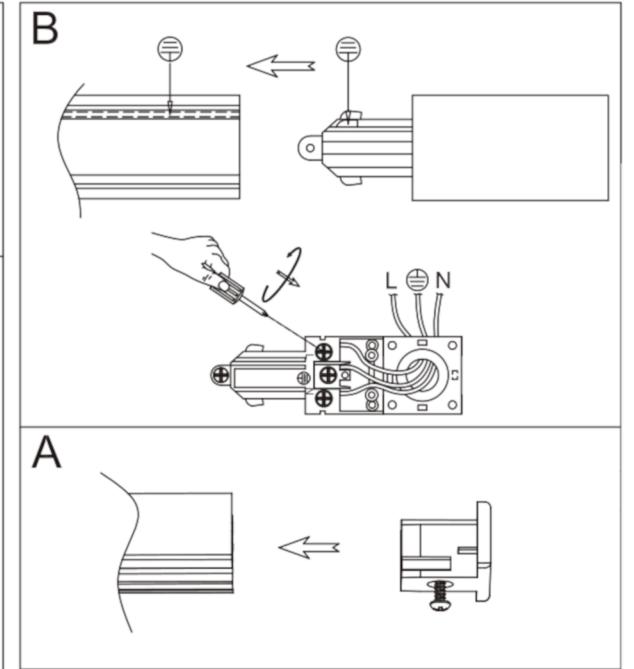
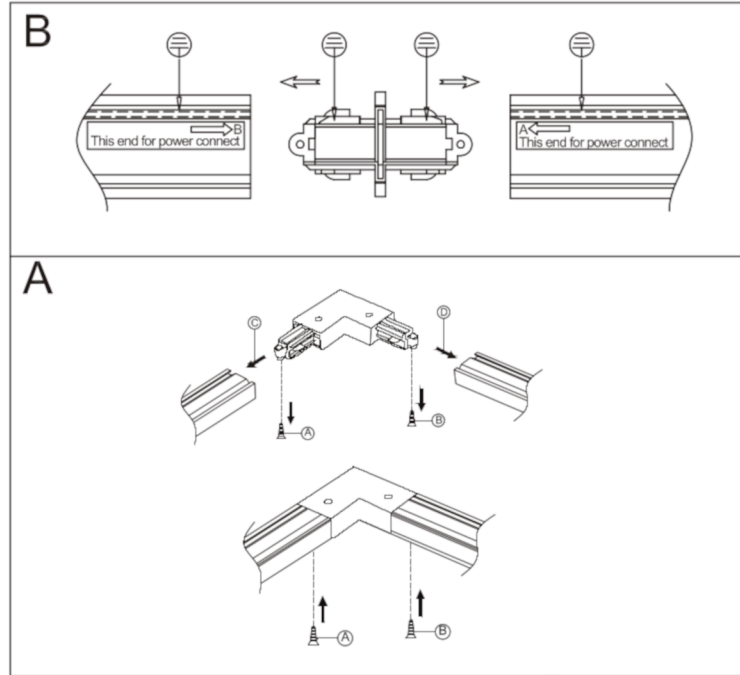
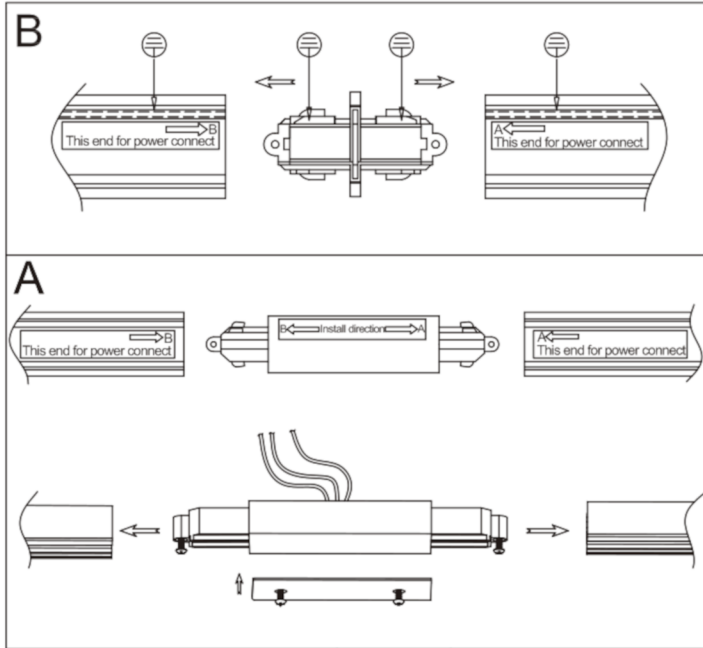
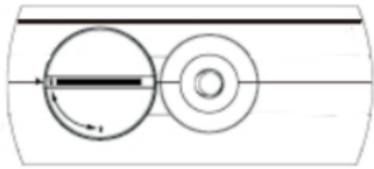


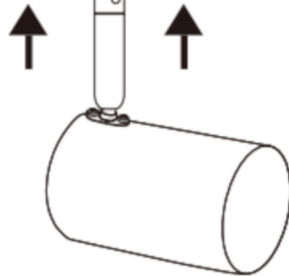
| Parts List |     |                     |                          |
|------------|-----|---------------------|--------------------------|
| Item       | Qty | Part Number         | Description              |
| 1          | 2   | 9627158 / 9627159   | Linaro 1m Track          |
| 2          | 1   | 9627176 / 9627177   | Linaro End Power Feed    |
| 3          | 3   | 10024642 / 10024643 | Linaro End Cap           |
| 4          | 1   | 9627161 / 9627162   | Linaro Middle Power Feed |
| 5          | 6   | 9627146 / 9627147   | Linaro GU10 Spot         |
| 6          | 1   | 9627170 / 9627171   | Linaro T Connector       |
| 7          | 2   | 10024638 / 10024639 | Linaro 0,5m Track        |





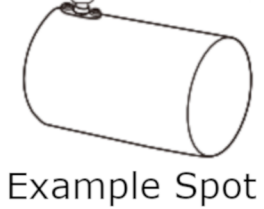


Please check the diection.  
Earth connection is only given  
when line on the base of the  
spot is on the same side as the  
line on the track



Example Spot

unlocked



Example Spot

locked

